



**ZUMTOBEL**

## **Quick Ship Program**

Effective September 23, 2013  
Supersedes all previous  
guides

ZOOM! 10 Days Program  
Ready to Ship Program



## ZOOM! 10 Days Terms & Conditions

- ZOOM! 10 Days products ship within (10) business days if received by 12:00pm ET. ZOOM! 10 Days orders received after 12:00pm ET ship within (11) business days.
- Place your order through your Zumtobel client services representative.
- Maximum quantities are listed on each page. For orders requiring more than the shown maximum quantities, please contact your Zumtobel client services representative to work out a shipping schedule.
- Mixed orders (containing ZOOM! 10 Days items, and non-ZOOM! 10 Days items) will be given a ship date of the longest lead time on the order unless we are able to ship earlier. To avoid misunderstandings, we suggest that you place a separate order for ZOOM! 10 Days items.
- Freight allowance for ZOOM! 10 Days orders requires a minimum \$2,000 order.
- Standard Zumtobel Lighting Terms & Conditions (as they appear in our Price Guide) apply. Contact your Zumtobel client services representative for more information.

## Ready To Ship Terms & Conditions

- In stock Ready To Ship products ship within (2) business days if received by 12:00pm ET. Ready To Ship orders received after 12:00pm ET ship within (3) business days.
- Check available quantities online at [www.zliorderstatus.com](http://www.zliorderstatus.com). Place your order by emailing [ZOOM!Stock@zumtobel.com](mailto:ZOOM!Stock@zumtobel.com). For orders requiring more than the shown available quantities, please contact your Zumtobel client services representative to work out a shipping schedule.
- Mixed orders (containing Ready To Ship, and non-Ready To Ship items) will be given a ship date of the longest lead time on the order unless we are able to ship earlier. To avoid misunderstandings, we suggest that you place a separate order for Ready To Ship items.
- If an item is not in stock, we will ship up to 50 pieces within 10 days. For larger quantities, please contact your Zumtobel client services representative.
- Freight allowance for Ready To Ship orders requires a minimum \$2,000 order.
- Standard Zumtobel Lighting Terms & Conditions (as they appear in our Price Guide) apply. Contact your Zumtobel Lighting client services representative for more information.



## BASYS LED

4" Round, 3000K  
Downlight

- All options come with Dimming Driver, Clear Semi-Specular Reflector, and Natural Flange.
- Designed and built for maximum visual comfort, performance, and efficacy.
- Shallow 4 15/16" housing is perfect for applications with restricted plenum space.
- No visible LED "dots".
- Optimized thermal management, and built-in heat sink.
- CCT=3000K, CRI = 85 typical.
- FIF 758

### BASYS LED Housing

RTS	BR4DLED		K30	MS55				
	HOUSING	WATTAGE	CCT	DISTRIBUTION	DRIVER	OPTIONS	ORDERING PART NUMBER	MAX QTY
RTS	BR4DLED BASYS Round 4" Recessed Downlight	16W 1000 lm	K30 3000K	MS55 Medium Distribution 55° cutoff	D1 Standard 0-10V Dimming Driver, 10%, 120V	-	11005440	100
						EM1 Standby Battery Pack, 5W, 290 lm, 120V	11006094	15
					D2 Standard 0-10V Dimming Driver, 10%, 277V	-	11001558	20
						EM2 Standby Battery Pack, 5W, 290 lm, 277V	11001599	5
		25W 1400 lm	K30 3000K	MS55 Medium Distribution 55° cutoff	D1 Standard 0-10V Dimming Driver, 10%, 120V	-	11006398	100
						EM1 Standby Battery Pack, 5W, 290 lm, 120V	11006394	15
					D2 Standard 0-10V Dimming Driver, 10%, 277V	-	11002104	20
						EM2 Standby Battery Pack, 5W, 290 lm, 277V	11017159	5

### BASYS LED Trim

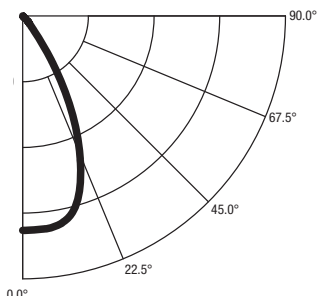
RTS	BR4DLED	55	CS	N		
	TRIM	CUTOFF	TRIM FINISH	FLANGE	OPTIONS	ORDERING PART NUMBER
RTS	BR4DLED BASYS Round 4" Recessed Downlight	55 55° cutoff	CS Clear Semi-Specular	N Natural	-	05507842
					E Standby Battery Pack, test switch	05508121

### BASYS LED Mounting

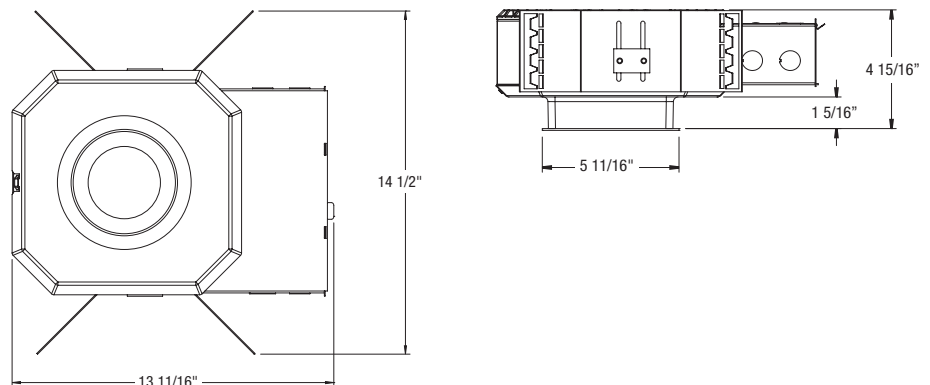
RTS	9930	9930
	MOUNTING DESCRIPTION	ORDERING PART NUMBER
RTS	9930 Set of two 27" C-Channel mounting bars	9930

### Photometry

#### Candela Distribution



### Fixture Dimensions





## BASYS LED

- All options come with Dimming Driver, Clear Semi-Specular Reflector, and Natural Flange.
- Designed and built for maximum visual comfort, performance, and efficacy.
- Shallow 4 15/16" housing is perfect for applications with restricted plenum space.
- No visible LED "dots".
- Optimized thermal management, and built-in heat sink.
- CCT=3000K, CRI = 85 typical.
- FIF 759

### 4" Round, 3000K Wallwasher

#### BASYS LED Housing

RTS	BR4WLED		K30	-		-		
	HOUSING	WATTAGE	CCT	DISTRIBUTION	DRIVER	OPTIONS	ORDERING PART NUMBER	MAX QTY
RTS	BR4WLED BASYS Round 4" Recessed Wallwasher	16W 700 lm	K30 3000K	-	D1 Standard 0-10V Dimming Driver, 10%, 120V	-	11006392	35
					D2 Standard 0-10V Dimming Driver, 10%, 277V	-	11017158	15
	25W 980 lm	K30 3000K	-	D1 Standard 0-10V Dimming Driver, 10%, 120V	-	11004638	35	
				D2 Standard 0-10V Dimming Driver, 10%, 277V	-	11017215	15	

#### BASYS LED Trim

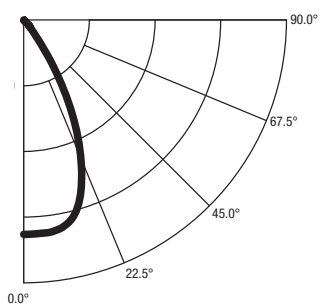
RTS	BR4WLED	-	CS	N	-	05510044
	TRIM	CUTOFF	TRIM FINISH	FLANGE	OPTIONS	ORDERING PART NUMBER
RTS	BR4WLED BASYS Round 4" Recessed Wallwasher	-	CS Clear Semi-Specular	N Natural	-	05510044

#### BASYS LED Mounting

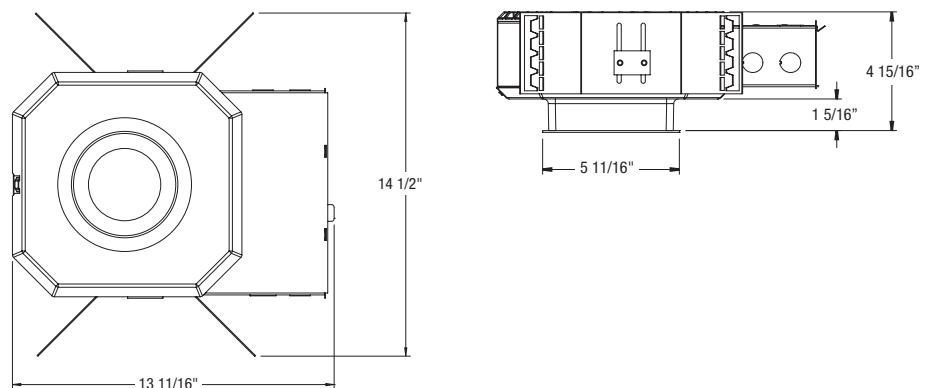
RTS	9930	9930
	MOUNTING DESCRIPTION	ORDERING PART NUMBER
RTS	9930 Set of two 27" C-Channel mounting bars	9930

#### Photometry

##### Candela Distribution



#### Fixture Dimensions





## BASYS LED

- All options come with Dimming Driver, Clear Brushed Reflector, and Natural Flange.
- Designed and built for maximum visual comfort, performance, and efficacy.
- Shallow 4 15/16" housing is perfect for applications with restricted plenum space.
- No visible LED "dots".
- Optimized thermal management, and built-in heat sink.
- CCT=3000K, CRI = 85 typical.
- FIF 756

### 4" Square, 3000K Downlight

#### BASYS LED Housing

RTS	BS4DLED		K30	MS55				
	HOUSING	WATTAGE	CCT	DISTRIBUTION	DRIVER	OPTIONS	ORDERING PART NUMBER	MAX QTY
BS4DLED BASYS Square 4" Recessed Downlight	16W	1000 lm	K30 3000K	MS55 Medium Distribution 55° cutoff	D1 Standard 0-10V Dimming Driver, 10%, 120V	-	11004187	100
						EM1 Standby Battery Pack, 5W, 290 lm, 120V	11006391	15
					D2 Standard 0-10V Dimming Driver, 10%, 277V		11003080	20
						EM2 Standby Battery Pack, 5W, 290 lm, 277V	11003081	5
	25W	1400 lm	K30 3000K	MS55 Medium Distribution 55° cutoff	D1 Standard 0-10V Dimming Driver, 10%, 120V		11006395	100
						EM1 Standby Battery Pack, 5W, 290 lm, 120V	11006393	15
					D2 Standard 0-10V Dimming Driver, 10%, 277V		11017216	20
						EM2 Standby Battery Pack, 5W, 290 lm, 277V	11017161	5

#### BASYS LED Trim

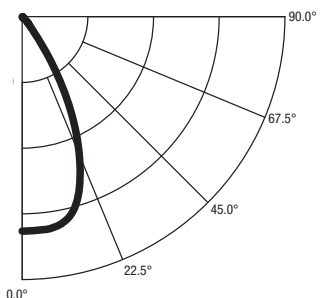
RTS	BS4DLED	55	CB	N		
	TRIM	CUTOFF	TRIM FINISH	FLANGE	OPTIONS	ORDERING PART NUMBER
BS4DLED BASYS Square 4" Recessed Downlight	55	55° cutoff	CB Clear Brushed	N Natural	-	05507863
					E Standby Battery Pack, test switch	11005130

#### BASYS LED Mounting

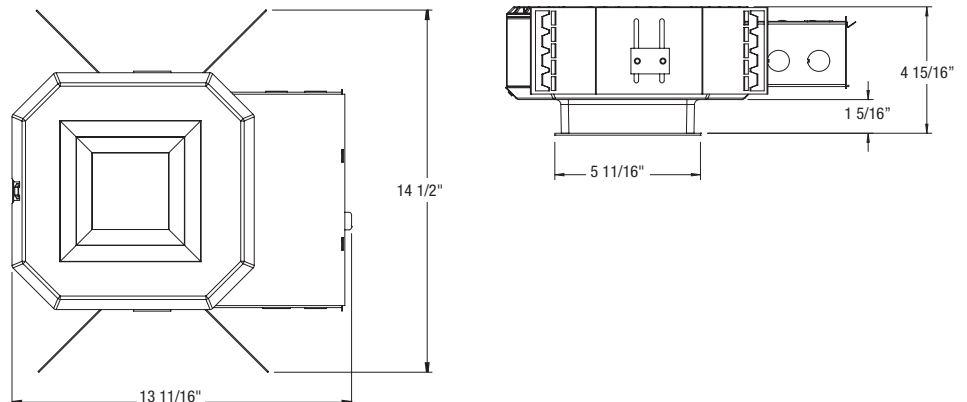
RTS	9930	9930
	MOUNTING DESCRIPTION	ORDERING PART NUMBER
9930 Set of two 27" C-Channel mounting bars		9930

#### Photometry

##### Candela Distribution



#### Fixture Dimensions





## BASYS LED

- All options come with Dimming Driver, Clear Brushed Reflector, and Natural Flange.
- Designed and built for maximum visual comfort, performance, and efficacy.
- Shallow 4 15/16" housing is perfect for applications with restricted plenum space.
- No visible LED "dots".
- Optimized thermal management, and built-in heat sink.
- CCT=3000K, CRI = 85 typical.
- FIF 757

### 4" Square, 3000K Wallwasher

#### BASYS LED Housing

RTS	BS4WLED		K30	-		-		
	HOUSING	WATTAGE	CCT	DISTRIBUTION	DRIVER	OPTIONS	ORDERING PART NUMBER	MAX QTY
RTS	BS4WLED BASYS Square 4" Recessed Wallwasher	16W 700 lm	K30 3000K	-	D1 Standard 0-10V Dimming Driver, 10%, 120V	-	11003970	35
					D2 Standard 0-10V Dimming Driver, 10%, 277V	-	11003684	15
		25W 980 lm	K30 3000K	-	D1 Standard 0-10V Dimming Driver, 10%, 120V	-	11005147	35
					D2 Standard 0-10V Dimming Driver, 10%, 277V	-	11002940	15

#### BASYS LED Trim

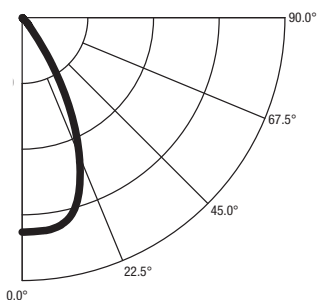
RTS	BS4WLED	-	CB	N	-	05510050
	TRIM	CUTOFF	TRIM FINISH	FLANGE	OPTIONS	ORDERING PART NUMBER
RTS	BS4WLED BASYS Square 4" Recessed Wallwasher	-	CB Clear Brushed	N Natural	-	05510050

#### BASYS LED Mounting

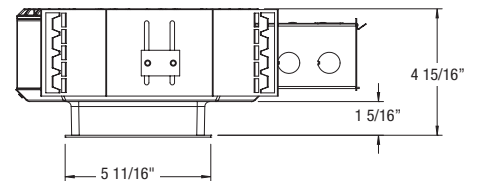
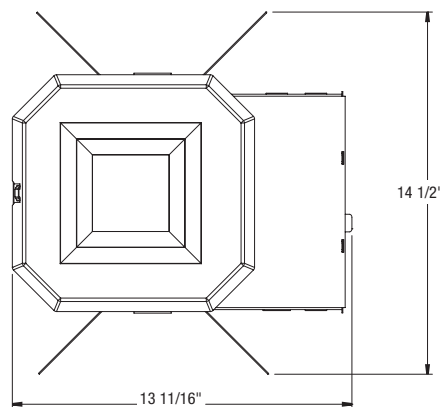
RTS	9930	9930
	MOUNTING DESCRIPTION	ORDERING PART NUMBER
RTS	9930 Set of two 27" C-Channel mounting bars	9930

#### Photometry

##### Candela Distribution



#### Fixture Dimensions





## BASYS LED

### 4" Round, 3500K Downlight

- All options come with Dimming Driver, Clear Semi-Specular Reflector, and Natural Flange.
- Designed and built for maximum visual comfort, performance, and efficacy.
- Shallow 4 15/16" housing is perfect for applications with restricted plenum space.
- No visible LED "dots".
- Optimized thermal management, and built-in heat sink.
- CCT=3500K, CRI = 85 typical.
- FIF 758

### BASYS LED Housing

RTS	BR4DLED		K35	MS55					
	HOUSING	WATTAGE	CCT	DISTRIBUTION	DRIVER	OPTIONS	ORDERING PART NUMBER	MAX QTY	
RTS BR4DLED BASYS Round 4" Recessed Downlight	16W	1000 lm	K35 3500K	MS55 Medium Distribution 55° cutoff	D1 Standard 0-10V Dimming Driver, 10%, 120V	-	05361626	100	
						EM1 Standby Battery Pack, 5W, 290 lm, 120V	05361630	15	
	25W	1400 lm	K35 3500K	MS55 Medium Distribution 55° cutoff	D2 Standard 0-10V Dimming Driver, 10%, 277V	-	11002783	20	
						EM2 Standby Battery Pack, 5W, 290 lm, 277V	11002784	5	
						D1 Standard 0-10V Dimming Driver, 10%, 120V	-	05361625	100
							EM1 Standby Battery Pack, 5W, 290 lm, 120V	05361629	15
					D2 Standard 0-10V Dimming Driver, 10%, 277V	-	11017217	20	
						EM2 Standby Battery Pack, 5W, 290 lm, 277V	11017163	5	

### BASYS LED Trim

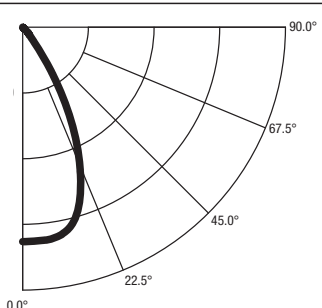
RTS	BR4DLED	55	CS	N		
	TRIM	CUTOFF	TRIM FINISH	FLANGE	OPTIONS	ORDERING PART NUMBER
RTS BR4DLED BASYS Round 4" Recessed Downlight		55 55° cutoff	CS Clear Semi-Specular	N Natural	-	05507842
					E Standby Battery Pack, test switch	05508121

### BASYS LED Mounting

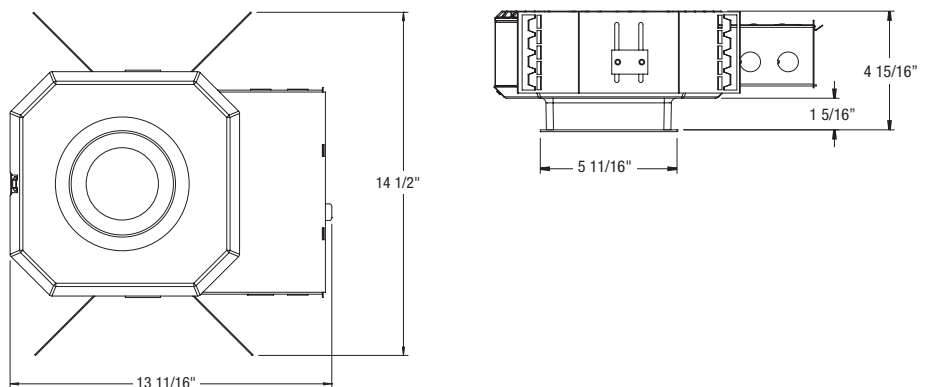
RTS	9930	9930
	MOUNTING DESCRIPTION	ORDERING PART NUMBER
RTS	9930 Set of two 27" C-Channel mounting bars	9930

### Photometry

#### Candela Distribution



### Fixture Dimensions





## BASYS LED

### 4" Round, 3500K Wallwasher

- All options come with Dimming Driver, Clear Semi-Specular Reflector, and Natural Flange.
- Designed and built for maximum visual comfort, performance, and efficacy.
- Shallow 4 15/16" housing is perfect for applications with restricted plenum space.
- No visible LED "dots".
- Optimized thermal management, and built-in heat sink.
- CCT=3500K, CRI = 85 typical.
- FIF 759

#### BASYS LED Housing

RTS	BR4WLED		K35	-		-		
	HOUSING	WATTAGE	CCT	DISTRIBUTION	DRIVER	OPTIONS	ORDERING PART NUMBER	MAX QTY
RTS	BR4WLED BASYS Round 4" Recessed Wallwasher	16W 700 lm	K35 3500K	-	D1 Standard 0-10V Dimming Driver, 10%, 120V	-	05361628	35
					D2 Standard 0-10V Dimming Driver, 10%, 277V	-	11004384	15
		25W 980 lm	K35 3500K	-	D1 Standard 0-10V Dimming Driver, 10%, 120V	-	05361627	35
					D2 Standard 0-10V Dimming Driver, 10%, 277V	-	11017218	15

#### BASYS LED Trim

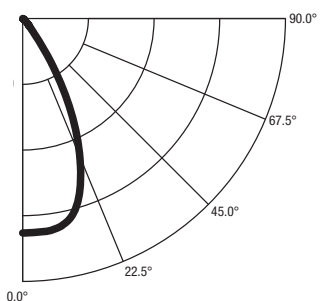
RTS	BR4WLED	-	CS	N	-	05510044
	TRIM	CUTOFF	TRIM FINISH	FLANGE	OPTIONS	ORDERING PART NUMBER
RTS	BR4WLED BASYS Round 4" Recessed Wallwasher	-	CS Clear Semi-Specular	N Natural	-	05510044

#### BASYS LED Mounting

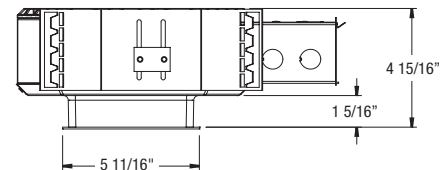
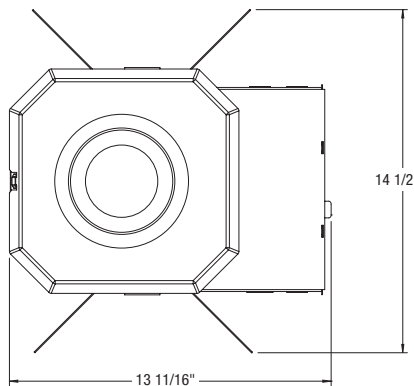
RTS	9930	9930
	MOUNTING DESCRIPTION	ORDERING PART NUMBER
RTS	9930 Set of two 27" C-Channel mounting bars	9930

#### Photometry

##### Candela Distribution



#### Fixture Dimensions







## BASYS LED

- All options come with Dimming Driver, Clear Brushed Reflector, and Natural Flange.
- Designed and built for maximum visual comfort, performance, and efficacy.
- Shallow 4 15/16" housing is perfect for applications with restricted plenum space.
- No visible LED "dots".
- Optimized thermal management, and built-in heat sink.
- CCT=3500K, CRI = 85 typical.
- FIF 756

4" Square, 3500K  
Downlight

### BASYS LED Housing

RTS	BS4DLED		K35	MS55					
	HOUSING	WATTAGE	CCT	DISTRIBUTION	DRIVER	OPTIONS	ORDERING PART NUMBER	MAX QTY	
BS4DLED BASYS Square 4" Recessed Downlight	16W	1000 lm	K35	3500K	MS55 Medium Distribution 55° cutoff	D1 Standard 0-10V Dimming Driver, 10%, 120V	-	05361635	100
							EM1 Standby Battery Pack, 5W, 290 lm, 120V	05361641	15
	25W	1400 lm	K35	3500K	MS55 Medium Distribution 55° cutoff	D2 Standard 0-10V Dimming Driver, 10%, 277V	-	05361558	20
							EM2 Standby Battery Pack, 5W, 290 lm, 277V	05361559	5
	D1 Standard 0-10V Dimming Driver, 10%, 120V						-	05361634	100
							EM1 Standby Battery Pack, 5W, 290 lm, 120V	05361638	15
D2 Standard 0-10V Dimming Driver, 10%, 277V						-	11004099	20	
						EM2 Standby Battery Pack, 5W, 290 lm, 277V	11004360	5	

### BASYS LED Trim

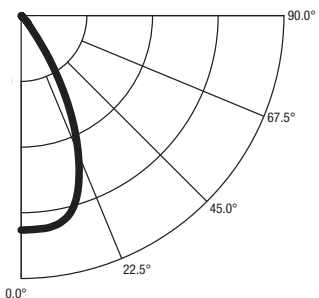
RTS	BS4DLED	55	CB	N		
	TRIM	CUTOFF	TRIM FINISH	FLANGE	OPTIONS	ORDERING PART NUMBER
BS4DLED BASYS Square 4" Recessed Downlight	55	55° cutoff	CB Clear Brushed	N Natural	-	05507863
					E Standby Battery Pack, test switch	11005130

### BASYS LED Mounting

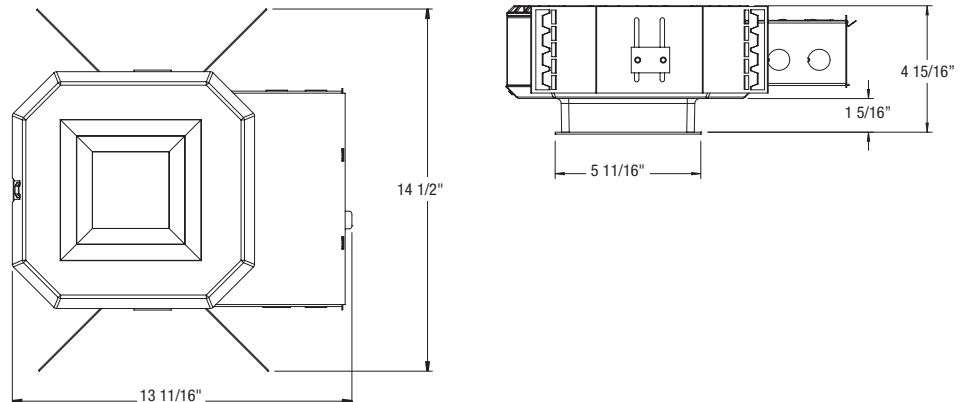
RTS	9930	9930
	MOUNTING DESCRIPTION	ORDERING PART NUMBER
9930	Set of two 27" C-Channel mounting bars	9930

### Photometry

#### Candela Distribution



### Fixture Dimensions





## BASYS LED

- All options come with Dimming Driver, Clear Brushed Reflector, and Natural Flange.
- Designed and built for maximum visual comfort, performance, and efficacy.
- Shallow 4 15/16" housing is perfect for applications with restricted plenum space.
- No visible LED "dots".
- Optimized thermal management, and built-in heat sink.
- CCT=3500K, CRI = 85 typical.
- FIF 757

### 4" Square, 3500K Wallwasher

#### BASYS LED Housing

RTS	BS4WLED		K35	-		-		
	HOUSING	WATTAGE	CCT	DISTRIBUTION	DRIVER	OPTIONS	ORDERING PART NUMBER	MAX QTY
RTS	BS4WLED BASYS Square 4" Recessed Wallwasher	16W 700 lm	K35 3500K	-	D1 Standard 0-10V Dimming Driver, 10%, 120V	-	05361637	35
					D2 Standard 0-10V Dimming Driver, 10%, 277V	-	11003872	15
		25W 980 lm	K35 3500K	-	D1 Standard 0-10V Dimming Driver, 10%, 120V	-	05361636	35
					D2 Standard 0-10V Dimming Driver, 10%, 277V	-	11017219	15

#### BASYS LED Trim

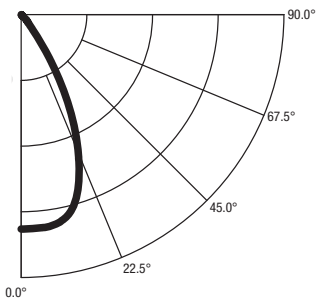
RTS	BS4WLED	-	CB	N	-	05510050
	TRIM	CUTOFF	TRIM FINISH	FLANGE	OPTIONS	ORDERING PART NUMBER
RTS	BS4WLED BASYS Square 4" Recessed Wallwasher	-	CB Clear Brushed	N Natural	-	05510050

#### BASYS LED Mounting

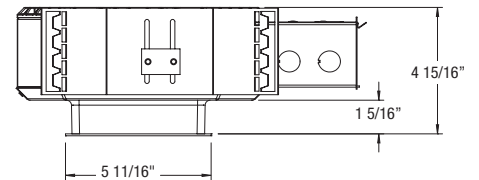
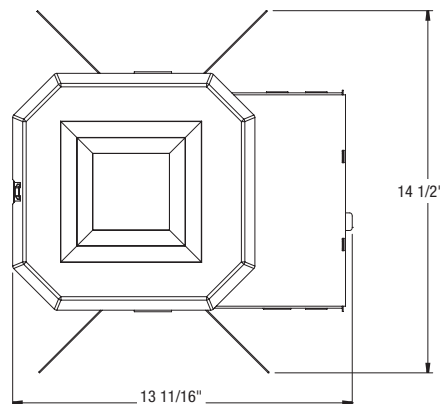
RTS	9930	9930
	MOUNTING DESCRIPTION	ORDERING PART NUMBER
RTS	9930 Set of two 27" C-Channel mounting bars	9930

#### Photometry

##### Candela Distribution



#### Fixture Dimensions





## BASYS LED

### 4" Round, 3500K Downlight

- All options come with Dimming Driver, Clear Semi-Specular Reflector, and White Flange.
- Designed and built for maximum visual comfort, performance, and efficacy.
- Shallow 4 15/16" housing is perfect for applications with restricted plenum space.
- No visible LED "dots".
- Optimized thermal management, and built-in heat sink.
- CCT=3500K, CRI = 85 typical.
- FIF 758

#### BASYS LED Housing

ZOOM! 10 Days	BR4DLED		K35	MS55					
	HOUSING	WATTAGE	CCT	DISTRIBUTION	DRIVER	OPTIONS	ORDERING PART NUMBER	MAX QTY	
BR4DLED BASYS Round 4" Recessed Downlight	16W	1000 lm	K35	3500K	MS55 Medium Distribution 55° cutoff	D1 Standard 0-10V Dimming Driver, 10%, 120V	-	05361626	75
							EM1 Standby Battery Pack, 5W, 290 lm, 120V	05361630	25
	25W	1400 lm	K35	3500K	MS55 Medium Distribution 55° cutoff	D2 Standard 0-10V Dimming Driver, 10%, 277V	-	11002783	75
							EM2 Standby Battery Pack, 5W, 290 lm, 277V	11002784	25
						D1 Standard 0-10V Dimming Driver, 10%, 120V	-	05361625	75
							EM1 Standby Battery Pack, 5W, 290 lm, 120V	05361629	25
					D2 Standard 0-10V Dimming Driver, 10%, 277V	-	11017217	75	
						EM2 Standby Battery Pack, 5W, 290 lm, 277V	11017163	25	

#### BASYS LED Trim

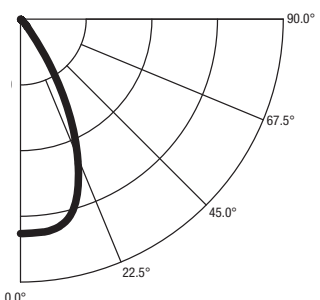
ZOOM! 10 Days	BR4DLED	55	CS	W	-			
	TRIM	CUTOFF	TRIM FINISH	FLANGE	OPTIONS	ORDERING PART NUMBER		
BR4DLED BASYS Round 4" Recessed Downlight	55	55° cutoff	CS	Clear Semi-Specular	W	White	-	05507845
							E	Standby Battery Pack, test switch

#### BASYS LED Mounting

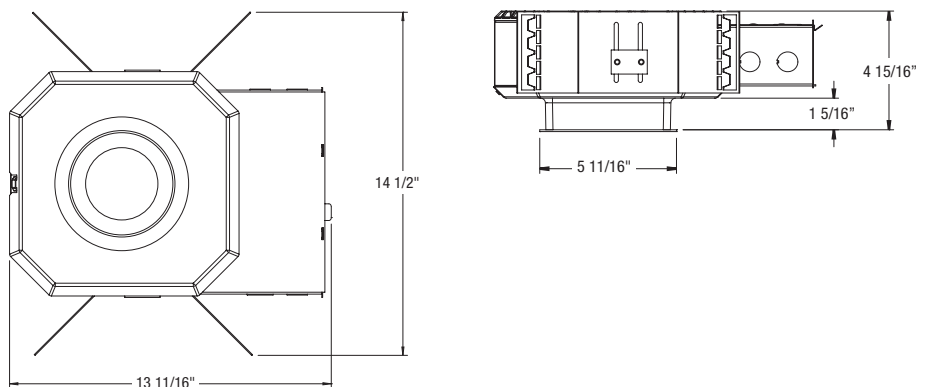
ZOOM! 10 Days	9930	9930
	MOUNTING DESCRIPTION	ORDERING PART NUMBER
	9930 Set of two 27" C-Channel mounting bars	9930

#### Photometry

##### Candela Distribution



#### Fixture Dimensions





## BASYS LED

- All options come with Dimming Driver, Clear Semi-Specular Reflector, and White Flange.
- Designed and built for maximum visual comfort, performance, and efficacy.
- Shallow 4 15/16" housing is perfect for applications with restricted plenum space.
- No visible LED "dots".
- Optimized thermal management, and built-in heat sink.
- CCT=3500K, CRI = 85 typical.
- FIF 759

## 4" Round, 3500K Wallwasher

### BASYS LED Housing

ZOOM! 10 Days	BR4WLED		K35	-		-		
	HOUSING	WATTAGE	CCT	DISTRIBUTION	DRIVER	OPTIONS	ORDERING PART NUMBER	MAX QTY
ZOOM! 10 Days	BR4WLED BASYS Round 4" Recessed Wallwasher	16W 700 lm	K35 3500K	-	D1 Standard 0-10V Dimming Driver, 10%, 120V	-	05361628	75
					D2 Standard 0-10V Dimming Driver, 10%, 277V	-	11004384	75
	BR4WLED BASYS Round 4" Recessed Wallwasher	25W 980 lm	K35 3500K	-	D1 Standard 0-10V Dimming Driver, 10%, 120V	-	05361627	75
					D2 Standard 0-10V Dimming Driver, 10%, 277V	-	11017218	75

### BASYS LED Trim

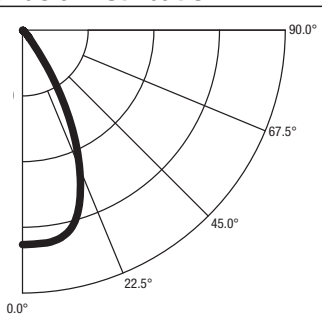
ZOOM! 10 Days	BR4WLED	-	CS	W	-	05510062
	TRIM	CUTOFF	TRIM FINISH	FLANGE	OPTIONS	ORDERING PART NUMBER
ZOOM! 10 Days	BR4WLED BASYS Round 4" Recessed Wallwasher	-	CS Clear Semi-Specular	W White	-	05510062

### BASYS LED Mounting

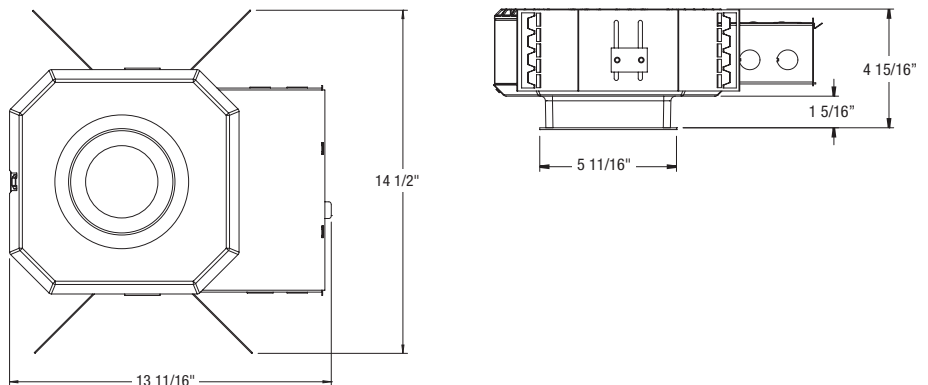
ZOOM! 10 Days	9930	9930
	MOUNTING DESCRIPTION	ORDERING PART NUMBER
ZOOM! 10 Days	9930 Set of two 27" C-Channel mounting bars	9930

### Photometry

#### Candela Distribution



### Fixture Dimensions





## BASYS LED

- All options come with Dimming Driver, Clear Brushed Reflector, and White Flange.
- Designed and built for maximum visual comfort, performance, and efficacy.
- Shallow 4 15/16" housing is perfect for applications with restricted plenum space.
- No visible LED "dots".
- Optimized thermal management, and built-in heat sink.
- CCT=3500K, CRI = 85 typical.
- FIF 756

### 4" Square, 3500K Downlight

#### BASYS LED Housing

ZOOM! 10 Days	BS4DLED		K35	MS55				
	HOUSING	WATTAGE	CCT	DISTRIBUTION	DRIVER	OPTIONS	ORDERING PART NUMBER	MAX QTY
BS4DLED BASYS Square 4" Recessed Downlight	16W	1000 lm	K35 3500K	MS55 Medium Distribution 55° cutoff	D1 Standard 0-10V Dimming Driver, 10%, 120V	-	05361635	75
						EM1 Standby Battery Pack, 5W, 290 lm, 120V	05361641	25
	25W	1400 lm	K35 3500K	MS55 Medium Distribution 55° cutoff	D2 Standard 0-10V Dimming Driver, 10%, 277V		05361558	75
						EM2 Standby Battery Pack, 5W, 290 lm, 277V	05361559	25
	25W	1400 lm	K35 3500K	MS55 Medium Distribution 55° cutoff	D1 Standard 0-10V Dimming Driver, 10%, 120V		05361634	75
						EM1 Standby Battery Pack, 5W, 290 lm, 120V	05361638	25
				D2 Standard 0-10V Dimming Driver, 10%, 277V	-	11004099	75	
					EM2 Standby Battery Pack, 5W, 290 lm, 277V	11004360	25	

#### BASYS LED Trim

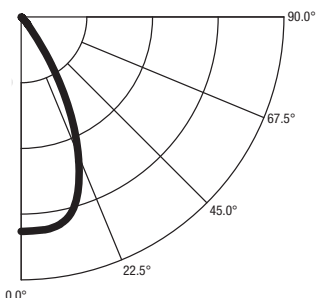
ZOOM! 10 Days	BS4DLED	55	CB	W		
	TRIM	CUTOFF	TRIM FINISH	FLANGE	OPTIONS	ORDERING PART NUMBER
BS4DLED BASYS Square 4" Recessed Downlight		55 55° cutoff	CB Clear Brushed	W White	-	05507866
					E Standby Battery Pack, test switch	05361640

#### BASYS LED Mounting

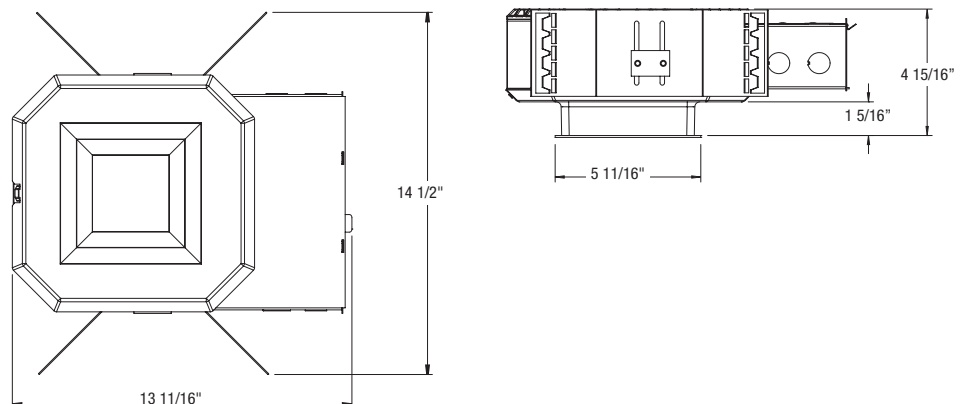
ZOOM! 10 Days	9930	9930
	MOUNTING DESCRIPTION	ORDERING PART NUMBER
	9930 Set of two 27" C-Channel mounting bars	9930

#### Photometry

##### Candela Distribution



#### Fixture Dimensions





## BASYS LED

- All options come with Dimming Driver, Clear Brushed Reflector, and White Flange.
- Designed and built for maximum visual comfort, performance, and efficacy.
- Shallow 4 15/16" housing is perfect for applications with restricted plenum space.
- No visible LED "dots".
- Optimized thermal management, and built-in heat sink.
- CCT=3500K, CRI = 85 typical.
- FIF 757

### 4" Square, 3500K Wallwasher

#### BASYS LED Housing

<b>ZOOM! 10 Days</b>	<b>BS4WLED</b>		<b>K35</b>	-		-			
	HOUSING	WATTAGE	CCT	DISTRIBUTION	DRIVER	OPTIONS	ORDERING PART NUMBER	MAX QTY	
	<b>BS4WLED BASYS Square 4" Recessed Wallwasher</b>	<b>16W</b> 700 lm	<b>K35</b> 3500K	-	-	<b>D1</b> Standard 0-10V Dimming Driver, 10%, 120V	-	<b>05361637</b>	<b>75</b>
						<b>D2</b> Standard 0-10V Dimming Driver, 10%, 277V	-	<b>11003872</b>	<b>75</b>
	<b>BS4WLED BASYS Square 4" Recessed Wallwasher</b>	<b>25W</b> 980 lm	<b>K35</b> 3500K	-	-	<b>D1</b> Standard 0-10V Dimming Driver, 10%, 120V	-	<b>05361636</b>	<b>75</b>
<b>D2</b> Standard 0-10V Dimming Driver, 10%, 277V						-	<b>11017219</b>	<b>75</b>	

#### BASYS LED Trim

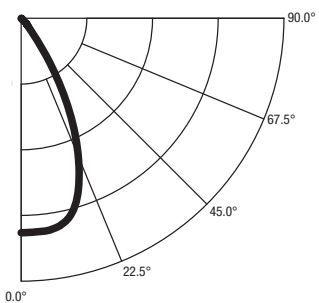
<b>ZOOM! 10 Days</b>	<b>BS4WLED</b>	-	<b>CB</b>	<b>W</b>	-	<b>05516512</b>
	TRIM	CUTOFF	TRIM FINISH	FLANGE	OPTIONS	ORDERING PART NUMBER
	<b>BS4WLED BASYS Square 4" Recessed Wallwasher</b>	-	<b>CB</b> Clear Brushed	<b>W</b> White	-	<b>05516512</b>

#### BASYS LED Mounting

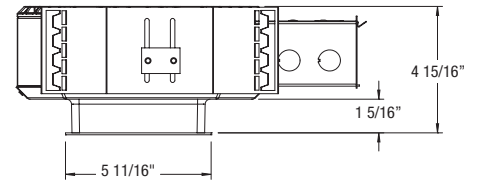
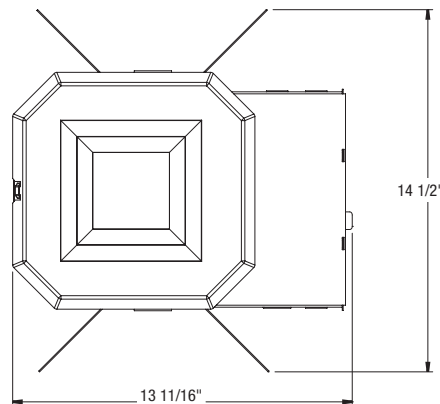
<b>ZOOM! 10 Days</b>	<b>9930</b>	<b>9930</b>
	MOUNTING DESCRIPTION	ORDERING PART NUMBER
	<b>9930</b> Set of two 27" C-Channel mounting bars	<b>9930</b>

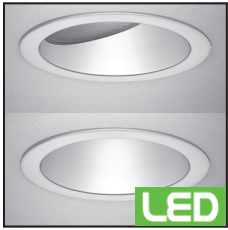
#### Photometry

##### Candela Distribution



#### Fixture Dimensions





## BASYS LED

- All options come with Dimming Driver, Clear Semi-Specular Reflector, and Natural Flange.
- Designed and built for maximum visual comfort, performance, and efficacy.
- Shallow housing is perfect for applications with restricted plenum space.
- No visible LED "dots".
- Optimized thermal management, and built-in heat sink.
- CCT=3500K, CRI = 85 typical.
- FIF 763

**6" Round  
3500K**

### BASYS LED Housing

HOUSING	25W	K35						
	WATTAGE	CCT	DISTRIBUTION	DRIVER	OPTIONS	ORDERING PART NUMBER	MAX QTY	
<b>BR6DLED BASYS Round</b> 6" Recessed Downlight	25W 1400 lm	K35 3500K	MS55 Medium Distribution 55° cutoff	D1 Standard 0-10V Dimming Driver, 10%, 120V	-	05361516	75	
					EM1 Standby Battery Pack, 5W, 290 lm, 120V	05361518	25	
				D2 Standard 0-10V Dimming Driver, 10%, 277V	-	11002882	75	
					EM2 Standby Battery Pack, 5W, 290 lm, 277V	11002883	25	
<b>BR6WLED BASYS Round</b> 6" Recessed Wallwasher	25W 980 lm	K35 3500K	-	D1 Standard 0-10V Dimming Driver, 10%, 120V	-	05497492	75	
			-	D2 Standard 0-10V Dimming Driver, 10%, 277V	-	05516860	75	

### BASYS LED Trim

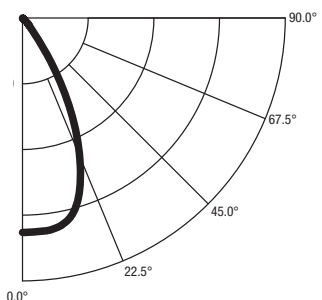
TRIM	CUTOFF	CS	N	OPTIONS	ORDERING PART NUMBER
		TRIM FINISH	FLANGE		
<b>BR6DLED BASYS Round</b> 6" Recessed Downlight	55 55° cutoff	CS Clear Semi-Specular	N Natural	- E Standby Battery Pack, test switch	05507884 05508133
<b>BR6WLED BASYS Round</b> 6" Recessed Wallwasher	-	CS Clear Semi-Specular	N Natural	-	05510047

### BASYS LED Mounting

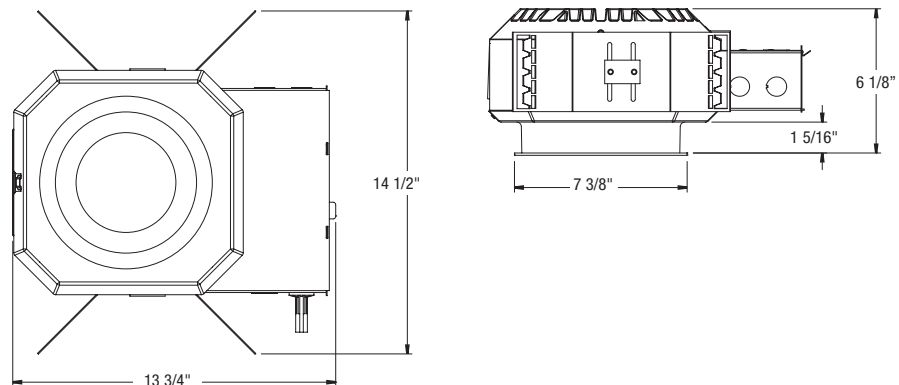
MOUNTING DESCRIPTION	ORDERING PART NUMBER
	<b>9930</b> Set of two 27" C-Channel mounting bars

### Photometry

#### Candela Distribution



### Fixture Dimensions





## BASYS LED

- All options come with Dimming Driver, Clear Brushed Reflector and Natural Flange.
- Designed and built for maximum visual comfort, performance, and efficacy.
- Shallow housing is perfect for applications with restricted plenum space.
- No visible LED "dots".
- Optimized thermal management, and built-in heat sink.
- CCT=3500K, CRI = 85 typical.
- Downlight FIF 760
- Wallwasher FIF 761

### 6" Square 3500K

### BASYS LED Housing

HOUSING	25W	K35	DISTRIBUTION	DRIVER	OPTIONS	ORDERING PART NUMBER	MAX QTY
	WATTAGE	CCT					
<b>ZOOM! 10 Days</b> BS6DLED BASYS Square 6" Recessed Downlight	25W 1400 lm	K35 3500K	MS55 Medium Distribution 55° cutoff	D1 Standard 0-10V Dimming Driver, 10%, 120V	-	05361577	75
					EM1 Standby Battery Pack, 5W, 290 lm, 120V	11002884	25
	D2 Standard 0-10V Dimming Driver, 10%, 277V	-		05519023	75		
		EM2 Standby Battery Pack, 5W, 290 lm, 277V		11002885	25		
<b>BS6WLED BASYS Round 6" Recessed Wallwasher</b>	25W 980 lm	K35 3500K	-	D1 Standard 0-10V Dimming Driver, 10%, 120V	-	11001392	75
			-	D2 Standard 0-10V Dimming Driver, 10%, 277V	-	11000130	75

### BASYS LED Trim

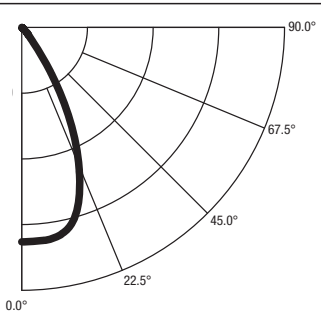
TRIM	CUTOFF	CB	N	OPTIONS	ORDERING PART NUMBER
		TRIM FINISH	FLANGE		
<b>ZOOM! 10 Days</b> BS6DLED BASYS Square 6" Recessed Downlight	55 55° cutoff	CB Clear Brushed	N Natural	-	05507905
				E Standby Battery Pack, test switch	05520616
<b>BS6WLED BASYS Square 6" Recessed Wallwasher</b>	-	CB Clear Brushed	N Natural	-	05510053

### BASYS LED Mounting

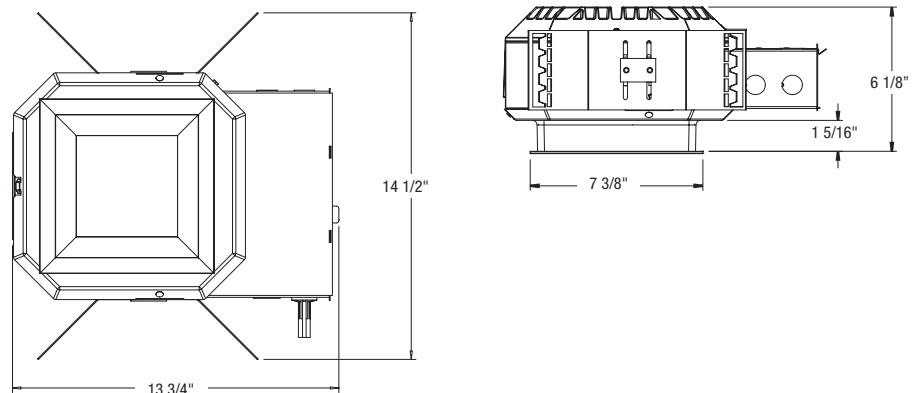
MOUNTING DESCRIPTION	9930	ORDERING PART NUMBER
	<b>ZOOM! 10 Days</b> 9930 Set of two 27" C-Channel mounting bars	

### Photometry

#### Candela Distribution



### Fixture Dimensions







## 6" Round 3500K



### BASYS LED

- All options come with Dimming Driver, Clear Semi-Specular Reflector, and Natural Flange.
- Designed and built for maximum visual comfort, performance, and efficacy.
- Shallow housing is perfect for applications with restricted plenum space.
- No visible LED "dots".
- Optimized thermal management, and built-in heat sink.
- CCT=3500K, CRI = 85 typical.
- FIF 762

#### BASYS LED Housing

<b>ZOOM! 10 Days</b>	<b>BR6DLED</b>	<b>42W</b>	<b>K35</b>	<b>MS55</b>			
	<b>HOUSING</b>	<b>WATTAGE</b>	<b>CCT</b>	<b>DISTRIBUTION</b>	<b>DRIVER</b>	<b>ORDERING PART NUMBER</b>	<b>MAX QTY</b>
	<b>BR6DLED BASYS Round 6" Recessed Downlight</b>	<b>42W</b> 2800 lm	<b>K35</b> 3500K	<b>MS55</b> Medium Distribution 55° cutoff	<b>D1</b> Standard 0-10V Dimming Driver, 10%, 120V <b>D2</b> Standard 0-10V Dimming Driver, 10%, 277V	<b>11002712</b> <b>11002887</b>	<b>75</b> <b>75</b>

#### BASYS LED Trim

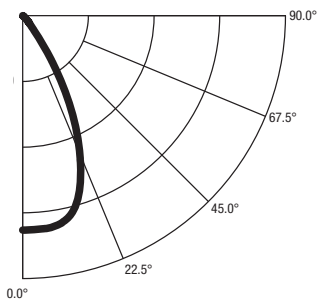
<b>ZOOM! 10 Days</b>	<b>BR6DLED</b>	<b>55</b>	<b>CS</b>	<b>N</b>	
	<b>TRIM</b>	<b>CUTOFF</b>	<b>TRIM FINISH</b>	<b>FLANGE</b>	<b>ORDERING PART NUMBER</b>
	<b>BR6DLED BASYS Round 6" Recessed Downlight</b>	<b>55</b> 55° cutoff	<b>CS</b> Clear Semi-Specular	<b>N</b> Natural	<b>05507884</b>

#### BASYS LED Mounting

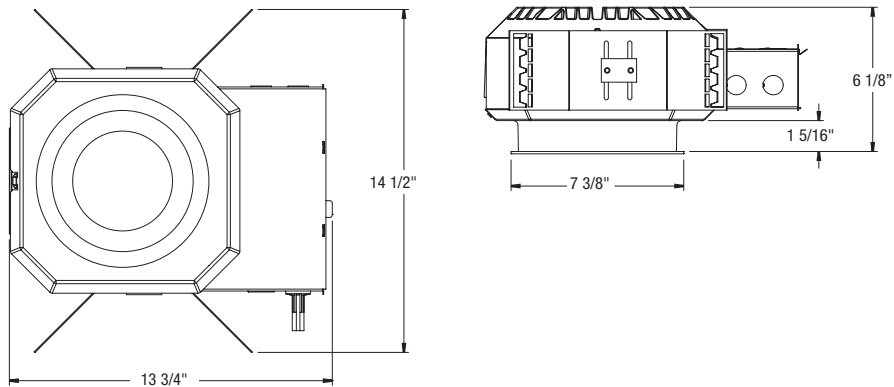
<b>ZOOM! 10 Days</b>	<b>9930</b>	
	<b>MOUNTING DESCRIPTION</b>	<b>ORDERING PART NUMBER</b>
	<b>9930</b> Set of two 27" C-Channel mounting bars	<b>9930</b>

#### Photometry

##### Candela Distribution



#### Fixture Dimensions





### BASYS LED

- All options come with Dimming Driver, Clear Brushed Reflector, and Natural Flange.
- Designed and built for maximum visual comfort, performance, and efficacy.
- Shallow housing is perfect for applications with restricted plenum space.
- No visible LED "dots".
- Optimized thermal management, and built-in heat sink.
- CCT=3500K, CRI = 85 typical.
- FIF 760

#### BASYS LED Housing

ZOOM! 10 Days	BS6DLED	42W	K35	MS55				
	HOUSING	WATTAGE	CCT	DISTRIBUTION	DRIVER	ORDERING PART NUMBER	MAX QTY	
	BS6DLED BASYS Square 6" Recessed Downlight	42W 2800 lm	K35 3500K	MS55 Medium Distribution 55° cutoff	D1 Standard 0-10V Dimming Driver, 10%, 120V  D2 Standard 0-10V Dimming Driver, 10%, 277V	11002889	75	11002891

#### BASYS LED Trim

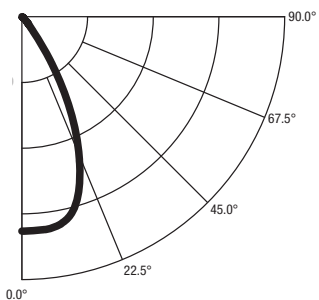
ZOOM! 10 Days	BR6DLED	55	CB	N	
	TRIM	CUTOFF	TRIM FINISH	FLANGE	ORDERING PART NUMBER
	BS6DLED BASYS Square 6" Recessed Downlight	55 55° cutoff	CB Clear Brushed	N Natural	05507905

#### BASYS LED Mounting

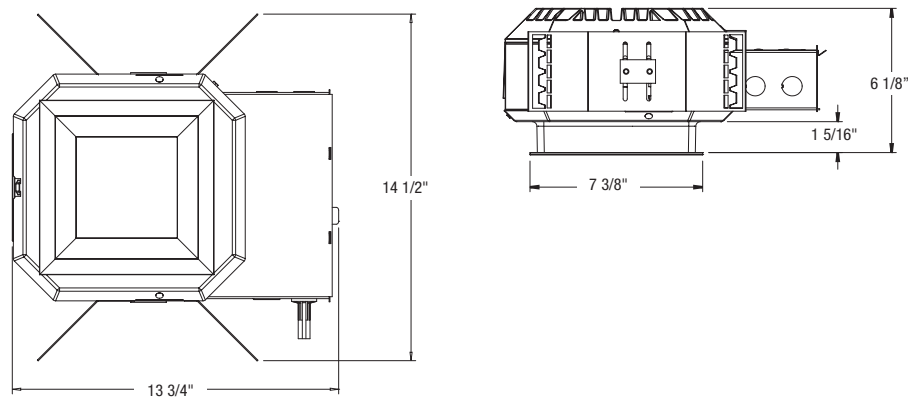
ZOOM! 10 Days	9930	
	MOUNTING DESCRIPTION	ORDERING PART NUMBER
	9930 Set of two 27" C-Channel mounting bars	9930

#### Photometry

##### Candela Distribution



#### Fixture Dimensions





## KAVEROS

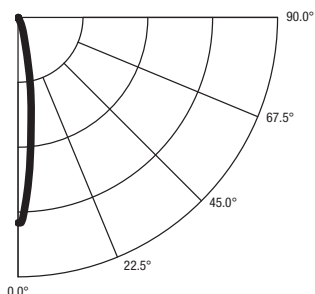
## LED Track Head

- All options come with Universal Driver and 1-circuit adapter.
- Small (2" aperture), Medium (3" aperture), or Large (4" aperture), painted White.
- Patented TIR LED module, produces Clean Beam - symmetrical, smooth, and free of striations.
- Optics are field inter-changeable. White light LED module.
- 360° horizontal rotation, with tilt angle 0° to +/- 90° (180° total). Tilt is lockable.
- CRI = 85 typical.
- Max Ordering Quantity: 25

ZOOM! 10 Days	FITTURE	WATTAGE	CCT	BEAM SPREAD	85	WH	GES	UNV	ORDERING PART NUMBER	FIF	
					CRI	FINISH	ADAPTER	DRIVER			
KAVEROS Track Fixture, Small	12W 12 Watts	K27 2700K	SP Spot - 15° 759 lumens, 6998 CBCP	85 85 CRI typical	WH White	GES Global 1-circuit track, 120V	UNV 120/277V	11004717	1046		
			NF Narrow Flood - 20° 754 lumens, 4194 CBCP	85 85 CRI typical	WH White	GES Global 1-circuit track, 120V	UNV 120/277V	11004718	1046		
			FL Flood - 45° 683 lumens, 938 CBCP	85 85 CRI typical	WH White	GES Global 1-circuit track, 120V	UNV 120/277V	11004719	1046		
		K30 3000K	SP Spot - 15° 759 lumens, 6998 CBCP	85 85 CRI typical	WH White	GES Global 1-circuit track, 120V	UNV 120/277V	11001514	1046		
			NF Narrow Flood - 20° 754 lumens, 4194 CBCP	85 85 CRI typical	WH White	GES Global 1-circuit track, 120V	UNV 120/277V	11003386	1046		
			FL Flood - 45° 683 lumens, 938 CBCP	85 85 CRI typical	WH White	GES Global 1-circuit track, 120V	UNV 120/277V	11003388	1046		
		KAVEROS Track Fixture, Medium	18W 18 Watts	K30 3000K	SP Spot - 15° 1064 lumens, 9509 CBCP	85 85 CRI typical	WH White	GES Global 1-circuit track, 120V	UNV 120/277V	11004720	657
					NF Narrow Flood - 25° 1057 lumens, 3595 CBCP	85 85 CRI typical	WH White	GES Global 1-circuit track, 120V	UNV 120/277V	11004636	657
					FL Flood - 45° 997 lumens, 1352 CBCP	85 85 CRI typical	WH White	GES Global 1-circuit track, 120V	UNV 120/277V	11004721	657
KAVEROS Track Fixture, Large	18W 18 Watts	K30 3000K	SP Spot - 8° 1098 lumens, 20745 CBCP	85 85 CRI typical	WH White	GES Global 1-circuit track, 120V	UNV 120/277V	11011104	1065		
			NF Narrow Flood - 25° 1138 lumens, 4598 CBCP	85 85 CRI typical	WH White	GES Global 1-circuit track, 120V	UNV 120/277V	11014522	1065		
			FL Flood - 45° 939 lumens, 1405 CBCP	85 85 CRI typical	WH White	GES Global 1-circuit track, 120V	UNV 120/277V	11014523	1065		

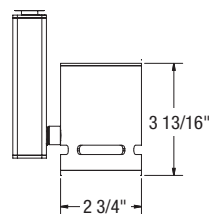
### Photometry (Spot)

#### Candela Distribution

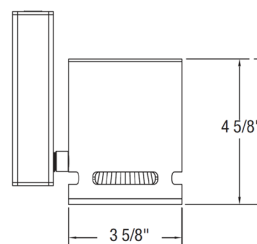


### Fixture Dimensions

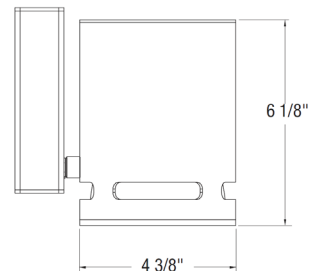
#### KAVEROS Small

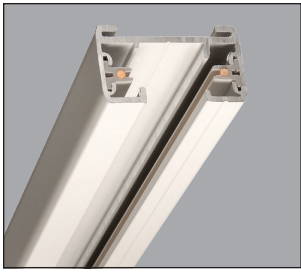


#### KAVEROS Medium



#### KAVEROS Large

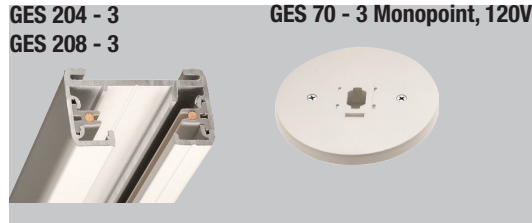




## GLOBAL Trac

- 1-circuit / 1-neutral, 120V track
- All track and components provided in white finish to match KAVEROS on ZOOM! 10 Days Program
- Components and mounting accessories available
- Track is field cuttable
- Max Ordering Quantity: 25

<b>ZOOM! 10 Days</b>			
	LENGTH or MONOPOINT	ORDERING PART NUMBER	FIF
	<b>GES 204 - 3</b> 4' Track Length, White	<b>05014373</b>	<b>1059</b>
	<b>GES 208 - 3</b> 8' Track Length, White	<b>05014376</b>	<b>1059</b>
<b>GES 70 - 3</b> 120V Monopoint, White	<b>05014398</b>	<b>1059</b>	



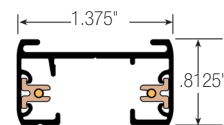
<b>ZOOM! 10 Days</b>			
	ACCESSORIES	ORDERING PART NUMBER	FIF
	<b>GES 11 + 41 - 3</b> 120V Live End Feed, White	<b>05014390</b>	<b>1059</b>
	<b>GES 21 - 3</b> 120V Linear Coupler, White	<b>05014394</b>	<b>1059</b>
	<b>GES 13 + 1x41 - 3</b> 120V Conduit End Feed - Left, White	<b>05014410</b>	<b>1059</b>
	<b>GES 34 + 2x41 - 3</b> 120V L-Feed, White	<b>05014402</b>	<b>1059</b>
	<b>GES 41 - 3</b> Dead End / Blank Cover, White	<b>05014392</b>	<b>1059</b>
<b>GES 15 - 3</b> Outlet Box Cover, White	<b>05014310</b>	<b>1059</b>	



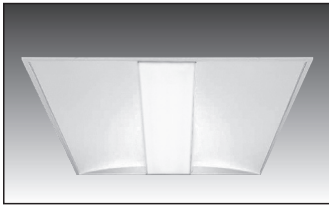
<b>ZOOM! 10 Days</b>			
	SUSPENSION PARTS	ORDERING PART NUMBER	FIF
	<b>GEA 6 - 1</b> Threaded Rod Mounting Clip	<b>05014442</b>	<b>1059</b>
	<b>GEA 10 - 3</b> Universal Stem Suspension Point, White	<b>05014444</b>	<b>1059</b>
	<b>GEA 37/24 - 3</b> Stem and Canopy Kit, 3/8", 24", White	<b>05014452</b>	<b>1059</b>
<b>GEA 37/48 - 3</b> Stem and Canopy Kit, 3/8", 48", White	<b>05014454</b>	<b>1059</b>	



### Track Dimensions



Nominal Length	Actual Length
4'	44"
8'	92"
12'	140"



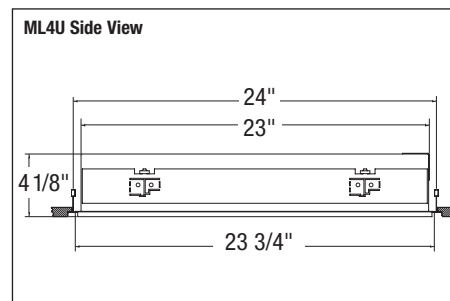
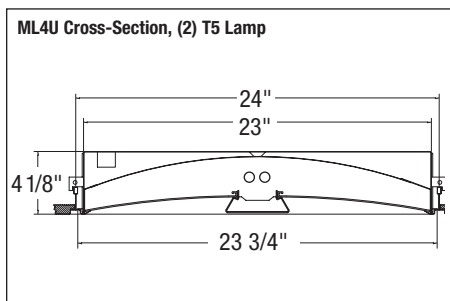
# ML4 Opal

## Fluorescent Recessed

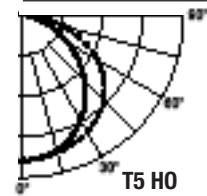
- All options come with: Opal Lens and "U" Mounting.
- Ideal for offices, retail, healthcare, and educational facilities.
- Option of Lutron EcoSystem™ H-Series Ballast (HSU).
- FIF 312

RTS	ML4U	22	2145	OL				
	FIXTURE / CEILING TYPE	LENGTH	LAMPING	OPTIC	BALLAST / VOLTAGE	OPTIONS	ORDERING PART NUMBER	MAX QTY
ML4U ML4 Recessed 15/16" Lay-In, Flush 9/16" Slot-Grid, Flush 9/16" Lay-In, Tegular	22' X 2'	2145 (2) 14W T5	OL Opal Acrylic Lens	U Universal 120/277V	-	05486983	75	
					WF Whip Flex 3/8" x 6' 14 AWG	11010910	75	
					EM1U Standby Battery Pack/1 lamp	11005860	25	
					WFEM1U Whip Flex 3/8" x 6' 14 AWG and Standby Battery Pack/1 lamp	11010912	25	
					HSU Dimming, Lutron EcoSystem™, H-Series, Universal 120/277V	-	11005859	25
					WF Whip Flex 3/8" x 6' 14 AWG	11010914	25	

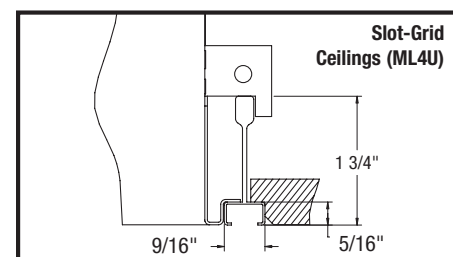
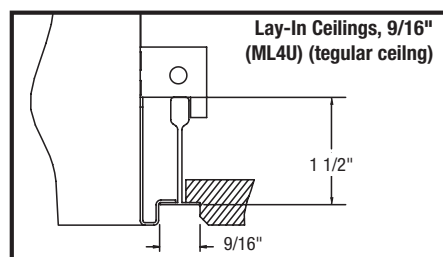
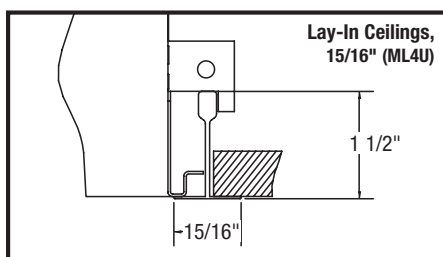
ZOOM! 10 Days	ML4U	22	2245	OL				
	FIXTURE / CEILING TYPE	LENGTH	LAMPING	OPTIC	BALLAST / VOLTAGE	OPTIONS	ORDERING PART NUMBER	FIF
ML4U ML4 Recessed 15/16" Lay-In, Flush 9/16" Slot-Grid, Flush 9/16" Lay-In, Tegular	22' X 2'	2245 (2) 24W T5 HO	OL Opal Acrylic Lens	U Universal 120/277V	-	05495560	75	
					WF Whip Flex 3/8" x 6' 14 AWG	11010915	75	
					EM1U Standby Battery Pack/1 lamp	11005891	25	
					WFEM1U Whip Flex 3/8" x 6' 14 AWG and Standby Battery Pack/1 lamp	11010916	25	
					HSU Dimming, Lutron EcoSystem™, H-Series, Universal 120/277V	-	11005887	25
					WF Whip Flex 3/8" x 6' 14 AWG	11010917	25	



### Photometric Data



**T5 HO  
Efficiency = 79%**





# ML4 Opal

## Fluorescent Recessed

- All options come with: Opal Lens and "U" Mounting.
- Ideal for offices, retail, healthcare, and educational facilities.
- Option of Lutron EcoSystem™ H-Series Ballast (HSU).
- FIFs 314 and 611

ZOOM! 10 Days	ML4U	24		OL				
	FIXTURE / CEILING TYPE	LENGTH	LAMPING	OPTIC	BALLAST / VOLTAGE	OPTIONS	ORDERING PART NUMBER	MAX QTY
<b>ML4U</b> ML Recessed 15/16" Lay-In, Flush 9/16" Slot-Grid, Flush 9/16" Lay-In, Tegalur	24 2' X 4'	2285 (2) 28W T5	OL Opal Acrylic Lens	U Universal 120/277V	-	05517061	75	
					WF Whip Flex 3/8" x 6' 14 AWG	05501695	75	
					EM1U Standby Battery Pack/1 lamp	11005894	25	
				WFEM1U Whip Flex 3/8" x 6' 14 AWG and Standby Battery Pack/1 lamp	11010918	25		
				HSU Dimming, Lutron EcoSystem™, H-Series, Universal 120/277V	-	11005892	25	
				WF Whip Flex 3/8" x 6' 14 AWG	11010919	25		
		2545 (2) 54W T5 HO	OL Opal Acrylic Lens	U Universal 120/277V	-	11006075	75	
					WF Whip Flex 3/8" x 6' 14 AWG	11010920	75	
					EM1U Standby Battery Pack/1 lamp	11006077	25	
				WFEM1U Whip Flex 3/8" x 6' 14 AWG and Standby Battery Pack/1 lamp	11010921	25		
				HSU Dimming, Lutron EcoSystem™, H-Series, Universal 120/277V	-	11006076	25	
				WF Whip Flex 3/8" x 6' 14 AWG	11010922	25		
		2328 (2) 32W T8	OL Opal Acrylic Lens	U Universal 120/277V	-	11006078	75	
					WF Whip Flex 3/8" x 6' 14 AWG	05490634	75	
					EM1U Standby Battery Pack/1 lamp	11006080	25	
				WFEM1U Whip Flex 3/8" x 6' 14 AWG and Standby Battery Pack/1 lamp	11010923	25		
				HSU Dimming, Lutron EcoSystem™, H-Series, Universal 120/277V	-	11006079	25	
				WF Whip Flex 3/8" x 6' 14 AWG	11010924	25		

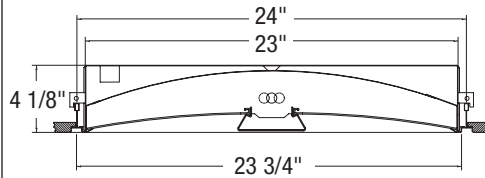


### ML4 Opal

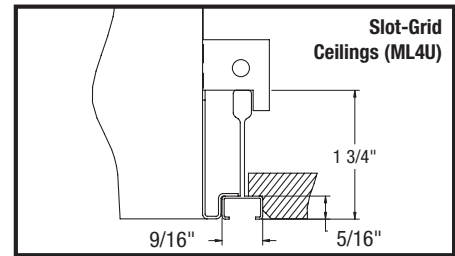
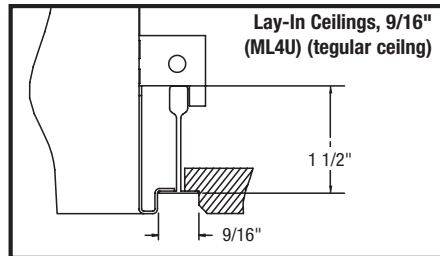
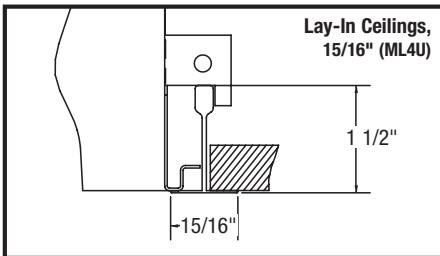
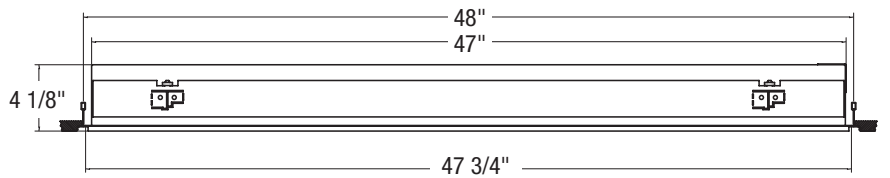
#### Fluorescent Recessed

- All options come with: Opal Lens and "U" Mounting.
- Ideal for offices, retail, healthcare, and educational facilities.
- Option of Lutron EcoSystem™ H-Series Ballast (HSU).
- FIFs 314 and 611

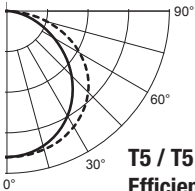
ML4U Cross-Section



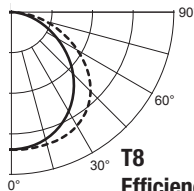
ML4U Side View



#### Photometric Data



**T5 / T5 HO**  
Efficiency = 85%



**T8**  
Efficiency = 73%



# ML4 Opal

Fluorescent Recessed

1' x 4'

- All options come with Opal Lens and "U" Mounting.
- Ideal for offices, retail, healthcare, and educational facilities.
- Option of Lutron EcoSystem™ H-Series Ballast (HSU).
- FIFs 313 and 610

ML4U	14	LAMPING	OL	BALLAST / VOLTAGE	OPTIONS	ORDERING	MAX	
						PART NUMBER	QTY	
<b>ML4U</b> ML Recessed 15/16" Lay-In, Flush 9/16" Slot-Grid, Flush 9/16" Lay-In, Tegular	14	1285 (1) 28W T5	OL Opal Acrylic Lens	U Universal 120/277V	-	05476114	75	
					WF Whip Flex 3/8" x 6' 14 AWG	11010933	75	
					EM1U Standby Battery Pack/1 lamp	11006082	25	
				WFEM1U Whip Flex 3/8" x 6' 14 AWG and Standby Battery Pack/1 lamp	11010926	25		
				HSU Dimming, Lutron EcoSystem™, H-Series, Universal 120/277V	-	11006081	25	
				WF Whip Flex 3/8" x 6' 14 AWG	11010934	25		
			1545 (1) 54W T5 HO	OL Opal Acrylic Lens	U Universal 120/277V	-	11006083	75
						WF Whip Flex 3/8" x 6' 14 AWG	11005697	75
						EM1U Standby Battery Pack/1 lamp	11006085	25
				WFEM1U Whip Flex 3/8" x 6' 14 AWG and Standby Battery Pack/1 lamp	11010928	25		
				HSU Dimming, Lutron EcoSystem™, H-Series, Universal 120/277V	-	11006084	25	
				WF Whip Flex 3/8" x 6' 14 AWG	11010929	25		
		2285 (2) 28W T5	OL Opal Acrylic Lens	U Universal 120/277V	-	05495542	75	
					WF Whip Flex 3/8" x 6' 14 AWG	11010930	75	
					EM1U Standby Battery Pack/1 lamp	11006087	25	
			WFEM1U Whip Flex 3/8" x 6' 14 AWG and Standby Battery Pack/1 lamp	11010932	25			
			HSU Dimming, Lutron EcoSystem™, H-Series, Universal 120/277V	-	11006086	25		
			WF Whip Flex 3/8" x 6' 14 AWG	11010957	25			
		2328 (2) 32W T8	OL Opal Acrylic Lens	U Universal 120/277V	-	11006088	75	
					WF Whip Flex 3/8" x 6' 14 AWG	11010954	75	
					EM1U Standby Battery Pack/1 lamp	11006090	25	
			WFEM1U Whip Flex 3/8" x 6' 14 AWG and Standby Battery Pack/1 lamp	11010955	25			
			HSU Dimming, Lutron EcoSystem™, H-Series, Universal 120/277V	-	11006089	25		
			WF Whip Flex 3/8" x 6' 14 AWG	11010956	25			

**ZOOM! 10 Days**



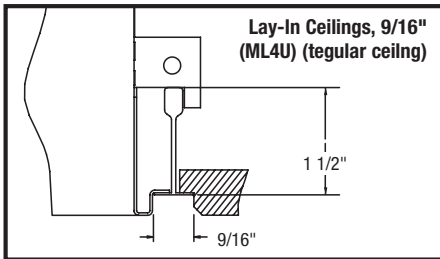
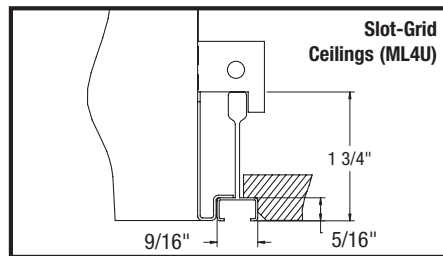
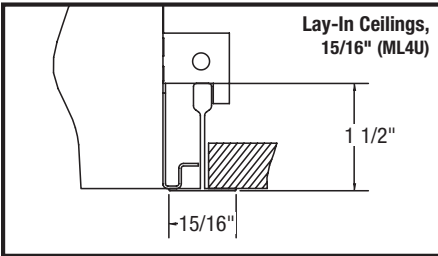
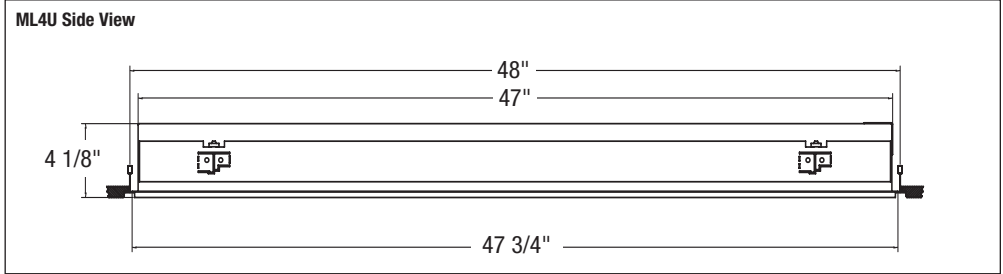
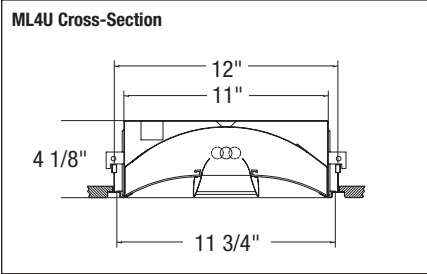


## ML4 Opal

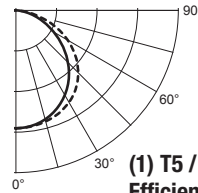
1' x 4'

### Fluorescent Recessed

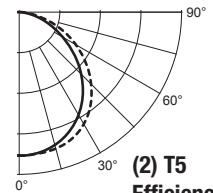
- All options come with Opal Lens and "U" Mounting.
- Ideal for offices, retail, healthcare, and educational facilities.
- Option of Lutron EcoSystem™ H-Series Ballast (HSU).
- FIFs 313 and 610



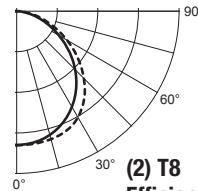
### Photometric Data



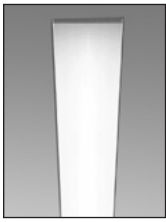
**(1) T5 / T5 HO  
Efficiency = 77%**



**(2) T5  
Efficiency = 76%**



**(2) T8  
Efficiency = 65%**



# SLOTLIGHT

Individual  
Sheetrock

- Ideal for applications in restricted space
- Staggered lamping
- Length options (nominal) for sheetrock ceiling are 4', 8', and longer runs using 4' and 8' Starter, Mid and End Units
- Length options for grid ceiling are 4', 8' 12', 16', 20', and 24'
- FIF 1034
- Max Ordering Quantity: 200'

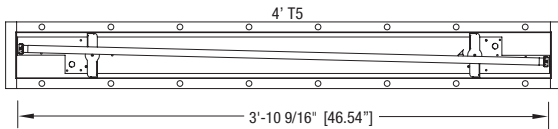
<b>ZOOM! 10 Days</b>	<b>SCON4</b>	<b>EA</b>			<b>P</b>	<b>W</b>		
	<b>APERTURE</b>	<b>CEILING TYPE / MOUNTING</b>	<b>LAMPING</b>	<b>LENGTH</b>	<b>OPTIC</b>	<b>HOUSING COLOR</b>	<b>VOLTAGE / BALLAST</b>	<b>OPTIONS</b>
	<b>SCON4</b> SLOTLIGHT Continuous 4" Recessed	<b>EA</b> After Sheetrock Ceiling, Flangeless	<b>1T5</b> (1) T5 <b>1H5</b> (1) T5 HO <b>1T8</b> (1) T8	<b>4 ft. Nominal Individual</b> <b>0046.54</b> (1) 28W T5 <b>0046.54</b> (1) 54W T5 HO <b>0048.19</b> (1) 32W T8  <b>8 ft. Nominal Individual</b> <b>0088.58</b> (2) 28W T5 <b>0088.58</b> (2) 54W T5 HO <b>0090.98</b> (2) 32W T8	<b>P</b> Opal Lens, Flush	<b>W</b> White	<b>UNV</b> Universal 120V/277V <b>DAU</b> 0-10V, 120/277V - <u>T5, T8</u> <b>DA1</b> 0-10V, 120V - <u>T5 HO</u> <b>DA2</b> 0-10V, 277V - <u>T5 HO</u> <b>HDU</b> Lutron HiLume 3D, 120/277V	<b>E1</b> Standby Battery Pack, (1) lamp, 120V <b>E2</b> Standby Battery Pack, (1) lamp, 277V

### Emergency Battery Pack Location

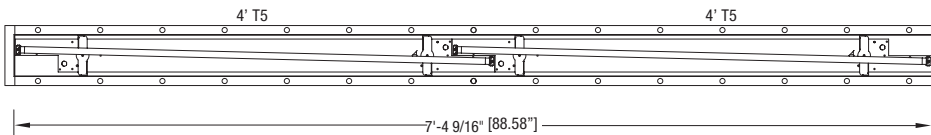
CEILING TYPE	LENGTH	EM LOCATION
After Sheetrock	8 ft	First lamp

### Fixture Dimensions - T5

#### 4' T5 Individual - After Sheetrock Flangeless

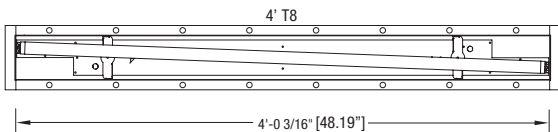


#### 8' T5 Individual - After Sheetrock Flangeless

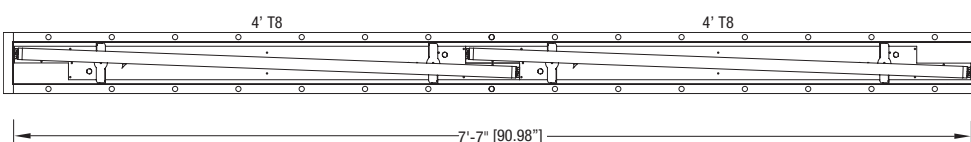


### Fixture Dimensions - T8

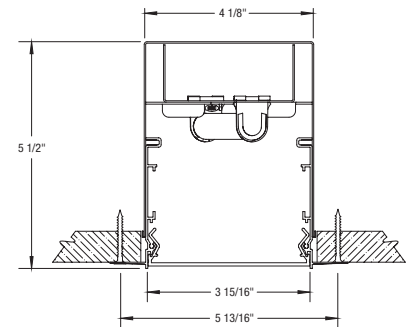
#### 4' T8 Individual - After Sheetrock Flangeless



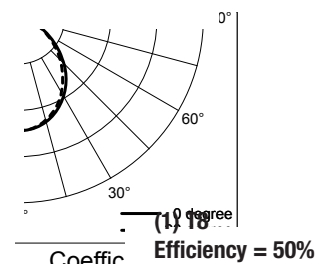
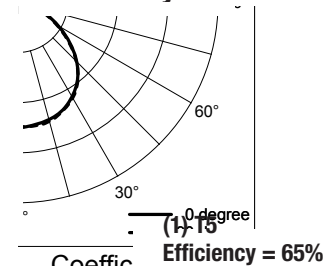
#### 8' T8 Individual - After Sheetrock Flangeless

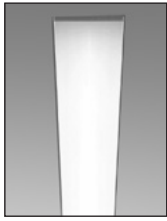


### 4' After Sheetrock Flangeless Cross-Section



### Photometry





## SLOTLIGHT

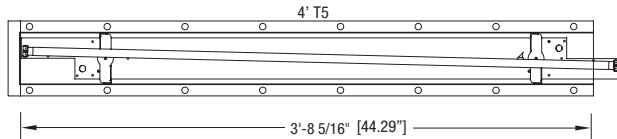
### Continuous Runs Sheetrock

- Ideal for applications in restricted space
- Staggered lamping
- Length options (nominal) for sheetrock ceiling are 4', 8', and longer runs using 4' and 8' Starter, Mid and End Units
- Length options for grid ceiling are 4', 8', 12', 16', 20', and 24'
- FIF 1034
- Max Ordering Quantity: 200'

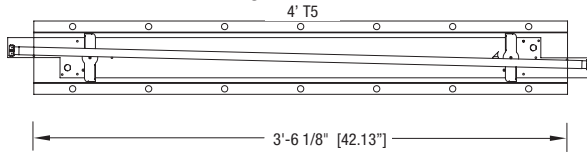
<b>ZOOM! 10 Days</b>	<b>SCON4</b>	<b>EA</b>			<b>P</b>	<b>W</b>		
	<b>APERTURE</b>	<b>CEILING TYPE / MOUNTING</b>	<b>LAMPING</b>	<b>LENGTH</b>	<b>OPTIC</b>	<b>HOUSING COLOR</b>	<b>VOLTAGE / BALLAST</b>	<b>OPTIONS</b>
	<b>SCON4</b> SLOTLIGHT Continuous 4" Recessed	<b>EA</b> After Sheetrock Ceiling, Flangeless	<b>1T5</b> (1) T5 <b>1H5</b> (1) T5 HO <b>1T8</b> (1) T8	<b>XXXX.XX</b> Length = (1) Starter + (multiple) Mids + (1) End Add lengths below for Continuous Run Length <b>4 ft. Nominal Starter / End</b> 0044.29 (1) 28W T5 0044.29 (1) 54W T5 HO 0045.45 (1) 32W T8 <b>4 ft. Nominal Mid</b> 0042.13 (1) 28W T5 0042.13 (1) 54W T5 HO 0042.80 (1) 32W T8 <b>8 ft. Nominal Mid</b> 0084.25 (2) 28W T5 0084.25 (2) 54W T5 HO 0085.59 (2) 32W T8	<b>P</b> Opal Lens, Flush	<b>W</b> White	<b>UNV</b> Universal 120V/277V <b>DAU</b> 0-10V, 120/277V - <u>T5, T8</u> <b>DA1</b> 0-10V, 120V - <u>T5 HO</u> <b>DA2</b> 0-10V, 277V - <u>T5 HO</u> <b>HDU</b> Lutron HiLume 3D, 120/277V	<b>E1</b> Standby Battery Pack, (1) lamp, 120V <b>E2</b> Standby Battery Pack, (1) lamp, 277V

### Fixture Dimensions - T5

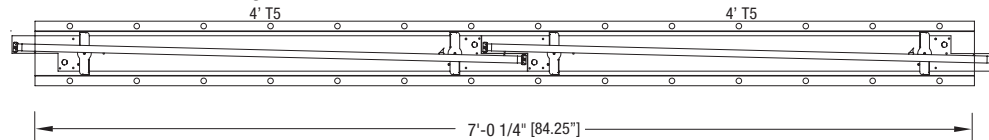
4' T5 Starter - After Sheetrock Flangeless



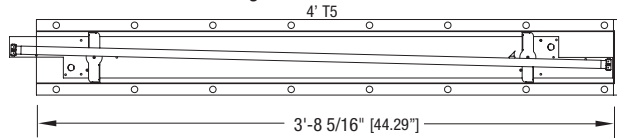
4' T5 Mid - After Sheetrock Flangeless



8' T5 Mid - After Sheetrock Flangeless



4' T5 End - After Sheetrock Flangeless

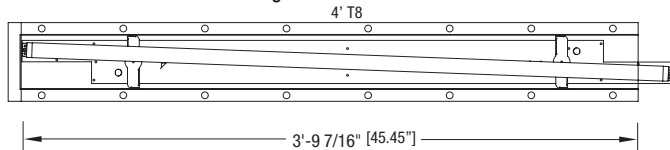


### Emergency Battery Pack Location

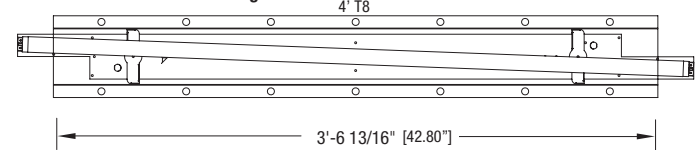
CEILING TYPE	LENGTH	EM LOCATION
After Sheetrock	8 ft	First lamp

### Fixture Dimensions - T8

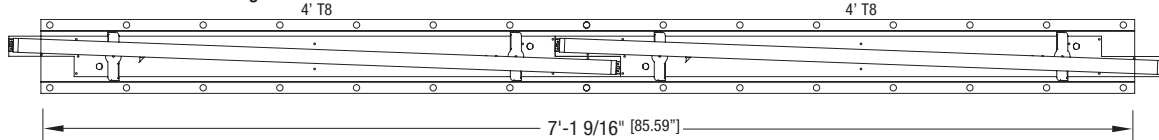
4' T8 Starter - After Sheetrock Flangeless



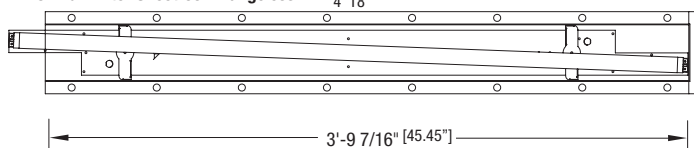
4' T8 Mid - After Sheetrock Flangeless

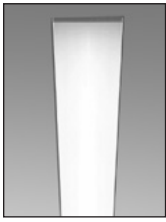


8' T8 Mid - After Sheetrock Flangeless



4' T8 End - After Sheetrock Flangeless





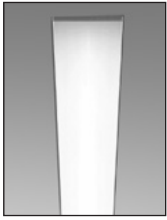
# SLOTLIGHT

- Ideal for applications in restricted space
- Staggered lamping
- Length options (nominal) for sheetrock ceiling are 4', 8', and longer runs using 4' and 8' Starter, Mid and End Units
- Length options for grid ceiling are 4', 8', 12', 16', 20', and 24'
- FIF 1034
- Max Ordering Quantity: 200'

<b>ZOOM! 10 Days</b>	<b>SCON4</b>				<b>P</b>	<b>W</b>		
	APERTURE	CEILING TYPE / MOUNTING	LAMPING	LENGTH	OPTIC	HOUSING COLOR	VOLTAGE / BALLAST	OPTIONS
	<b>SCON4</b> SLOTLIGHT Continuous 4" Recessed	<b>IN</b> 9/16" Lay-in, Flush <b>SG</b> 9/16" Slot Grid 9" x 16 Grid, Tegular	<b>1T5</b> (1) T5 <b>1H5</b> (1) T5 HO <b>1T8</b> (1) T8	<b>4 ft.</b> <b>0047.40</b> (1) 28W T5 <b>0047.40</b> (1) 54W T5 HO <b>0047.40</b> (1) 32W T8	<b>P</b> Opal Lens, Flush	<b>W</b> White	<b>UNV</b> Universal 120V/277V <b>DAU</b> 0-10V, 120/277V - T5, T8 <b>DA1</b> 0-10V, 120V - T5 HO <b>DA2</b> 0-10V, 277V - T5 HO <b>HDU</b> Lutron HiLume 3D, 120/277V	<b>E1</b> Standby Battery Pack, (1) lamp, 120V <b>E2</b> Standby Battery Pack, (1) lamp, 277V
				<b>8 ft.</b> <b>0095.40</b> (3) 21W T5 <b>0095.40</b> (3) 39W T5 HO <b>0095.40</b> (3) 25W T8				
				<b>12 ft.</b> <b>0143.40</b> (2) 28W T5, (2) 21W T5 <b>0143.40</b> (2) 54W T5 HO, (2) 39W T5 HO <b>0143.40</b> (2) 25W T8, (2) 32W T8				
				<b>16 ft.</b> <b>0191.40</b> (2) 21W T5, (3) 28W T5 <b>0191.40</b> (2) 39W T5 HO, (3) 54W T5 HO <b>0191.40</b> (2) 25W T8, (3) 32W T8				
				<b>20 ft.</b> <b>0239.40</b> (5) 28W T5, (1) 21W T5 <b>0239.40</b> (5) 54W T5 HO, (1) 39W T5 HO <b>0239.40</b> (2) 32W T8, (5) 25W T8				
				<b>24 ft.</b> <b>0287.40</b> (1) 21W T5, (6) 28W T5 <b>0287.40</b> (1) 39W T5 HO, (6) 54W T5 HO <b>0287.40</b> (1) 25W T8, (6) 32W T8				
					<b>P</b> Opal Lens, Flush	<b>W</b> White	<b>UNV</b> Universal 120V/277V <b>DAU</b> 0-10V, 120/277V - T5, T8 <b>HDU</b> Lutron HiLume 3D, 120/277V	<b>E1</b> Standby Battery Pack, (1) lamp, 120V <b>E2</b> Standby Battery Pack, (1) lamp, 277V

**Emergency Battery Pack Location**

CEILING TYPE	LENGTH	EM LOCATION
Grid	8 ft	Mid lamp
Grid	12 ft	Indicate lamp on drawing
Grid	16 ft	Indicate lamp on drawing
Grid	20 ft	Indicate lamp on drawing
Grid	24 ft	Indicate lamp on drawing

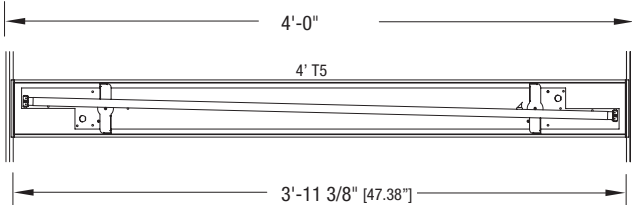


## SLOTLIGHT

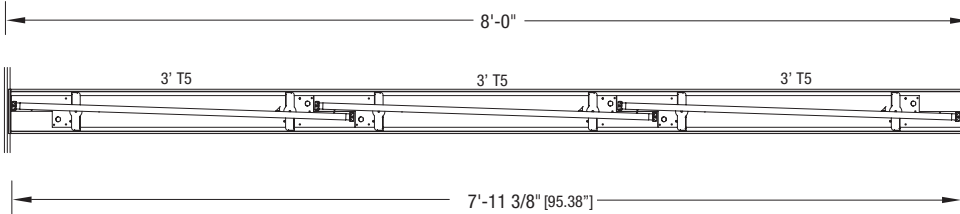
- Ideal for applications in restricted space
- Staggered lamping
- Length options (nominal) for sheetrock ceiling are 4', 8', and longer runs using 4' and 8' Starter, Mid and End Units
- Length options for grid ceiling are 4', 8' 12', 16', 20', and 24'
- Max Ordering Quantity: 200'

### Fixture Dimensions - T5

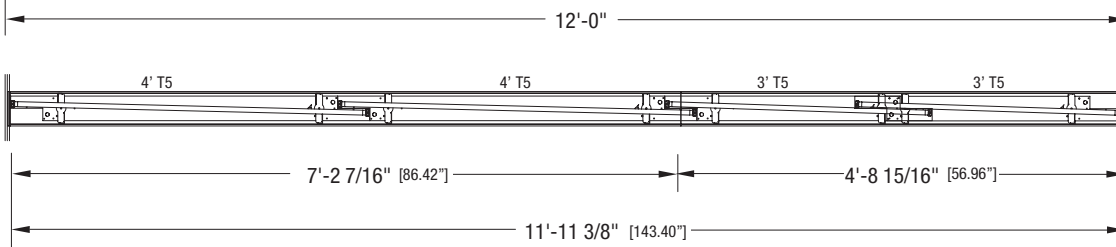
4' T5 Individual - Lay-in, Flush/Slot Grid



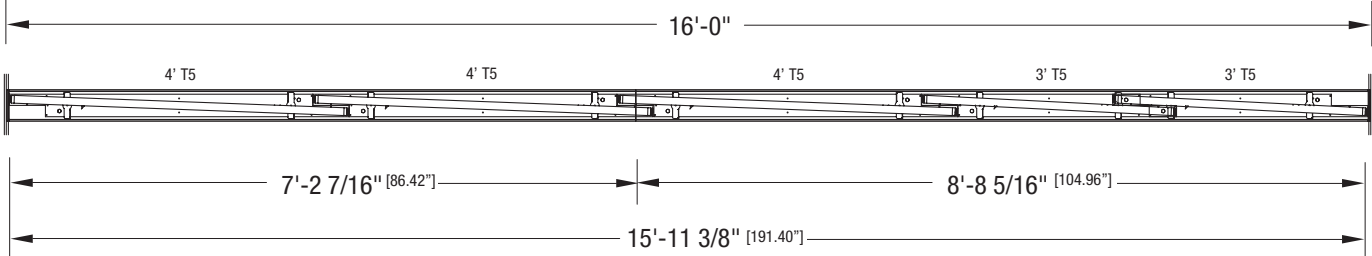
8' T5 Individual - Lay-In, Flush/Slot Grid



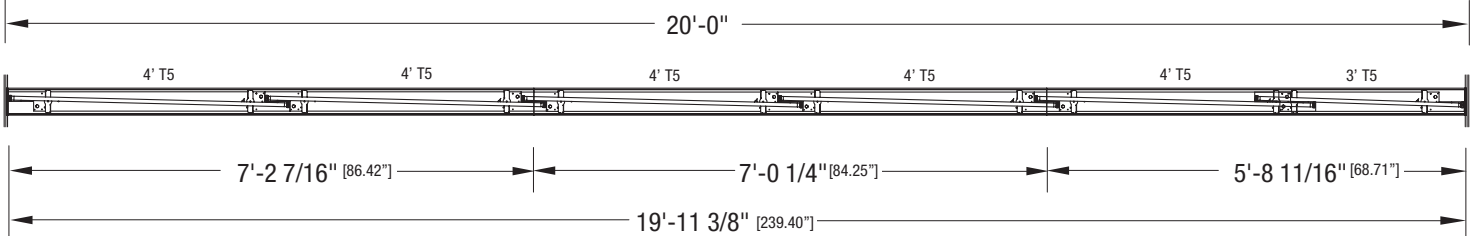
12' T5 Individual - Lay-In, Flush/Slot Grid



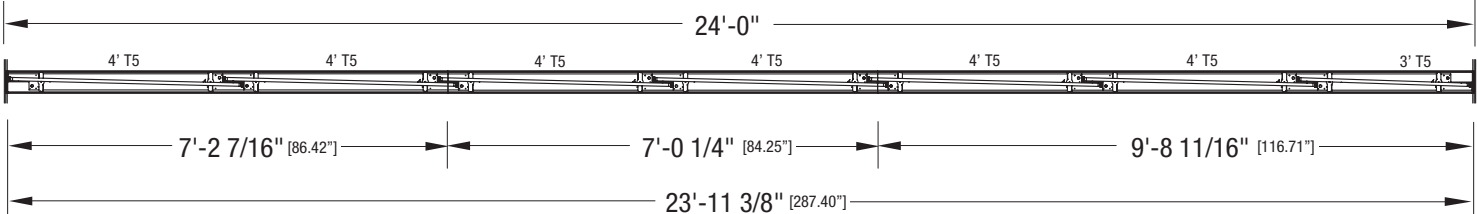
16' T5 Individual - Lay-In, Flush/Slot Grid



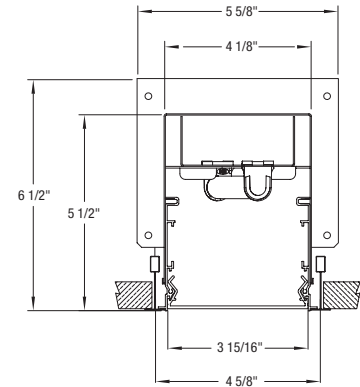
20' T5 - Lay-In, Flush/Slot Grid

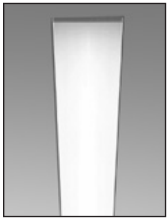


24' T5 - Lay-In, Flush/Slot Grid



4' Lay-In, Flush Cross-Section



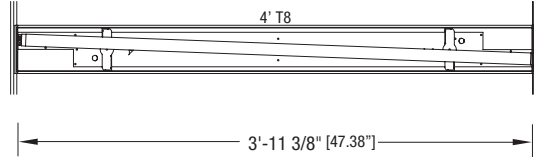


## SLOTLIGHT

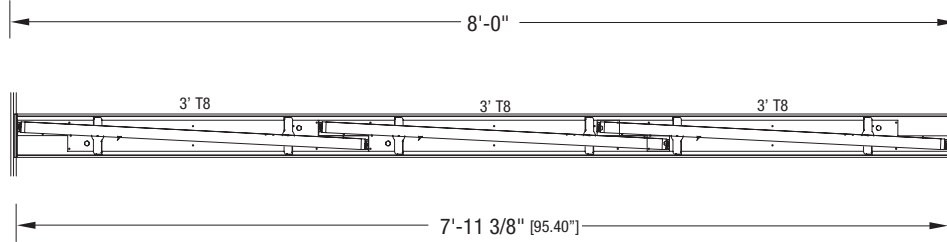
- Ideal for applications in restricted space
- Staggered lamping
- Length options (nominal) for sheetrock ceiling are 4', 8', and longer runs using 4' and 8' Starter, Mid and End Units
- Length options for grid ceiling are 4', 8', 12', 16', 20', and 24'
- Max Ordering Quantity: 200'

### Fixture Dimensions - T8

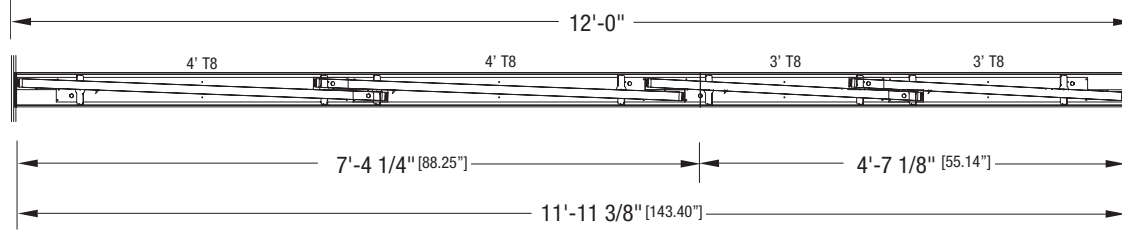
4' T8 Individual - Lay-in, Flush/Slot Grid



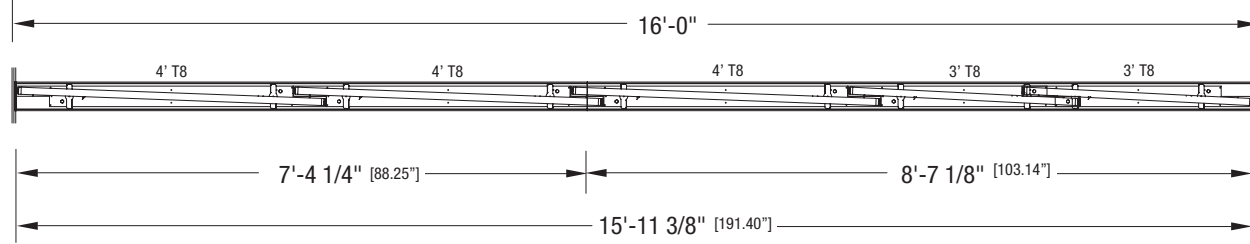
8' T8 Individual - Lay-In, Flush/Slot Grid



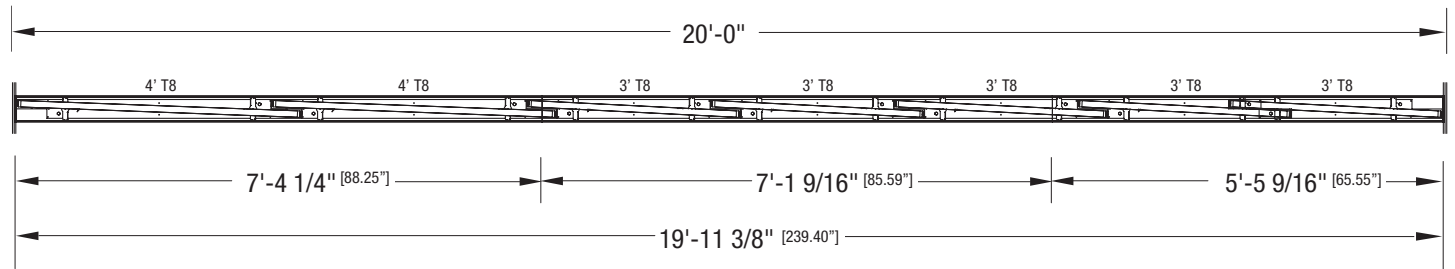
12' T8 Individual - Lay-In, Flush/Slot Grid



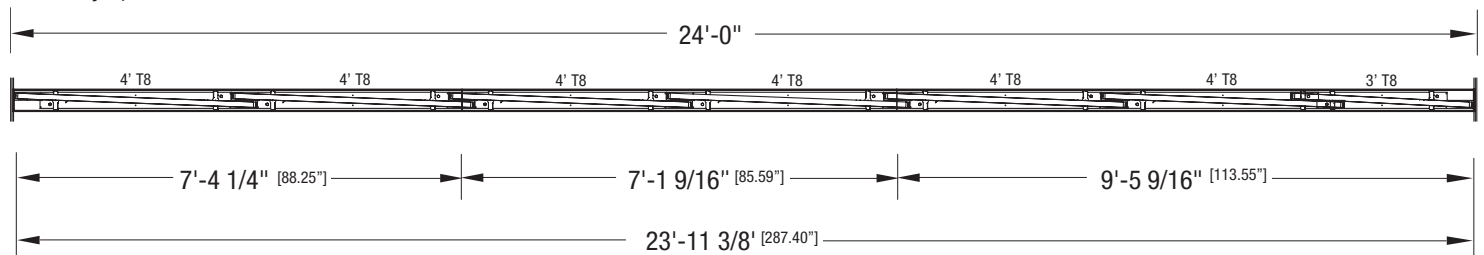
16' T8 Individual - Lay-In, Flush/Slot Grid



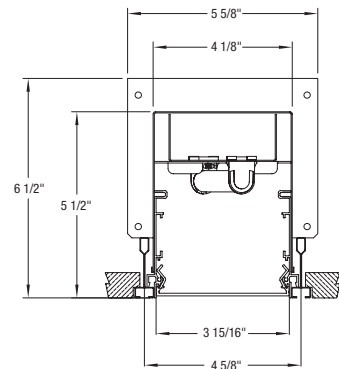
20' T8 - Lay-In, Flush/Slot Grid



24' T8 - Lay-In, Flush/Slot Grid



### 4' Slot Grid Cross-Section





### SPEC-5

- All options come with Matte Clear Trim and White Painted Flange.
- Offers excellent brightness control in a 6" aperture.
- Reflector is one piece spun aluminum with 1/2" flat flange with low iridescence.
- Provided with electronic ballast to power 26W, 32W, or 42W lamping.
- FIF 116

#### SPEC-5 Housing

RTS	HOUSING	BALLAST/VOLTAGE	OPTIONS	ORDERING PART NUMBER	MAX QTY
	<b>S5D6309</b> 6" Vertical Compact Fluorescent Downlight (1) 26W / 32W / 42W Triple Tube	<b>UNV</b> Universal 120/277V	-	<b>05361622</b>	<b>100</b>
			<b>EM</b> Standby Battery Pack	<b>05361624</b>	<b>20</b>
	<b>S5W6309</b> 6" Vertical Compact Fluorescent Wallwasher (1) 26W / 32W / 42W Triple Tube	<b>UNV</b> Universal 120/277V	-	<b>05361622</b>	<b>100</b>
	<b>S5D6309</b> 6" Vertical Compact Fluorescent Downlight (1) 26W / 32W / 42W Triple Tube	<b>S3</b> 347V	-	<b>11001876</b>	<b>75</b>
			-	<b>11001876</b>	<b>75</b>
<b>S5W6309</b> 6" Vertical Compact Fluorescent Wallwasher (1) 26W / 32W / 42W Triple Tube	<b>S3</b> 347V	-	<b>11001876</b>	<b>75</b>	

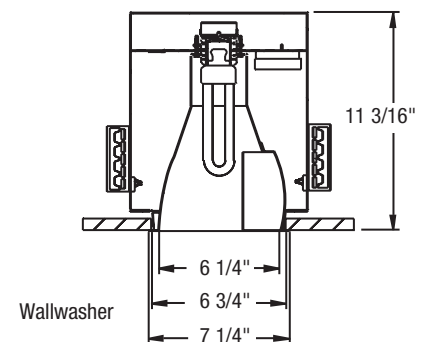
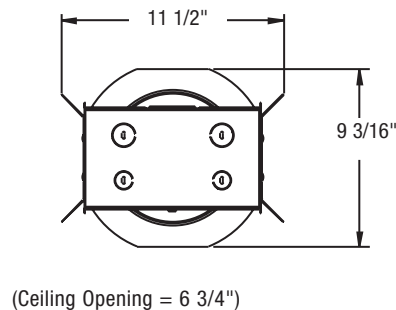
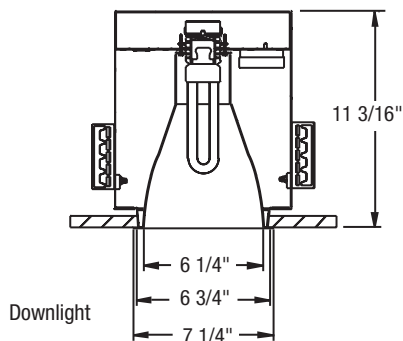
#### SPEC-5 Trim

RTS	HOUSING	TRIM	MC	W	OPTIONS	ORDERING PART NUMBER
			TRIM FINISH	FLANGE		
	<b>S5D6309</b> 6" Vertical Compact Fluorescent Downlight (1) 26W / 32W / 42W Triple Tube	<b>6308R</b> Downlight Reflector	<b>MC</b> Matte Clear	<b>W</b> White	-	<b>6308RMCW</b>
<b>S5W6309</b> 6" Vertical Compact Fluorescent Wallwasher (1) 26W / 32W / 42W Triple Tube	<b>6308W</b> Wallwasher Reflector	<b>MC</b> Matte Clear	<b>W</b> White	<b>EM</b> Standby Battery Pack	<b>6308RMCWE</b>	
						<b>6308WMCW</b>

#### SPEC-5 Mounting

RTS	9930	ORDERING PART NUMBER
	MOUNTING DESCRIPTION	
	<b>9930</b> Set of two 27" C-Channel mounting bars	<b>9930</b>

#### Fixture Dimensions





### SPEC-5

- All options come with Matte Clear Trim and White Painted Flange.
- Offers excellent brightness control in a 6" aperture.
- Reflector is one piece spun aluminum with 1/2" flat flange with low iridescence.
- Provided with electronic 0-10V Dimming Ballast, Universal voltage.
- FIF 116

#### SPEC-5 Housing

RTS	DU		ORDERING PART NUMBER	MAX QTY
	HOUSING	BALLAST/VOLTAGE		
RTS	<b>S5D6309</b> 6" Vertical Compact Fluorescent Downlight (1) 26W / 32W / 42W Triple Tube	DU 0-10V Dimming, 120/277V	<b>05434468</b>	<b>30</b>
	<b>S5W6309</b> 6" Vertical Compact Fluorescent Wallwasher (1) 26W / 32W / 42W Triple Tube	DU 0-10V Dimming, 120/277V	<b>05434468</b>	<b>30</b>

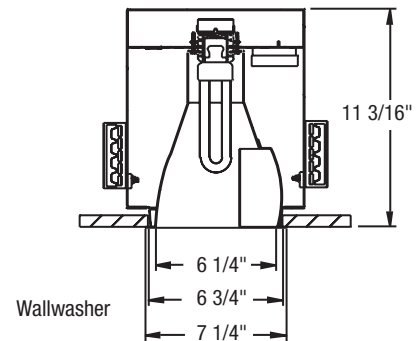
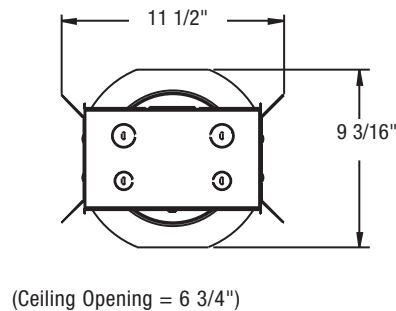
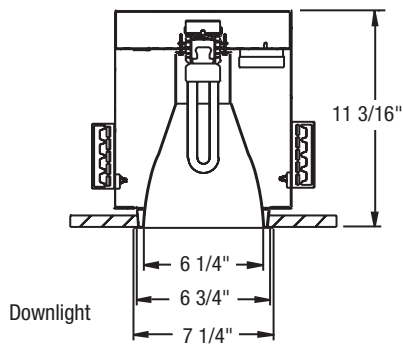
#### SPEC-5 Trim

RTS	HOUSING	TRIM	MC	W	ORDERING PART NUMBER
			TRIM FINISH	FLANGE	
RTS	<b>S5D6309</b> 6" Vertical Compact Fluorescent Downlight (1) 26W / 32W / 42W Triple Tube	<b>6308R</b> Downlight Reflector	MC Matte Clear	W White	<b>6308MCW</b>
	<b>S5W6309</b> 6" Vertical Compact Fluorescent Downlight (1) 26W / 32W / 42W Triple Tube	<b>6308W</b> Wallwasher Reflector	MC Matte Clear	W White	<b>6308WMCW</b>

#### SPEC-5 Mounting

RTS	9930	ORDERING PART NUMBER
	MOUNTING DESCRIPTION	
RTS	<b>9930</b> Set of two 27" C-Channel mounting bars	<b>9930</b>

#### Fixture Dimensions







### SPEC-5

- All options come with Matte Clear Trim and White Painted Flange.
- Offers excellent brightness control in a 6" aperture.
- Reflector is one piece spun aluminum with 1/2" flat flange with low iridescence.
- Provided with Advance Mark X Dimming Ballast.
- FIF 116

#### SPEC-5 Housing

RTS	HOUSING	BALLAST/VOLTAGE	ORDERING PART NUMBER	MAX QTY
	<b>S5D6309</b> 6" Vertical Compact Fluorescent Downlight (1) 26W / 32W / 42W Triple Tube	<b>AX1</b> ADVANCE MARK X 120V	<b>11004088</b>	<b>15</b>
	<b>AX2</b> ADVANCE MARK X 277V	<b>11004089</b>	<b>15</b>	
<b>S5W6309</b> 6" Vertical Compact Fluorescent Wallwasher (1) 26W / 32W / 42W Triple Tube	<b>AX1</b> ADVANCE MARK X 120V	<b>11004088</b>	<b>15</b>	
	<b>AX1</b> ADVANCE MARK X 277V	<b>11004089</b>	<b>15</b>	

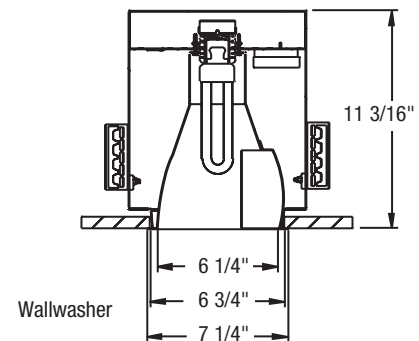
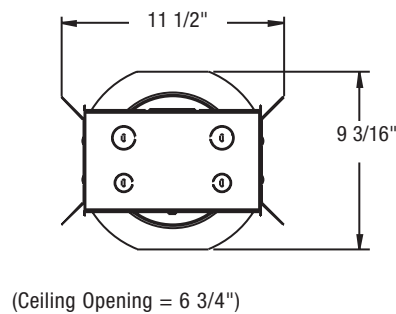
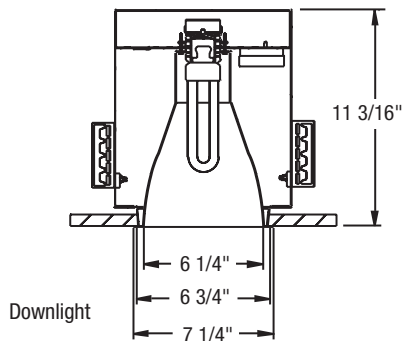
#### SPEC-5 Trim

RTS	HOUSING	TRIM	MC TRIM FINISH	W FLANGE	ORDERING PART NUMBER
	<b>S5D6309</b> 6" Vertical Compact Fluorescent Downlight (1) 26W / 32W / 42W Triple Tube	<b>6308R</b> Downlight Reflector	<b>MC</b> Matte Clear	<b>W</b> White	<b>6308RCW</b>
<b>S5W6309</b> 6" Vertical Compact Fluorescent Downlight (1) 26W / 32W / 42W Triple Tube	<b>6308W</b> Wallwasher Reflector	<b>MC</b> Matte Clear	<b>W</b> White	<b>6308WCW</b>	

#### SPEC-5 Mounting

RTS	9930 MOUNTING DESCRIPTION	ORDERING PART NUMBER
	<b>9930</b> Set of two 27" C-Channel mounting bars	<b>9930</b>

#### Fixture Dimensions





# ZX52

- All options come with Aisle Optic with White Cross-Blades, White Housing, and Universal 120/277V Ballast
- Starters and Individual fixtures come with 70" feed cord
- Order Individual fixtures, or order Starters, Mids, Ends, and Suspensions for Continuous Runs
- Max Ordering Quantity: 200'

ZOOM! 10 Days	FIXTURE	LAMPING	LENGTH	LA	W	U	FEED	ORDERING PART NUMBER	FIF
				OPTIC	HOUSING COLOR	VOLTAGE/BALLAST			
	ZX52SI ZX52 Individual	1545 (1) 54W T5HO	4 4 ft.	LA Aisle Optic, Specular Internal Reflector with White Cross Blades	W White	U Universal 120/277V	CF1 70" feed cord for pendant mount attached to Individuals and Starters	11003229	1016
	ZX52S ZX52 Starter	1545 (1) 54W T5HO	4 4 ft.	LA Aisle Optic, Specular Internal Reflector with White Cross Blades	W White	U Universal 120/277V	CF1 70" feed cord for pendant mount attached to Individuals and Starters	11002893	1016
	ZX52M ZX52 Mid	1545 (1) 54W T5HO	4 4 ft.	LA Aisle Optic, Specular Internal Reflector with White Cross Blades	W White	U Universal 120/277V	-	11002894	1016
	ZX52E ZX52 End	1545 (1) 54W T5HO	4 4 ft.	LA Aisle Optic, Specular Internal Reflector with White Cross Blades	W White	U Universal 120/277V	-	11002895	1016
	ZX52I ZX52 Individual	2545 (2) 54W T5HO	8 8 ft.	LA Aisle Optic, Specular Internal Reflector with White Cross Blades	W White	U Universal 120/277V	CF1 70" feed cord for pendant mount attached to Individuals and Starters	11003230	1016
	ZX52S ZX52 Starter	2545 (2) 54W T5HO	8 8 ft.	LA Aisle Optic, Specular Internal Reflector with White Cross Blades	W White	U Universal 120/277V	CF1 70" feed cord for pendant mount attached to Individuals and Starters	11002896	1016
	ZX52M ZX52 Mid	2545 (2) 54W T5HO	8 8 ft.	LA Aisle Optic, Specular Internal Reflector with White Cross Blades	W White	U Universal 120/277V	-	11002899	1016
	ZX52E ZX52 End	2545 (2) 54W T5HO	8 8 ft.	LA Aisle Optic, Specular Internal Reflector with White Cross Blades	W White	U Universal 120/277V	-	11002902	1016
ZX52I ZX52 Individual	3545 (3) 54W T5HO	12 12 ft.	LA Aisle Optic, Specular Internal Reflector with White Cross Blades	W White	U Universal 120/277V	CF1 70" feed cord for pendant mount attached to Individuals and Starters	11003234	1016	
ZX52S ZX52 Starter	3545 (3) 54W T5HO	12 12 ft.	LA Aisle Optic, Specular Internal Reflector with White Cross Bladess	W White	U Universal 120/277V	CF1 70" feed cord for pendant mount attached to Individuals and Starters	11003231	1016	
ZX52M ZX52 Mid	3545 (3) 54W T5HO	12 12 ft.	LA Aisle Optic, Specular Internal Reflector with White Cross Blades	W White	U Universal 120/277V	-	11003232	1016	
ZX52E ZX52 End	3545 (3) 54W T5HO	12 12 ft.	LA Aisle Optic, Specular Internal Reflector with White Cross Blades	W White	U Universal 120/277V	-	11003233	1016	

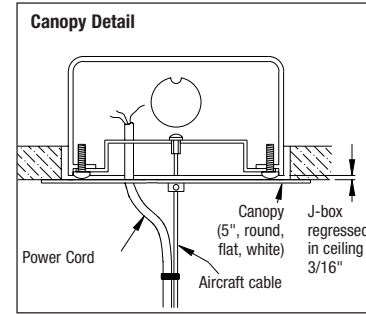
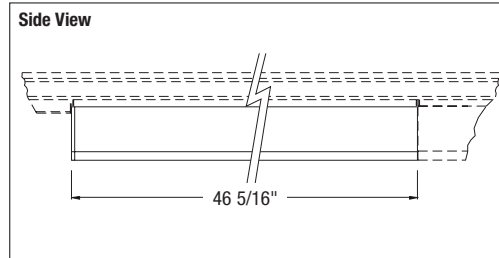
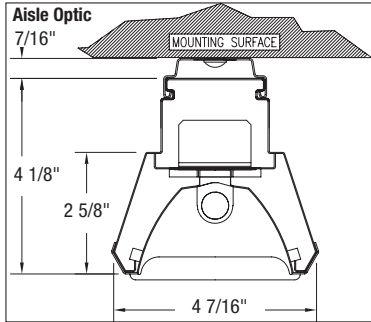
ZOOM! 10 Days	ZX52	CBL070		
	FIXTURE	MOUNTING	CANOPY	ORDERING PART NUMBER
	ZX52 ZX52	CBL070 70" Cable	J5FW J-box mounting, 5" round, flat canopy, White	11002904
ZX52 ZX52	CBL070 70" Cable	T5FW T-bar mounting, 5" round, flat canopy, White	11002905	

ZOOM! 10 Days	ZX52	CBL070		
	FIXTURE	MOUNTING	CANOPY	ORDERING PART NUMBER
	ZX52 ZX52	CBL070 70" Cable	J5W J-box mounting, 5" round, flat canopy, White	11002907
ZX52 ZX52	CBL070 70" Cable	S5W 1/4-20, 5" flat canopy, White	11002908	

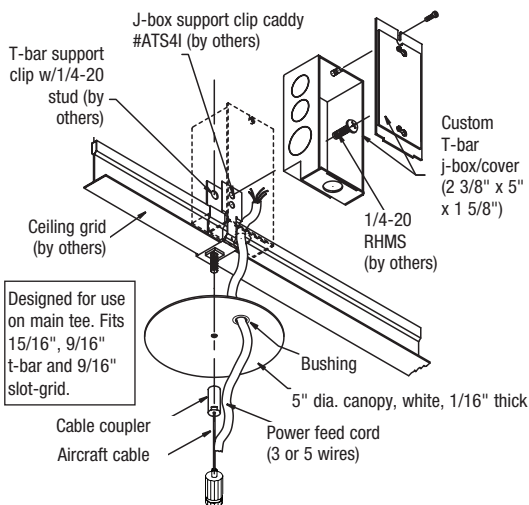


## ZX52

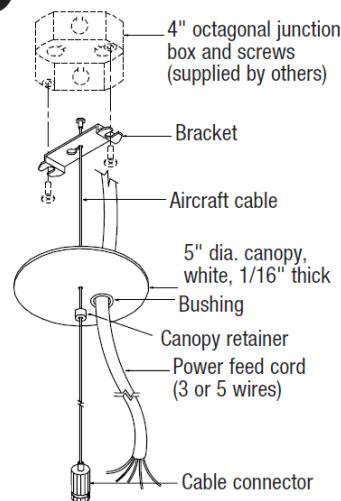
- All options come with Aisle Optic with White Cross-Blades, White Housing, and Universal 120/277V Ballast
- Starters and Individual fixtures come with 70" feed cord
- Order Individual fixtures, or order Starters, Mids, Ends, and Suspensions for Continuous Runs
- Max Ordering Quantity: 200'



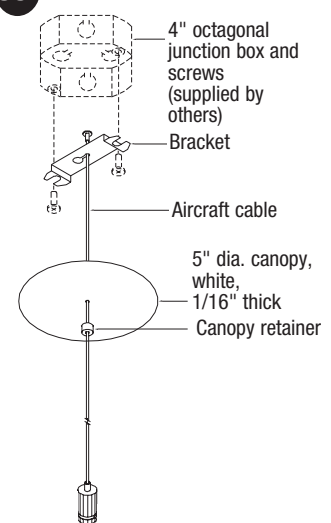
### T5 T-bar Mounted with Power Feed



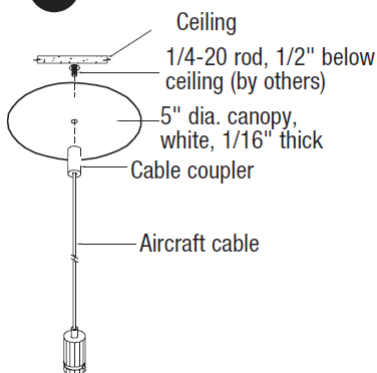
### J5 J-box Mounted with Power Feed



### J5 J-box Mounted Non-Power Feed



### S5 1/4-20 Fastener



## **Ready to Ship Program**

Effective September 23, 2013  
Supersedes all previous  
guides

ZOOM! 10 Days Program  
Ready to Ship Program

Zumtobel Lighting, Inc.

3300 Route 9W  
Highland, NY 12528

Main: 845-691-6262  
Toll Free: 800-448-4131  
Email: [zli.us@zumtobel.com](mailto:zli.us@zumtobel.com)

9/13 © Zumtobel Lighting, Inc.  
In a continuing effort to offer the best product possible we reserve the right to change, without notice, specifications or materials that in our opinion will not alter the function of the product. Technical data was correct at time of going to press.