

ARCADE
Wallwasher



ZUMTOBEL

ARCADE
Wallwasher







Aesthetic standard

Functional perfection in critical locations

T16 lamp technology opens up completely new creative opportunities for luminaire design. This shows in the unmistakable design language of ARCADE. The size of the luminaires is reduced considerably; the slim-line luminaire housings thus provide a harmonious and elegant appearance either on their own, or when arranged in series. They boast excellent variability and functionality for demanding creative lighting design and room concepts, which in turn opens up many different new areas of application.

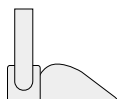


Scope for effective lighting and purposeful direction of light

In museums and galleries, the right, individually appropriate lighting provides an essential contribution towards the successful presentation of exhibits. In this context, many different requirements must be taken into account; they include everything from direct lighting and indirect lighting up to vertical, uniform illumination of paintings and wall arrangements. The ARCADE 600/1200 luminaire models satisfy the many different requirements of exhibition organisers, since they can be used as spotlights, wallwashers or uplights.

Depending on the position of the luminaire housing which can be pivoted through $2 \times 90^\circ$, the light from the parabolic specular reflector is used as follows:

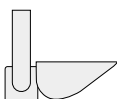
*Horizontal
luminaire position
(Downlight)*



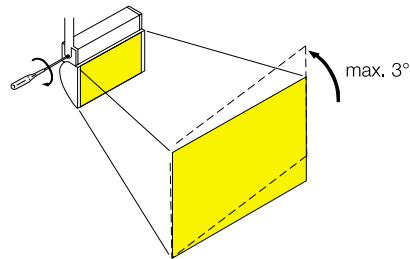
*Vertical
luminaire position
(Wallwasher)*



*Horizontal
luminaire position
(Uplight)*



While ARCADE 600/1200 provides glare-free, indirect room lighting, ARCADE QT-DE fitted with a high-output HV halogen incandescent lamp is perfectly suited for active accent lighting. The upper edge of the light field can be realigned by up to 3° for the exact, photometrically adequate illumination of vertical surfaces, or to clearly and precisely frame objects. The lit area is thus adjusted to ceiling lines or recognisable parallel delimitations.



Glare limitation

Optimised lighting comfort

In order to achieve the best possible glare limitation, a screening shade or vane louvre can be additionally fitted on ARCADE 600/1200. Installation is without the use of any tools; both components can be easily inserted into the groove on both sides, and easily removed by slightly pressing the spring clip.



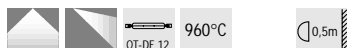


ARCADE QT-DE

C S



- Floodlight for tracks
- Asymmetrical light distribution
 - Lampholder: R7s
 - Mains voltage: 230 V
 - Rotates through 360°; pivots through 90°
 - Housing made of extruded aluminium section and die-cast aluminium



Cat. no.	L	kg	Order no.	Order no.
3-phase spotlight with adapter			<i>white</i>	<i>titanium</i>
1/300 W QT-DE 12°	186	1.0	S7 121 660	S7 121 670
1-phase spotlight with adapter			<i>white</i>	<i>titanium</i>
1/300 W QT-DE 12°	186	1.0	S7 121 680	S7 121 690
Accessories				
Barn doors, black				S7 002 310
Reduction filter UVA				S0 529 500
Screening shade				S7 002 300
Point outlet for surface-mount. spotlight up to 1 kg				
Single-phase, height 30 mm, titanium				S2 803 340
Single-phase, height 30 mm, white				S2 801 490

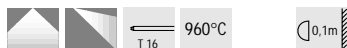
*Contact separation 114.2 mm in accordance with IEC 357

ARCADE T16

C e S

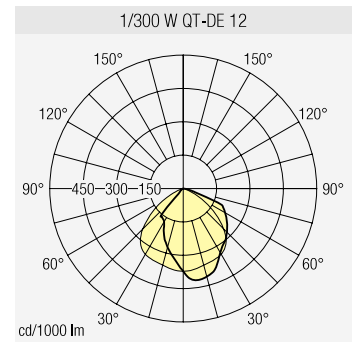
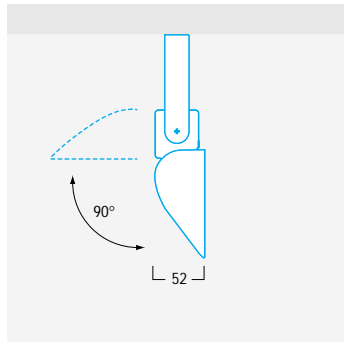
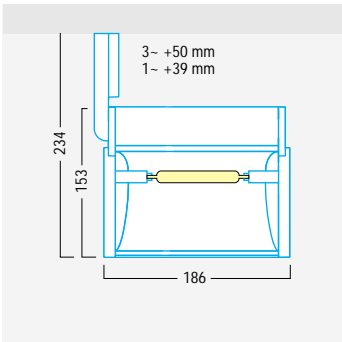


- Floodlight for tracks
- Asymmetrical light distribution
 - Lampholder: G 5
 - T 16, 600 mm, lamp(s): T16 24 W
 - T 16, 1200 mm, lamp(s): T16 54 W
 - Pivots through +/-90°
 - Lamp(s) operated on h.f. electronic ballast
 - Housing made of extruded aluminium section and die-cast aluminium
 - Also as spotlight and uplight
 - Model can also be used as surface-mounted version

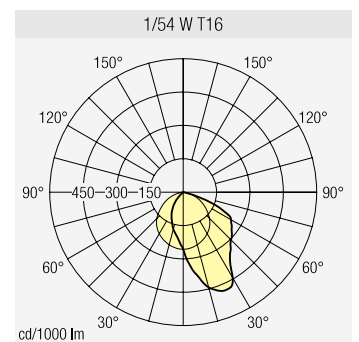
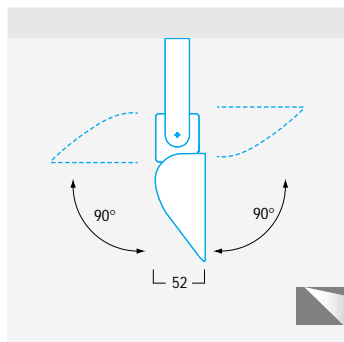
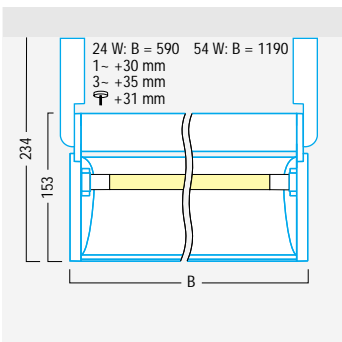


Cat. no.	L	kg	Order no.	Order no.
3-phase spotlight with adapter			<i>white</i>	<i>titanium</i>
1/24 W T16 Wallwasher	590	2.2	S7 121 370	S7 121 380
1/54 W T16 Wallwasher	1190	3.3	S7 121 430	S7 121 440
1-phase spotlight with adapter			<i>white</i>	<i>titanium</i>
1/24 W T16 Wallwasher	590	2.2	S7 121 390	S7 121 400
1/54 W T16 Wallwasher	1190	3.3	S7 121 450	S7 121 460
spotlight with surface-mounted fitting			<i>white</i>	<i>titanium</i>
1/24 W T16 Wallwasher	628	2.2	S7 121 410	S7 121 420
1/54 W T16 Wallwasher	1228	3.3	S7 121 470	S7 121 480
Accessories				
Protective glass panel				
1200 mm				S0 529 160
600 mm				S0 529 150
Screening shade				
1200 mm, titanium				S7 002 150
1200 mm, white				S7 002 170
600 mm, titanium				S7 002 140
600 mm, white				S7 002 160
Vane louvre				
1200 mm, black				S7 002 940
600 mm, black				S7 002 930

To specify e.g.: ARCADE QT-DE 3-phase 1/300W white S7 121 660



Vertical luminaire position



Vertical luminaire position

**OFFICES
AND ADMINISTRATION**



**INDUSTRY
AND ENGINEERING**



**PRESENTATION
AND RETAIL**



**ART
AND CULTURE**



**HOTELS
AND CATERING**



**SPORT
AND LEISURE**



**HEALTH &
CARE**



**TRANSIT AREAS
AND CAR PARKS**



Throughout the world, Zumtobel Staff is the competent reliable partner for innovative lighting solutions in all areas of application of professional interior lighting:

- [Offices and Administration](#)
- [Industry and Engineering](#)
- [Presentation and Retail](#)
- [Art and Culture](#)
- [Hotels and Catering](#)
- [Sport and Leisure](#)
- [Health & Care](#)
- [Transit areas and Car parks](#)

With production plants in Austria, Germany, Australia and the USA, and sales organisations in all major European markets as well as commercial agencies in most regions of the world, Zumtobel Staff is one of the biggest international enterprises in the lighting sector.

As a leader in innovation, we guarantee our customers global competence in lighting consulting and design assistance, superior product quality and future-proof technologies – from individual luminaires to electronic lighting management systems.

Corporate goal: We want to use light to create worlds of experience, make work easier and improve communications and safety while remaining fully aware of our responsibility to the environment.

Lighting management	
Track and spots	
Lighting systems	
Downlights/uplights	
Recessed luminaires	
Surface-mounted and pendant luminaires	
Wallwashers	
Uplights, wall lights and task lights	
Batten luminaires and continuous row luminaires	
High-bay reflector luminaires	
Luminaires of higher protection	
Emergency lighting	
Hospital trunking	

United Kingdom

Zumtobel Staff Lighting Ltd.
 Unit 4 - The Argent Centre,
 Pump Lane
 Hayes/Middlesex UB3 3BL
 Tel. +44/(0)20 8589 1800
 Fax +44/(0)20 8756 4800

International Freephone/fax numbers:

Tel. 00800 THE LIGHT
 or 00800 843 54448
 Fax 00800 0843 5444

E-Mail: info@zumtobelstaff.co.at
<http://www.zumtobelstaff.com>

USA/Canada/Mexico

Zumtobel Staff Lighting
 3300 Route 9W
 Highland, New York 12528
 Tel. +1/(0)845/691 62 62
 Fax +1/(0)845/691 62 89
<http://www.zumtobelstaffusa.com>

Australia

Zumtobel Staff (Australia) Pty. Ltd.
 2 Wella Way
 2250 AUS-Somersby, NSW
 Tel. +612/(0)43/402 140
 Fax +612/(0)43/402 108

Head offices

Zumtobel Staff GmbH
 Schweizer Strasse 30
 Postfach 72
 A-6851 Dornbirn, AUSTRIA
 Tel. +43/(0)5572/390-0
 Fax +43/(0)5572/22 826

Zumtobel Staff GmbH & Co. KG

Grevenmarschstr. 74-78
 D-32657 Lemgo, GERMANY
 Tel. +49/(0)5261/2 12-0
 Fax +49/(0)5261/2 12-9000

Art.-No. 04 571 735-UK 11/01 © Zumtobel Staff
 Technical data was correct at time of going to press.
 We reserve the right to make technical changes without notice.
 Please contact your local sales office for further information.
 Printed on environmentally-friendly chlorine-free paper.