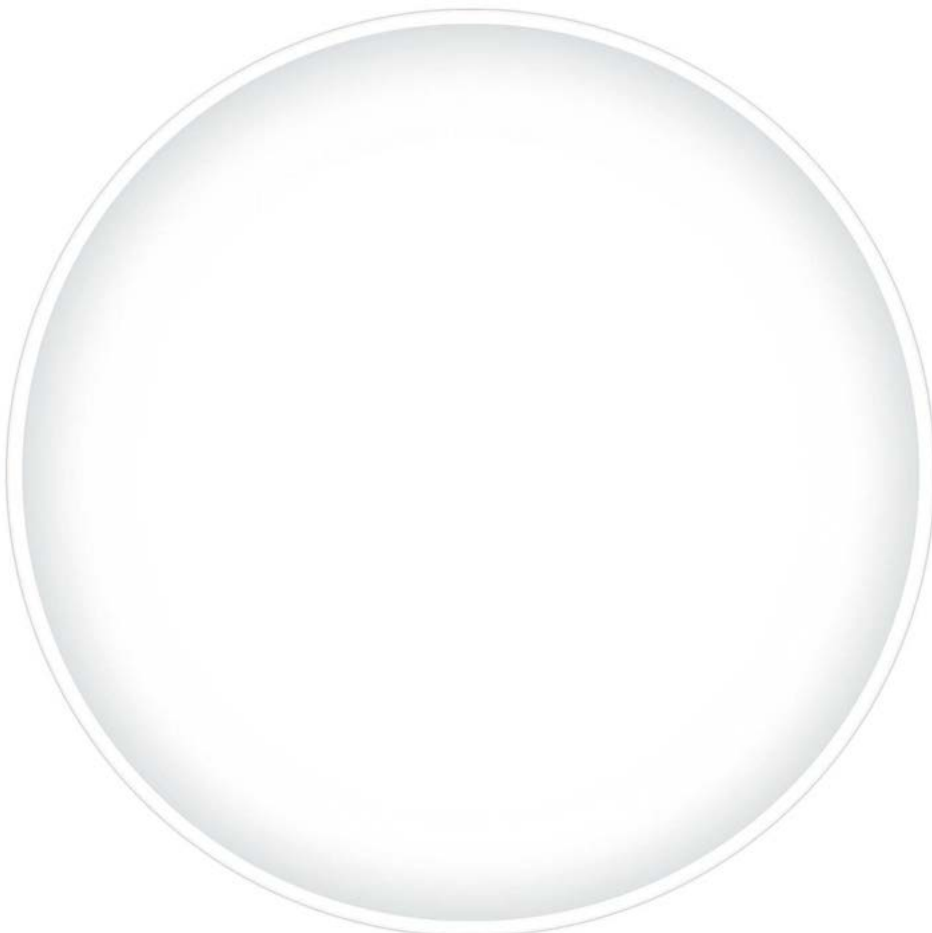


**PANOS
INFINITY****LED downlight range**

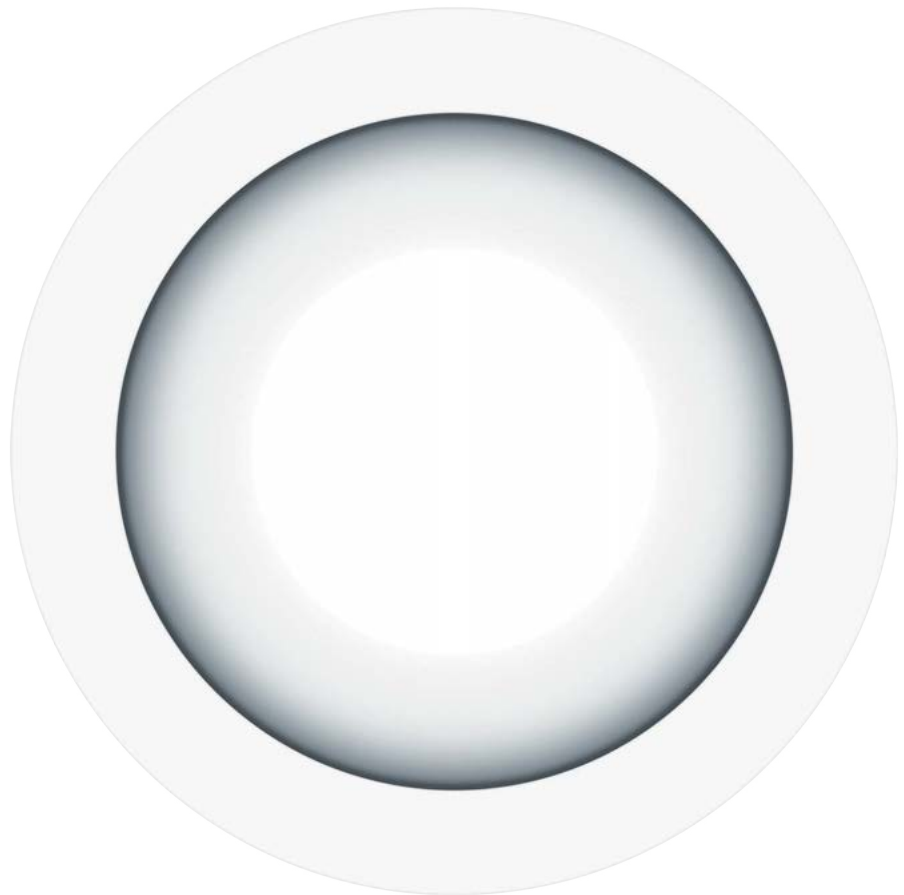
The new age of light
and efficiency.



[linked](#)

All order numbers in the PDF are linked
to the Zumtobel online catalogue.

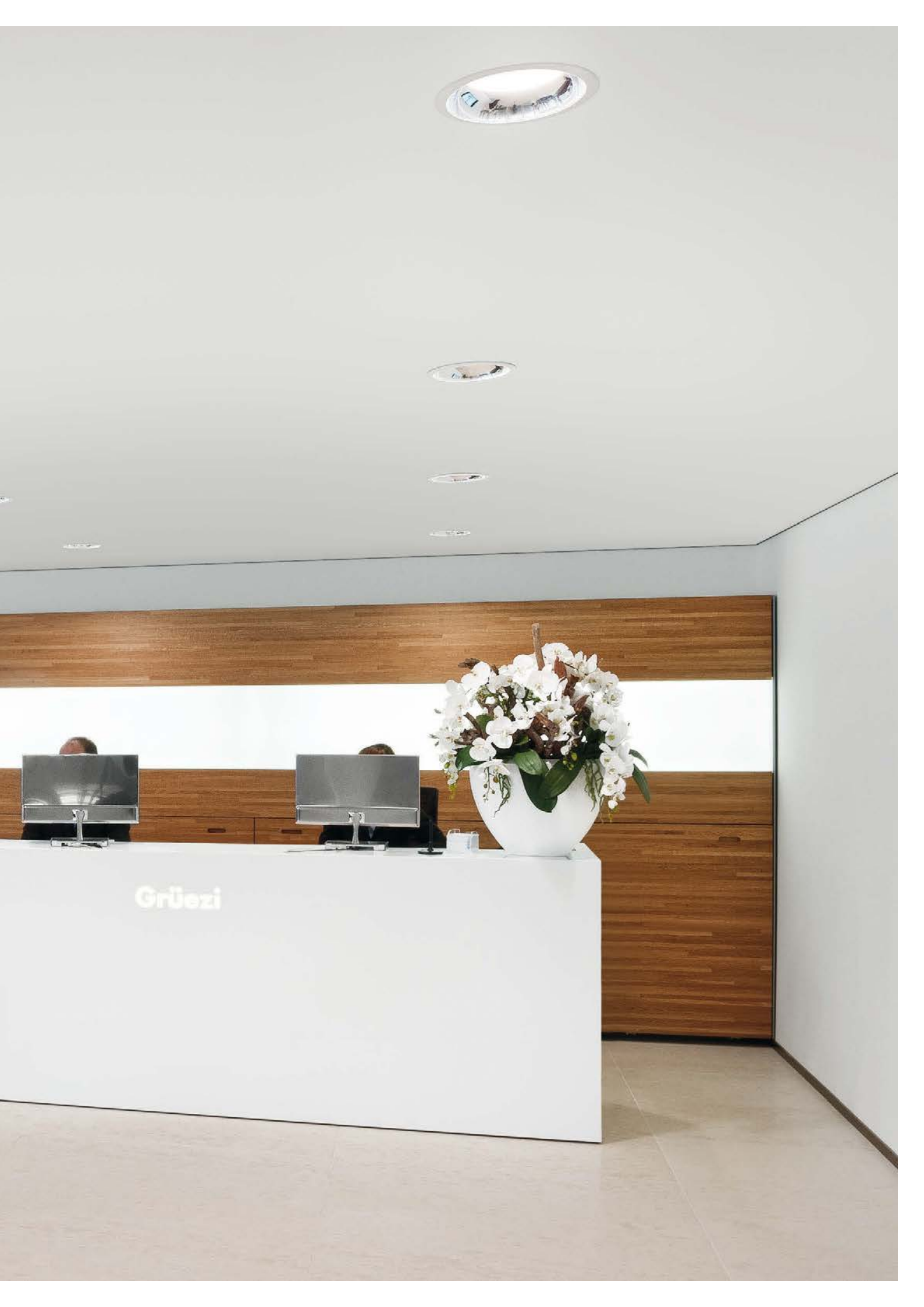
PANOS INFINITY
Model: E100 HG with frame | 1:1 scale



Reference	Application area: Offices and Communication	04
Design	Sottsass Associati	06
PANOS INFINITY	The new age of light and efficiency	08
	Best energy efficiency on the market	12
	Best lighting quality on the market	14
	Infinity Optical System	18
	Safest technological concept	20
	Most extensive range	22
Reference	Application area: Presentation and Retail	24
Product matrix	Product overview	26
Reference	Application area: Art and Culture	32
PANOS INFINITY+	Extended portfolio for maximum efficiency, minimum size	34
PANOS INFINITY 100	Maximum efficiency within minimum space	36
PANOS INFINITY wallwasher	Impressive lighting quality with unique energy efficiency	38
	Design and installation of wallwashers	40
PANOS INFINITY A	Surface-mounted instead of recessed	42
PANOS INFINITY	Decorative accessories	46
	Frameless installation	48
PANOS INFINITY Q	Installation of square model	50
References	Examples of application versatility	52
Products	Catalogue information	54



Zürcher Kantonalbank, Zurich / CH
Architects: Se-Arch, Zurich / CH
Lighting solution: LIGHT FIELDS recessed LED luminaires,
SLOTLIGHT LED light lines, PANOS INFINITY LED downlights,
CRAYON and MICROS, LUXMATE lighting control system





“I don’t think light is just about a quantity of lumen. Sometimes light is about the complete sky falling into a room or space”.



Chris Redfern
Sottsass Associati | Design



Built almost 2000 years ago, the Pantheon remains a mystery up to this day. Light and architecture form a unity. The only source of light is the circular opening at the apex of the cupola. The sun defines time and space through light and colour. It is this balance which Chris Redfern wanted to express in the design of PANOS INFINITY: light approaching natural daylight. Light with pleasant colour temperatures and the option to adjust them to an individual's preference. A luminaire that disappears in architecture. It is as small and simple as possible, yet at the same time very powerful and efficient. In other words: a luminaire for the future that will still be popular and still work perfectly in the future.



PANTHEON, Rome | around 120 AD

PANOS INFINITY The new age of light and efficiency.

1

PANOS INFINITY

Best energy efficiency on the market

» For details see page 12.

- PANOS INFINITY+ downlights with unique luminaire efficiency of > 100 lm/W
- With up to 85 lm/W, PANOS INFINITY downlights are twice as efficient as conventional downlights
- PANOS INFINITY wallwashers achieve luminaire efficiency levels of > 80 lumens per watt
- High luminous flux of luminaire > 1000 lumens > 1800 lumens or > 2400 lumens in the case of Stable White model and > 900 or > 1400 lumens in the case of Tunable White model
- Standard version = DALI-dimmable, hence potential for energy savings of further 70 %
- No extra costs compared to dimmable downlights with compact fluorescent lamps
- Additional savings through lower maintenance costs
- **eco⁺**

2

PANOS INFINITY

Best lighting quality on the market

» For details see page 14.

- Stable White:
stable colour temperature of 3000 Kelvin or 4000 Kelvin
- Tunable White:
colour temperature adjustable from 2700 Kelvin to 6500 Kelvin
- Excellent colour rendering throughout entire service life
- Absolutely glare-free reflectors for office spaces (UGR < 19)
- Symmetrical wide-angle light distribution
- Uniform, asymmetrical light distribution (wallwasher)

3

PANOS INFINITY

Safest technological concept

» For details see page 20.

- Service life: 50,000 hours in the case of L70 or L80 (models E100 and WW150)
- Highly efficient passive cooling system
- Future-proof through modular cartridge system
- Stable colour temperature with constant lighting quality
- Modular structure of optical system for later exchange of modules
- 5-year guarantee

4

PANOS INFINITY

Most comprehensive range

» For details see page 22.

- Economically efficient general lighting for all areas of application: replaces existing 18 W/26 W/32 W downlights in single- and twin-lamp versions
- Circular downlights with a diameter of 100 mm (new), 150 mm and 200 mm. Square downlights with a side length of 140 mm and 190 mm, with mounting depths across both ranges varying from 100 mm to 140 mm dependant on the model.
- Wallwashers with a diameter of 200 mm and now also 150 mm
- Circular and square surface-mounted luminaires
- With visible frame or frameless
- Symmetrical, wide-angle light distribution up to 2 x 40°
- Wide choice of high-quality precision reflectors
- Accessories: decorative ring, decorative frame, decorative cylinder, decorative cube, decorative panel, glare control ring, glare control frame, IP protection, concrete casting surround



PANOS INFINITY

Best energy efficiency on the market

The most efficient downlight on the market

» For more information see page 18.

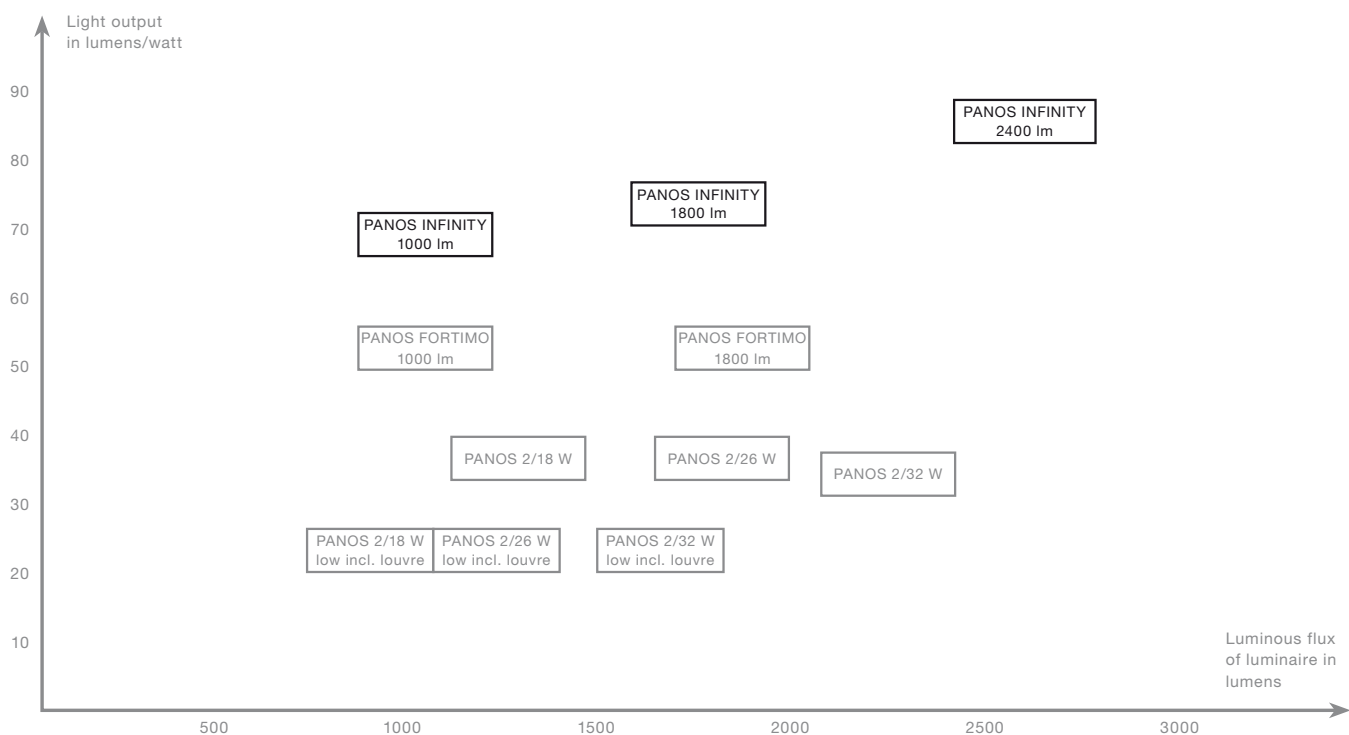
With a system light output of up to 100 lm/W, PANOS INFINITY is twice as efficient as conventional downlights, on average. At a comparable system output of 2 x 26 W, these provide only 40 lm/W. This excellent efficiency is achieved through high-grade materials and innovative technologies that are combined within the optical system of PANOS INFINITY. With output levels of up to > 80 lm/W, the wallwasher combines excellent luminaire efficiency with uniform vertical light distribution.

Unbeatable lumen packages

Only 12 W are sufficient for PANOS INFINITY to produce a luminous flux up to 960 lumens; for over 1800 and 2400 lumens, the LED downlight only requires 23 W and 32 W, respectively. With this high system light output, PANOS INFINITY downlights are an alternative to all 18 W/26 W/32 W compact fluorescent lamps in single- and twin-lamp versions.

Comparison of downlights

Last update: 2011



DALI-dimmable as standard

The standard version of PANOS INFINITY is continuously dimmable from 5 to 100 % via DALI. By integrating intelligent control modules, additional options to reduce energy consumption are provided. Depending on the application, these are up to:

-30% manual dimming

-50% manual dimming + presence detectors

-70% manual dimming + presence detectors + daylight-based control

Minus 20 percent

eco⁺

The new product label indicating a high-quality rating in terms of criteria relevant to consumption. **eco⁺** is a holistic product label evaluating all system components involved and the lighting quality of a luminaire. **eco⁺** falls below the levels specified by existing energy directives by as much as 20 %.

For more information on **eco⁺**, please visit www.zumtobel.com/eco

PANOS INFINITY LG 200
2400 lumens with frame



PANOS INFINITY HG 200
2400 lumens with frame



For the latest luminaire efficiency data, please refer to the respective luminaire data sheet or the online catalogue.

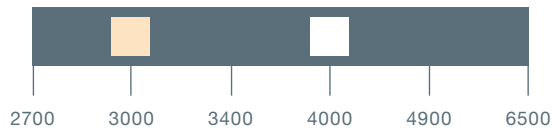
PANOS INFINITY

Best lighting quality on the market

PANOS INFINITY Stable White

The warm, pleasant light with stable colour temperature given by PANOS INFINITY sets new standards in quality. In order to reach the colour temperature required, red LEDs are mixed with highly efficient white LEDs. In this way, the colour temperature of 3000 K or 4000 K is set while the LEDs are fitted on the board.

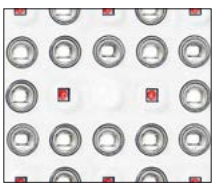
PANOS INFINITY Stable White | 3000 and 4000 Kelvin



Excellent colour rendering

PANOS INFINITY Stable White with Ra values above 90 takes pole position in the LED downlight category. The excellent colour rendering qualities are based on red/white technology. The intelligent interplay of highly efficient white LEDs and red LEDs ensures that virtually the whole light spectrum is rendered – including the crucial long-wave red range (R9), which is covered poorly by many less sophisticated LED technologies.

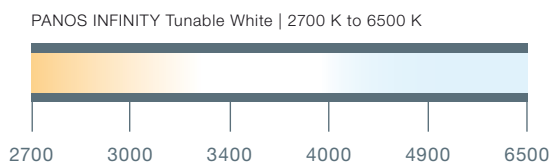
Ra > 90



LED board | Red/white technology

PANOS INFINITY Tunable White

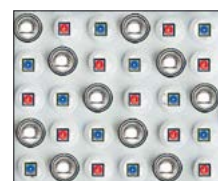
A white-light range of 2700 K to 6500 K offers the user a wealth of options to adjust the colour temperature to the respective application, architecture or object. PANOS INFINITY Tunable White is able to follow the course of daylight or highlight selected surfaces – with an excellent colour rendering index of Ra 90. In addition to visual and emotional influences, the natural course of daylight can be simulated by dynamic colour temperature changes, supporting the human circadian rhythm.



Excellent dynamic colour temperatures

Apart from high variable colour temperatures, the unique Pi-LED technology provides for colour rendering of Ra 90 without altering the colours. Hence, Pi-LED technology is by far superior to other technologies regarding changing colour temperatures. Since the introduction of device type 8 luminaires in 2010, colour temperature has been controlled via LUXMATE LITENET, the EMOTION touch panel, or the CIRCLE tune control point.

Ra 90



Pi-LED board | Tunable White

PI-LED



PANOS INFINITY

Best lighting quality on the market



PANOS INFINITY | model: LF 200 with glare control ring



PANOS INFINITY Q | model: Q190 LG with anti-glare frame

Glare-free, highly efficient lighting at the workplace

For office and communication areas, EN 12464 stipulates luminaires offering good glare control with a glare control factor of $UGR < 19$. All PANOS INFINITY downlights meet this requirement: both round and square luminaires, those with a recessed depth of 100 mm and 125 mm as well as those with 140 mm. In the 'High' version, this is achieved through the high-quality HF or HG reflector. With the 'Low' version, glare control at a level of $UGR < 19$ is ensured by an inner anti-glare ring. Since this ring, which is available as an accessory, is attached to the inside of the reflector, it can also be used for the frameless version – a novelty on the market. Equally unique is the combination of maximum glare control and efficiency: for Low versions with glare control ring ($LOR > 70\%$) and for High versions with $UGR < 19$ without additional accessories.



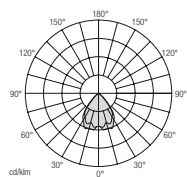
PANOS INFINITY | model: HG 200 without glare control ring



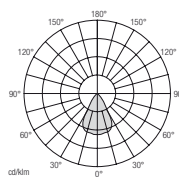
PANOS INFINITY Q | model: Q190 HG without anti-glare frame

Symmetrical wide-angle light distribution

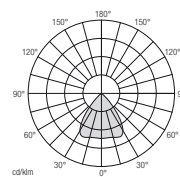
The symmetrical, wide-angle light distribution of PANOS INFINITY downlights is suitable for all typical downlight applications.



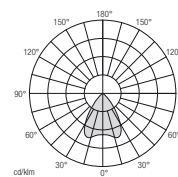
PANOS HF 200 2/26 W



PANOS Fortimo 1800 lm

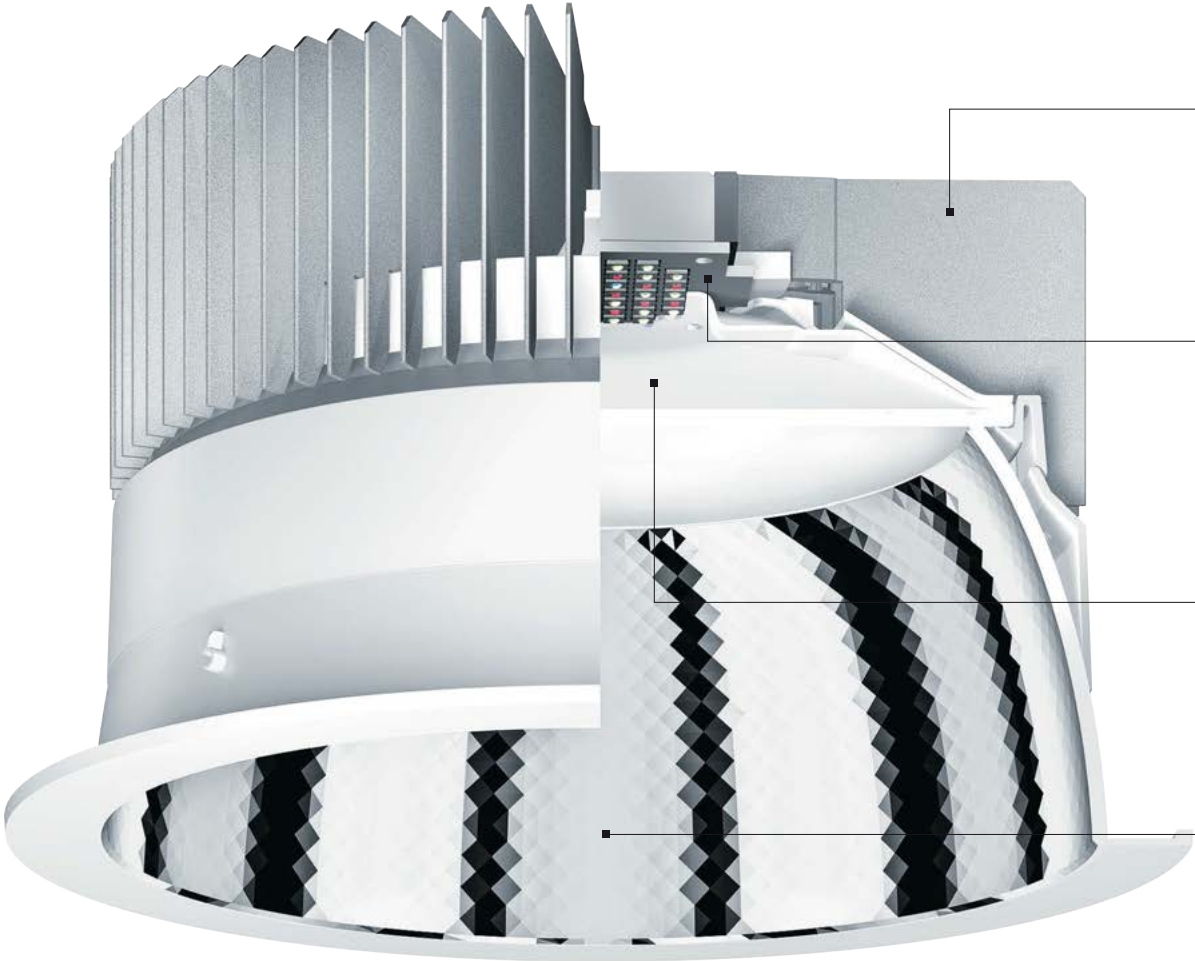


PANOS INFINITY 2400 lm



PANOS INFINITY Q 2400 lm

PANOS INFINITY
Infinity Optical System



PANOS INFINITY | model: HF 200 with frame

1

Highly efficient passive cooling system made of extruded aluminium. At a compact diameter, the slender cooling ribs of the system (patent pending) use an extraordinarily large surface to sustainably cool the LED.

2

“BEST-IN-CLASS” technologies In order to meet the big challenge of providing colour temperature stability, Zumtobel makes use of superior board technologies, such as red/white technology for PANOS INFINITY Stable White or Pi-LED for PANOS INFINITY Tunable White.

3

Highly efficient lighting chamber Highly reflective surfaces in the mixing chamber are perfectly supplemented by a diffuser film featuring an extraordinary degree of emission. This unique concept provides for mixing chamber efficiency levels close to 100 %.

4

High-quality reflector technology By providing precision formed reflectors made of high-quality polycarbonate, Zumtobel ensures optimum light distribution. Depending on the model, these are refined using various technologies. One example is the sputtering of reflectors in specular silver finish. The razor-thin aluminium surface provides for extremely high efficiency levels.

Guarantor of lighting quality and efficiency

The comprehensive know-how in the sphere of lighting applications and luminaire development put Zumtobel in a position to be able to develop an optical system unique in the market. The PANOS INFINITY Optical System combines high-quality materials and innovative technologies in a downlight featuring extraordinary lighting quality and efficiency.

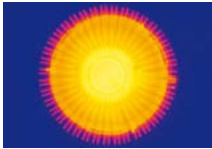
PANOS INFINITY

Safest technological concept



Highly efficient passive cooling system

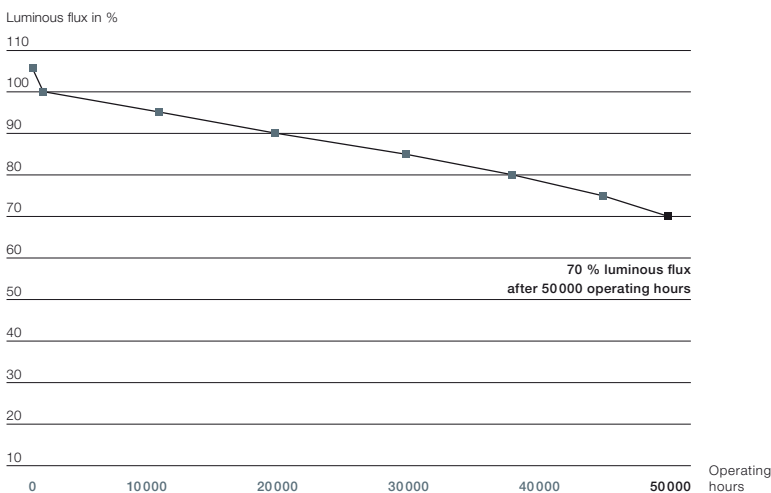
Until recently, active cooling systems were required to reliably cool high LED outputs in extremely confined spaces. PANOS INFINITY is the first to use a passive cooling system (patent pending) that does not require any additional energy. Material, surface and connection to LEDs are the decisive criteria in this respect. For the cooling ribs of PANOS INFINITY Zumtobel uses novel aluminium extrusions. In this way it is possible to create an extraordinarily large cooling surface with compact diameters. The LED board and cooling attachment are closely connected to each other, accordingly a long service life is made possible through permanently perfect cooling.



PANOS INFINITY | infrared heat image model 200

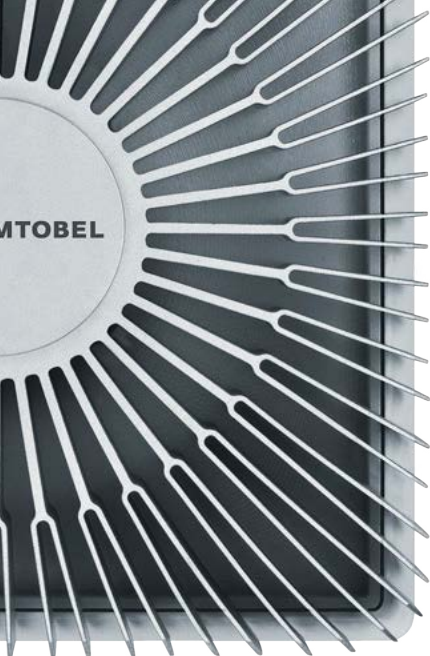
50 000 hours at 70 percent luminous flux

The long service life of the entire PANOS INFINITY LED downlight range is the result of intelligent customising at all levels. Apart from innovative technologies, high-quality materials and careful processing provide a basis for Zumtobel quality with 5-year guarantee.



Top quality – with a five-year guarantee.
As a globally leading luminaire manufacturer, Zumtobel provides a five year manufacturer's guarantee on all Zumtobel branded products subject to registration within 90 days from the invoice date and in accordance with the terms of guarantee at zumtobel.com/guarantee.





FUTURE-PROOF

A modular cartridge system ensures the future of PANOS INFINITY. Without much effort, the LED module can be replaced by a new one. The LED mixing chamber and the cooling system were deliberately combined into a unit, in order to guarantee a thermally ideal connection of the LEDs to the cooling attachment even after replacement, thus maintaining the service life. Mounting ring, control gear and reflector optic remain in place.

1 | Replaceable LED module Each new LED module is also fitted with new LED lighting management gear for constant lighting quality. It is connected to the control gear by way of a plug.

Easy installation of reflector in LED module via twist-and-lock mechanism



Easy installation of reflector via snap-in mechanism



Connection of lamp management and LED module using an RJ45 plug



Connection of lamp management and LED module using an RJ45 plug



2 | Electronic ballast The electronic ballast is DALI-dimmable as standard and supplies SELV current for the LED module.

PANOS INFINITY

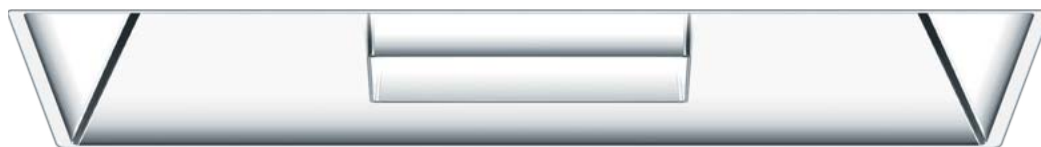
Most comprehensive range



PANOS INFINITY Q | model: Q190 HL with frame | 1:1 scale

Most comprehensive range

With lumen packages of > 1000 lm, > 1800 lm and > 2400 lm for Stable White and > 1600 lm for Tunable White, PANOS INFINITY is an economically efficient alternative for all application areas where downlights fitted with compact fluorescent lamps are used. The wide model range with various reflector surface finishes, frame options, diameters and mounting depths offers an ideal solution for any situation. The familiar mounting functions of the PANOS range, which have proven their worth in many ways, were continued for PANOS INFINITY and optimised in a few respects. Thus, for instance, slip-proof mounting springs improve reliable fastening to the ceiling.



PANOS INFINITY Q | model: Q190 LG frameless with anti-glare frame



Loewe Galerie Haupt, Wildau / DE
Lighting solution: DISCUS LED spotlights,
PANOS INFINITY LED downlights



LOEWE

Es kann nicht jeder
der Norm entsprechen

Manchmal muss man selbst
Normen setzen.

LOEWE



PANOS INFINITY

Product overview

PANOS INFINITY

Diameter



Mounting depths/ surface-mounting heights



Colour temperatures and luminous flux

Stable White: (model E100 only)	Stable White:	Tunable White:
3000 K	3000 K	2700 to 6500 K
4000 K	4000 K	
960 lm	1000 lm 1800 lm 2400 lm	1600 lm

Reflector surface finishes



Mounting frames



Attachment elements



Accessories



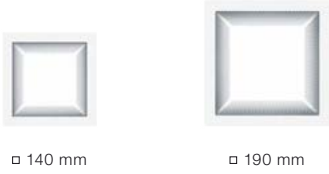
Concrete casting surround

* Only available for models E150 and E200.

PANOS INFINITY Q

PANOS INFINITY WW

PANOS INFINITY A E200



□ 140 mm



□ 190 mm



∅ 150 mm



∅ 200 mm



∅ 235 mm



Low: 100 mm



High: 140 mm



130 mm



142 mm



206 mm

Stable White:
3000 K
4000 K

1000 lm
1800 lm
2400 lm

Tunable White:
2700 to
6500 K

1600 lm

Stable White:
3000 K
4000 K

800 lm

Tunable White:
(model E200 only)
2700 to
6500 K

1600 lm

Stable White:
3000 K
4000 K

1800 lm
2400 lm

Tunable White:
2700 to
6500 K

1600 lm



Facetted

Smooth



Matt

Painted

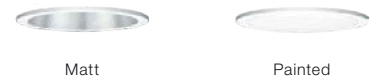


Smooth



Facetted

Smooth



Matt

Painted



With frame

Frameless



With frame

Frameless



High: 140 mm with frame



Transparent IP54 cover

Anti-glare ring



Decorative ring



Decorative cylinder



Decorative panel



Transparent IP54 cover



Anti-glare ring

Decorative cylinder



Decorative panel



Concrete casting surround



Concrete casting surround

PANOS INFINITY A Q227

PANOS INFINITY A E150

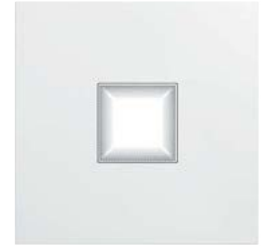
PANOS INFINITY A Q140



□ 227 mm



□ 400 mm



□ 400 mm



206 mm



122 mm

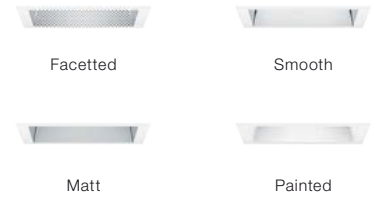


122 mm

Stable White: 3000 K 4000 K	Tunable White: 2700 to 6500 K
1800 lm 2400 lm	1600 lm

Stable White: 3000 K 4000 K	Tunable White: 2700 to 6500 K
1000 lm 1800 lm	1600 lm

Stable White: 3000 K 4000 K	Tunable White: 2700 to 6500 K
1000 lm 1800 lm	1600 lm



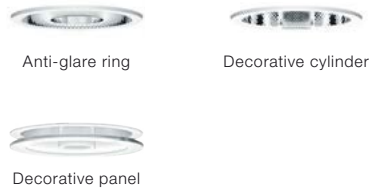
High: 190 mm with frame



Low: 100 mm frameless



Low: 100 mm frameless



ADVANTAGES

PANOS INFINITY

- Recessed diameter same as existing PANOS models (D100, D150, D200)
- Replacing PANOS with conventional lamps by PANOS INFINITY is possible

PANOS INFINITY Q

- Mounting dimensions same as for existing PANOS Q models (Q190)
- Conventional PANOS Q190 can be replaced with PANOS INFINITY Q190
- Additional design available with side length of 140 mm (Q140)

PANOS INFINITY wallwasher

- Recessed diameter same as existing PANOS WW models (D150, D200)
- Conventional PANOS wallwashers can be replaced with PANOS INFINITY wallwashers

PANOS INFINITY surface-mounted

- Round surface-mounted cylinder with a diameter of 235 mm (D235) for E200 High standard luminaires with frame
- Square surface-mounted cylinder with a side length of 227 mm (Q227) for Q190 High standard luminaires with frame
- Flat, square surface-mounted housing with a side length of 400 mm (Q400) for E150 'Low' or Q140 'Low' standard luminaires, frameless

PANOS INFINITY and PANOS INFINITY Q

- 'Low' models for shallow mounting depths in suspended ceiling systems
- Glare control in compliance with EN 12464-1 in all 'High' models (without accessories)
- Anti-glare ring for 'Low' models allows glare control levels of UGR < 19

PANOS INFINITY wallwasher

- Asymmetrical reflector providing excellent efficiency and lighting technology, mounting depths: 125 mm and 142 mm

PANOS INFINITY surface-mounted

- Round and square surface-mounted cylinders, only 206 mm high
- Flat housing (122 mm) for improved integration into overall architecture

- **Stable White** for stable colour temperatures of 3000 K and 4000 K
- **Tunable White** for dynamic colour temperatures of 2700 K to 6500 K:
 - adjusting colour temperatures to natural course of daylight
 - adjusting colour temperatures to match a variety of surfaces/finishes
 - using the emotional effects of light

- Faceted and highly specular reflectors for sophisticated aesthetic and photometric requirements
- White and matt silver reflectors for a uniform, architecturally sophisticated ceiling look

PANOS INFINITY 100

- Low reflectors with UGR < 19
- High reflectors with 45° cut-off angle for perfect darklight effect

PANOS WALLWASHER 150

- High specular reflector with additional MPO lens for superior lighting quality

- Frames of only 4 mm remain in the background
- Frameless version for utmost architectural requirements

- IP44 as standard, IP54 in closed ceilings with accessories:
This makes PANOS INFINITY also suitable for applications requiring a higher protection rating
- Anti-glare ring or frame for UGR < 19 with 'Low' versions
- Decorative accessories enhance interior design and create decorative accents

- Compact casting surround for concrete ceilings







Museo del Novecento, Milan / IT

Architects: Italo Rota, Fabio Fornasari, Milan / IT

Lighting solution: PANOS INFINITY LED downlights, LED spots / special solution, HEDERA LED luminaires, CIELOS modular lighting system, LINARIA light lines, SCUBA moisture-proof luminaires, PERLUCE louvre luminaires, LUXMATE LITENET lighting control system, ARTSIGN and COMSIGN escape sign luminaires



PANOS INFINITY+
Model: LG 200 with frame
2400 lm | 25 W | 1:1 scale



Unique luminaire efficiency

With its outstanding luminaire efficiency of more than 100 lm/W, the new PANOS INFINITY+ luminaire takes the lead among all downlights at present available on the market. The most efficient LED downlight range available on the market is at the ready with 8 models for installation in the ceiling, all with a diameter of 200 mm. When it comes to luminous flux, versions with more than 2400 lumens are available, either with 3000 K or with 4000 K. Functional versatility is ensured thanks to two reflectors: smooth and faceted optics are available for recessed depths of 100 mm and 140 mm.

The best of the best

The design of PANOS INFINITY+ is fully matched to the range's overall concept, including an identical lighting chamber. State-of-the-art technology inside provides additional benefits. Integrated Stable White technology makes the luminaire extremely efficient and ensures a particularly high level of lighting quality with a colour rendering index of $R_a > 90$. The future-proof technological concept is further enhanced by the downlight's modular structure and unique thermal management.

PANOS INFINITY+

Diameter
ø 200 mm

Recessed depth
Low version: 100 mm
High version: 140 mm

Colour temperatures
3000 K | 4000 K

Lumen package
> 2400 lm

Reflector surfaces
Faceted | smooth

Mounting frame
Model with frame only

Attachments and accessories
see Product range overview
Page 26

PANOS INFINITY+
Model: HG 200 with frame
> 2400 lm



> 100 lm/W

PANOS INFINITY+

Extended portfolio for even higher efficiency

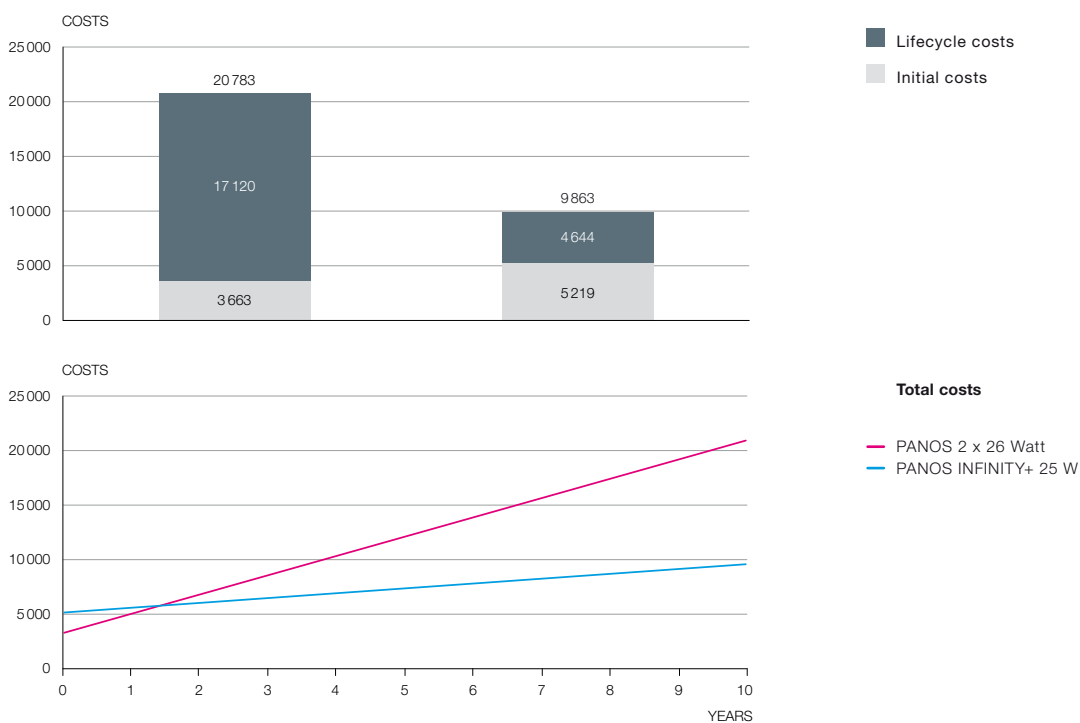


Switchable

Cost comparison: installation with a service life of 10 years

49 luminaires
PANOS HF 2/26 W

25 luminaires
PANOS INFINITY+
2400 lm, 25 W



Design example using ecoCALC

Office with a floor area of 10 x 10 m, required illuminance on the task level (H=0.75 m, distance from the edge: 0.5 m) is 500 lux

Fittings	PANOS HF 2/26 W TC electr. ballast	PANOS INFINITY+ 2400 lm, 25 W
Number of luminaires	49	25
Maintenance illuminance	500 lx	500 lx
Uniformity	0.72	0.66
Installed load individual lum.	57.5 W	25.0 W
Total installed load	2817.5 W	625.0 W
Specific maintenance factor*	0.58	0.73
Annual energy costs**	1289 €	286 €
Costs of relamping per year***	228 €	0 €

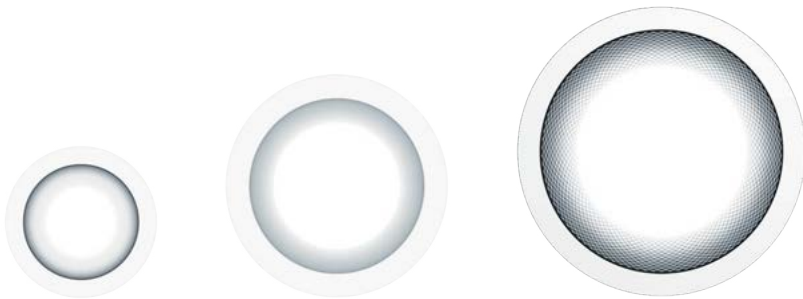
* 0.58: cleaning of luminaires every 3 years, relamping: every 3 years, room maintenance after 6 years
0.73: cleaning of luminaires every 2 years, relamping not required (LED), room maintenance after 6 years

** Energy costs: € 0.12 per kWh at 7% increase, operating hours: 11 hours, 250 days a year (acc. to DIN 18599-Part 10)

*** Costs per relamping: € 7 incl. lamp

PANOS INFINITY 100

Maximum efficiency, minimum size



PANOS INFINITY
Models: HG 100, HM 150 and HF 200 with frame

Thanks to PANOS INFINITY's consistently maintained benefits, the small downlights are in no way inferior to the larger counterparts. With a diameter of only 100 mm, the PANOS INFINITY 100 range achieves a luminous flux of 960 lumens and a system output of only 12 W.

Their luminaire efficiency of up to 80 lumens per watt, superior lighting quality and excellent colour rendering make these recessed luminaires ideal for any general lighting application – quite spectacularly without any frame, or with an exposed luminaire cover ring. In terms of colour temperature, there is a choice of 3000 K or 4000 K. A variety of 'Low' reflectors are available: with a highly specular sputtered finish (glare control: UGR < 19), in matt silver, or painted in white. This variety of surface finishes is also available for the 'High' reflectors, which feature a cut-off angle of 45° making the light source invisible.

PANOS INFINITY 100

Diameter
ø 100 mm

Recessed depth
100 mm | 130 mm

Colour temperatures
3000 K | 4000 K

Lumen package
960 lm

Reflector surface finishes
Smooth | Matt | Painted

Mounting frame
With frame | Frameless

Attachments and accessories
See summary of range on page 26



PANOS INFINITY
Model: HG 100 with frame | 1:1 scale

PANOS INFINITY wallwasher

Impressive lighting quality with unique energy efficiency



PANOS INFINITY wallwasher
Model: HG 150 with frame | 1:1 scale

Lighting quality meets efficiency

PANOS INFINITY wallwashers provide very good and uniform illumination, directing the light precisely to where it is actually required dependant on the application. A low system output is sufficient to obtain high vertical illuminance levels. Optical systems with specially designed asymmetrical reflectors achieve excellent luminaire efficiency levels of > 80 lumens per watt. Thus, the luminaire and the lighting concept help to save energy.

Stable White models with luminous flux levels of 800 lumens, more than 1000 lumens or more than 1800 lumens are an economically efficient alternative to wallwashers with conventional compact fluorescent lamps and HIT lamps. Using PANOS INFINITY Tunable White wallwashers, completely new lighting situations with variable colour temperatures can be implemented. The PANOS INFINITY wallwasher 150 cannot fail to impress with its superior lighting quality, which is achieved by an asymmetrical highly specular reflector together with an additional built-in domed MPO lens.

Application

There is more than just one good reason to use PANOS INFINITY wallwashers. They are the perfect solution for a variety of lighting tasks such as:

- **Room atmosphere:** vertical illuminance levels make a room appear larger, creating a brighter and more pleasant atmosphere.
- **Visual comfort:** vertical illuminance levels facilitate looking around in a room, since the human eye requires less adaptation.
- **Sense of security:** vertical illuminance levels facilitate orientation.
- **Balance:** mounted at some distance from the windows or on the opposite side, vertical illuminance levels provide a well-balanced atmosphere to compensate for the high luminance levels of daylight.
- **Saving energy:** general lighting can be focussed to, and create zones in, those areas where visual tasks have to be performed.
- **Directing attention:** vertical illuminance levels put the focus on vertical visual tasks such as those provided by shelves, retail or exhibition areas.

The recommended levels of vertical illuminance depend on the application area in question: levels of approx. 175 lx are suitable for offices, while in museums the level may vary between 50 and 200 lx, and 200 lx are ideal for shops.



PANOS INFINITY wallwasher
Model: HG 150 with frame



PANOS INFINITY wallwasher
Model: HG 200 with frame

PANOS INFINITY wallwashers

Design and installation

Design tips

When designing a lighting solution, the following principles have to be kept in mind:

- In order to illuminate walls uniformly, the distance to the wall should be about one third of the room height or slightly less.
- A shorter distance to the wall also reduces the risk of glare and improves lighting efficiency, but also decreases uniformity.
- To achieve uniform light distribution across the entire surface of the wall, the ratio of minimum and maximum level of illuminance should be at least 1 : 2.5.
- If the spacing between luminaires more or less corresponds to the distance from the wall, horizontal uniformity is achieved.
- In case of high rooms, a reduction of spacing between luminaires is recommended.
- To achieve uniform illumination of a wall by overlapping several light distribution areas, at least three wallwashers are required.



Lemgo Light Forum application picture

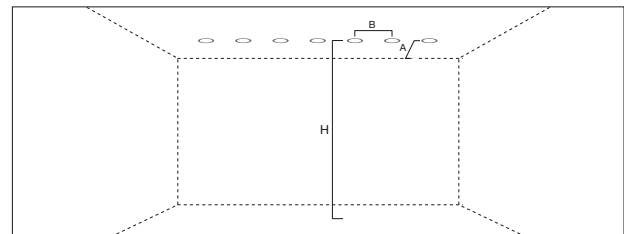
Room height
3.00 m

Model
PANOS INFINITY wallwasher 18 W

Distance from luminaires to wall
0.90 m

Spacing between luminaires
0.90 m

Model	H	A	B	Em	G _r
E150 12/13 W	2.50	0.80	0.80	226	0.51
Stable White:	2.70	0.80	0.80	213	0.47
	3.00	0.80	0.80	196	0.43
	4.00	1.00	1.00	122	0.41
	5.00	1.00	1.00	102	0.35
E200 16 W	2.70	0.60	1.00	279	0.44
Stable White:	2.70	0.80	1.00	262	0.59
	3.00	1.00	0.80	248	0.49
	4.00	1.00	1.00	166	0.41
	5.00	1.25	1.00	128	0.36
E200 23 W	2.70	0.60	1.00	491	0.43
Stable White	2.70	0.80	1.00	464	0.58
	3.00	0.80	1.00	398	0.47
	4.00	1.00	1.00	293	0.39
	5.00	1.25	1.00	227	0.38
E200 22 W	2.70	0.60	1.00	284	0.40
Tunable White	2.70	0.80	1.00	264	0.56
	3.00	1.00	1.00	225	0.40
	4.00	1.00	1.00	185	0.39
	5.00	1.00	1.00	143	0.37



H = mounting height in m
A = distance from luminaire to wall in m
B = spacing between luminaires in m
Em = average level of illuminance in lx
G_r = uniformity of illuminance



PANOS INFINITY wallwasher | model: HG 200 with frame | in plasterboard ceiling

Arrows lead the way

When installing mounting frames or planar rings, the important thing is to align the arrow to the area to be illuminated. Then everything else is quite simple. When inserting the wallwasher, just make sure that the arrow markings on the luminaire and on the mounting frame overlap. Thus, the wallwasher – with frame or frameless – can easily be positioned with high precision. Thanks to the tried and tested twist-and-lock mechanism, installation is extremely easy.



Both mounting ring and luminaire are marked by arrows defining the direction



The planar ring required for the frameless model is also clearly marked with an arrow



Insert luminaire using twist-and-lock mechanism



Twist the luminaire to lock it

PANOS INFINITY surface-mounted Surface-mounted instead of recessed



PANOS INFINITY surface-mounted | Model: E200 HL

Traditional and efficient

Wherever structural conditions require downlights to be surface-mounted, the PANOS INFINITY surface-mounted housing is the perfect solution: in a traditional design, circular or square, with an overall height of only 206 mm and a diameter of 235 mm, or a side length of 227 mm, the white housing made of die-cast aluminium blends discreetly into any architecture, yet with style.

The housings, which are available as accessories, accommodate all 200 mm PANOS INFINITY High WH and 190 mm PANOS INFINITY Q190 High standard luminaires. Installation and connection features of the housing and the luminaire are perfectly matched. The same technical lighting and decorative accessories as the recessed luminaires are available.



PANOS INFINITY surface-mounted | Model: Q227 HG

Installation of E200



Fix upper part of housing



Connect cables



Connect converter using cable kit and click into spring clip



Fix upper part of housing



Connect cables



Connect converter using cable kit and fix by means of fixing bracket



Secure surface-mounted housing via twist-and-lock mechanism



Connect luminaire



Insert luminaire by means of twist-and-lock fastener



Hook in luminaire, then push forward until spring clip snaps in



Connect luminaire



Insert luminaire into housing and fix by exerting firm pressure

Installation of Q227

PANOS INFINITY surface-mounted

Surface-mounted instead of recessed



PANOS INFINITY surface mounted | models: E150 and Q140

Surface-mounted, yet part of the architecture

The flat, square surface-mounted housing adds external volume to the PANOS INFINITY downlight. Yet, thanks to strictly geometrical shapes and a total height of just 122 mm, the luminaire is still an integral part of the architecture. The frameless PANOS INFINITY 'Low' E150 and Q140 downlights can effortlessly be inserted into the white surface-mounted housing. The pre-installed planar ring ensures quick and easy installation of the frameless standard luminaires. The square housing accommodates even emergency lighting versions with NA3 separate battery.



PANOS INFINITY surface mounted | model: Q140 LG

Installation



Fix upper part of housing and connect cable



Hook in lower part of housing



Connect converter using cable kit and insert into lower part of housing



Snap lower part of housing into place and fasten with screws



Connect luminaire



Insert luminaire

PANOS INFINITY

Decorative accessories



PANOS INFINITY | model: HL 200 frameless with decorative cylinder



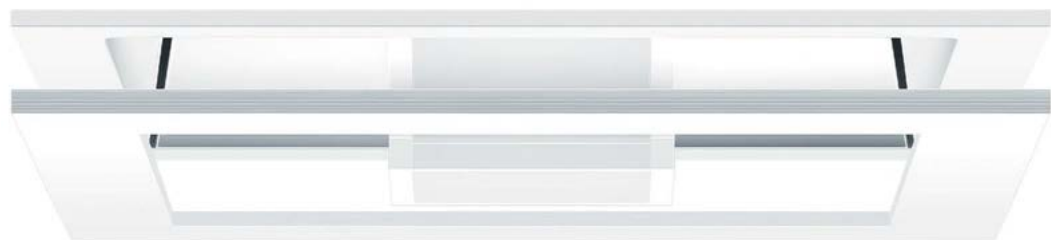
PANOS INFINITY Q | model: Q190 HG frameless with decorative cube

The continuation of a high quality design concept

The downlights' visual appeal is enhanced by decorative rings. Thus, high-quality materials are a perfect supplement to sophisticated interior designs. Two decorative rings are available in brushed aluminium, with a natural or anthracite anodised finish, which are installed with a turn of the wrist using the tried-and-tested twist-and-lock mechanism. With the decorative acrylic glass cylinder and the new decorative panel, PANOS INFINITY is provided with another unique feature in terms of lighting technology. Fitted between the reflector and the LED module, the translucent attachment makes the luminaire appear to float. It is suitable for frameless models as well as for those with a visible ceiling ring. All decorative accessories are fully matched to the overall design of the range and therefore available for both round and square downlights.



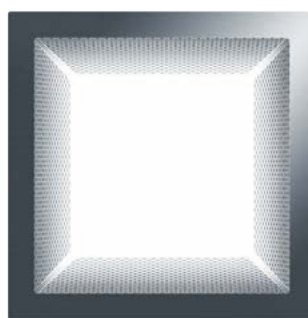
PANOS INFINITY | model: HM 200 with frame and decorative panel



PANOS INFINITY Q | model: Q190 HG with frame and decorative panel



Decorative ring, brushed aluminium
Natural anodised finish



Decorative frame
Anthracite

PANOS INFINITY

Frameless installation



PANOS INFINITY | model: HF 200 frameless | flush-mounted in plasterboard ceiling

Precision at the turn of the wrist

Thanks to a perforated planar ring, it is extremely easy to install the frameless PANOS INFINITY model flush with the ceiling with high precision. Simply insert the planar ring into the plasterboard ceiling from below and apply plaster in a wide area to integrate the luminaire perfectly into the ceiling.



After applying plaster, connect the luminaire to electrical power supply



Insert luminaire



Mounting position is indicated by marking



Twist the luminaire to lock it

For more information on how to install the downlights, please visit www.zumtobel.com/panosinfinity and refer to the installation instructions.



PANOS INFINITY | model: HF 200 frameless | flush-mounted in Armstrong ceiling element

A perfect combination

Armstrong ceiling elements and Zumtobel luminaires are perfectly matched to each other, thus meeting a requirement often posed by architects. Sophisticated architectural solutions can now be installed easily and without major effort. Ceiling elements with ceiling cut-out ready to accommodate PANOS INFINITY are available in a variety of high-quality versions from Armstrong sales partners.



Insert planar ring
from above



Align planar ring



Fasten planar ring



Insert ceiling element and
fasten luminaire using the
twist-and-lock mechanism

PANOS INFINITY Q

Installation of square model



PANOS INFINITY Q | model: Q190 HG frameless | flush-mounted in plasterboard ceiling

All-round high precision

Thanks to a perforated mounting frame (planar ring), it is extremely easy to install the frameless PANOS INFINITY Q model flush with the ceiling with high precision. Simply insert the mounting frame into the plasterboard ceiling from below and apply plaster in a wide area to integrate the luminaire perfectly into the ceiling. As with the models with a visible ceiling ring, the luminaire is simply clicked into place after electrical connection using the easy-click mechanism. Thanks to this fastening system (patent pending), removal of the luminaire is equally easy.



Insert mounting frame and apply plaster flush with the ceiling



Connect luminaire to electrical power supply



Insert luminaire



The luminaire is properly fixed as soon as the easy-click mechanism snaps in



PANOS INFINITY Q | model: Q190 HM with frame | in plasterboard ceiling



Insert mounting frame into ceiling



Secure mounting springs



Connect luminaire to electrical power supply



Insert luminaire



The luminaire is properly fixed as soon as the easy-click mechanism snaps in



Removal of luminaire: remove reflector frame



Press luminaire upwards to unlock



Remove luminaire

PANOS INFINITY

Examples of application versatility



Alcina Cosmetic training centre, Bielefeld / DE



HDI Gerling AG, Hanover / DE



Kreidl, Dornbirn / AT

The Body Shop, Emmen / CH



Museo del Novecento, Milan / IT



Technoalpin | Bolzano / IT



VHV Hannoversche Lebensversicherung AG, Hanover / DE



Hotel Ramada, Milan / IT



Mirage Shopping Center, Zilina / SK

PANOS INFINITY+

[...] Shared properties PANOS INFINITY+ LOW

- Ideal where ceiling space is limited: recessed depth just 100 mm
- “Stable White” LED luminaires; stabilised colour temperature: 3000 K (LED930: warm white) or 4000 K (LED940: neutral white)
- EN12464 compliant for office applications with UGR < 19 when fitted with anti-glare ring (see attachments)
- High-quality reflector unit fixed to modular LED lighting chamber by twist-and-lock mechanism
- High-efficiency LED lighting chamber integrated in the optimised, passive thermal management system made of extruded aluminium section
- Reflector/trim unit made of high-quality, UV-resistant polycarbonate
- White trim
- Complete model comprises luminaire and ballast unit
- With controllable ballast (Dali), separate unit
- Service life: 50 000 h at 70 % luminous flux
- Luminaire efficiency >100 lm/W
- Luminaire luminous flux > 2400 lm
- Colour rendering index: Ra > 90
- Installation: die-cast aluminium mounting ring with non-slip spring clips for tool-free recessed-mounting in ceilings of thickness 1–25 mm
- Simple twist-and-lock mechanism for quick tool-free fitting of luminaire unit
- Luminaire pre-wired using halogen-free leads
- 5-pole plug-in connecting terminal; cable loop-in/loop-out facility
- Can be used with 220 V DC group battery
- Models incorporating 3-hour emergency lighting are available on request
- Flush-fitting ceiling models available on request
- **Please go to the main product name in the ONLINE catalog to find the latest power consumption figures based on continuous improvements in efficiency**

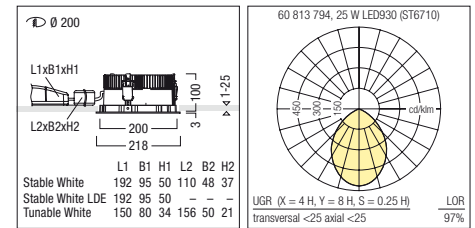
PANOS INFINITY+ E200 LF LED with faceted optic



- [...]
- Faceted reflector; highly-reflective aluminised finish for zero iridescence

PANOS INFINITY+ E200 LF LED

	RD/RØ	kg	Order no.
25 W LED930	100/200	1,4	60 813 794
25 W LED940	100/200	1,4	60 813 796



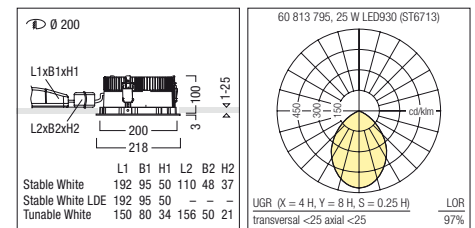
PANOS INFINITY+ E200 LG LED with smooth optic



- [...]
- Smooth reflector; highly reflective aluminised finish for zero iridescence

PANOS INFINITY+ E200 LG LED

	RD/RØ	kg	Order no.
25 W LED930	100/200	1,4	60 813 795
25 W LED940	100/200	1,4	60 813 797



[...] Shared properties PANOS INFINITY+ HIGH

- “Stable White” LED luminaires; stabilised colour temperature: 3000 K (LED930: warm white) or 4000 K (LED940: neutral white)
- EN12464 compliant for office applications with UGR < 19
- High-quality reflector unit fixed to modular LED lighting chamber by twist-and-lock mechanism
- High-efficiency LED lighting chamber integrated in the optimised, passive thermal management system made of extruded aluminium section
- Reflector/trim unit made of high-quality, UV-resistant polycarbonate
- White trim
- Complete model comprises luminaire and ballast unit
- With controllable ballast (Dali), separate unit
- Service life: 50 000 h at 70 % luminous flux
- Luminaire efficiency >100 lm/W
- Luminaire luminous flux > 2400 lm
- Colour rendering index: Ra > 90
- Installation: die-cast aluminium mounting ring with non-slip spring clips for tool-free recessed-mounting in ceilings of thickness 1–25 mm
- Simple twist-and-lock mechanism for quick tool-free fitting of luminaire unit
- Luminaire pre-wired using halogen-free leads
- 5-pole plug-in connecting terminal; cable loop-in/loop-out facility
- Minimum luminaire recess depth 140 mm
- Can be used with 220 V DC group battery
- Models incorporating 3-hour emergency lighting are available on request
- Flush-fitting ceiling models available on request
- **Please go to the main product name in the ONLINE catalog to find the latest power consumption figures based on continuous improvements in efficiency**

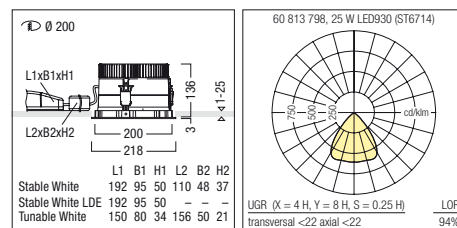
PANOS INFINITY+ E200 HF LED with faceted optic



- [...]
- Faceted reflector; highly-reflective aluminised finish for zero iridescence

	RD/RØ	kg	Order no.
PANOS INFINITY+ E200 HF LED			<i>dimnable Dali only</i>
25 W LED930	140/200	1,5	60 813 798
25 W LED940	140/200	1,5	60 813 800

See Attachments and Accessories for surface-mount housing for PANOS INFINITY E200 H.



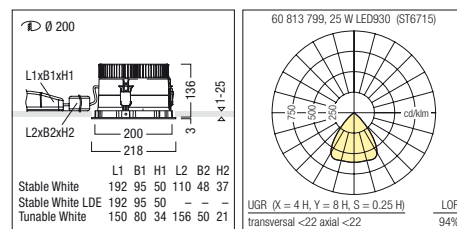
PANOS INFINITY+ E200 HG LED with smooth optic



- [...]
- Smooth reflector; highly reflective aluminised finish for zero iridescence

	RD/RØ	kg	Order no.
PANOS INFINITY+ E200 HG LED			<i>dimnable Dali only</i>
25 W LED930	140/200	1,5	60 813 799
25 W LED940	140/200	1,5	60 813 801

See Attachments and Accessories for surface-mount housing for PANOS INFINITY E200 H.



PANOS INFINITY L

[...] Shared properties PANOS INFINITY LOW

- High-quality reflector unit fixed to modular LED lighting chamber by twist-and-lock mechanism
- Reflector/trim unit made of high-quality, UV-resistant polycarbonate
- White trim
- Simple twist-and-lock mechanism for quick tool-free fitting of luminaire unit
- Luminaire pre-wired using halogen-free leads
- Flush-fitting ceiling model: please order seating ring (planar ring) separately (see accessories)
- Can be used with 220 V DC group battery
- Models incorporating 3-hour emergency lighting are available on request
- Please go to the main product name in the ONLINE catalog to find the latest power consumption figures based on continuous improvements in efficiency

PANOS INFINITY E150/E200 LF LED with faceted optic

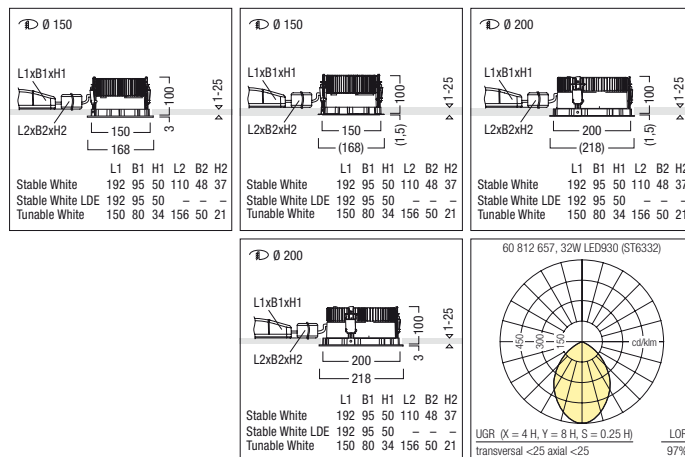


- [...]
- Ideal where ceiling space is limited: recessed depth just 100 mm
- “Stable White” LED luminaires, stabilised colour temperature: 3000 K (LED930: warm white) or 4000 K (LED940: neutral white) and “Tunable White”, dynamic colour-temperature variation: 2700–6500 K (LED927–65)
- Facetted reflector; highly-reflective aluminised finish for zero iridescence
- EN12464 compliant for office applications with UGR < 19 when fitted with anti-glare ring (see attachments)
- High-efficiency LED lighting chamber integrated in the optimised, passive thermal management system made of extruded aluminium section
- Complete model comprises luminaire and ballast unit
- With controllable ballast (Dali), separate unit
- Service life: 50 000 h at 70 % luminous flux
- Luminaire efficiency: up to 84 lm/W (depends on lamp type)
- “Stable White” luminaire luminous flux: > 1000 lm for 16 W, > 1800 lm for 23 W, > 2400 lm for 32 W
- “Tunable White” luminaire luminous flux: > 900 lm for 22 W and > 1400 lm for 32 W (2700 K)
- “Stable White” colour rendering index: Ra > 90
- “Tunable White” colour rendering index: Ra 90
- Installation: die-cast aluminium mounting ring with non-slip spring clips for tool-free recessed-mounting in ceilings of thickness 1–25 mm
- 5-pole terminal with plug-in connection; loop-in/loop-out only possible for “Stable White”
- “Tunable White” model can only be controlled via EMOTION, CIRCLE TUNE or LITENET (DT8 2010)

RD/RØ kg Order no.

	RD/RØ	kg	Order no.
PANOS INFINITY E150 LF LED, white trim			
16 W LED930 dimmable Dali only	100/150	1,2	60 812 915
16 W LED940 dimmable Dali only	100/150	1,2	60 812 919
22 W LED927-65 dimmable Dali	100/150	1,1	60 813 828
23 W LED930 dimmable Dali only	100/150	1,2	60 812 617
23 W LED940 dimmable Dali only	100/150	1,2	60 812 621
PANOS INFINITY E150 LF LED, flush in ceiling			
16 W LED930 dimmable Dali only	100/150	1,2	60 812 931
16 W LED940 dimmable Dali only	100/150	1,2	60 812 935
22 W LED927-65 dimmable Dali	100/150	1,1	60 813 836
23 W LED930 dimmable Dali only	100/150	1,2	60 812 681
23 W LED940 dimmable Dali only	100/150	1,2	60 812 685
PANOS INFINITY E200 LF LED, white trim			
23 W LED930 dimmable Dali only	100/200	1,4	60 812 641
23 W LED940 dimmable Dali only	100/200	1,4	60 812 645
32 W LED927-65 dimmable Dali	100/200	1,3	60 813 844
32 W LED930 dimmable Dali only	100/200	1,4	60 812 657
32 W LED940 dimmable Dali only	100/200	1,4	60 812 661
PANOS INFINITY E200 LF LED, flush in ceiling			
23 W LED930 dimmable Dali only	100/200	1,4	60 812 705
23 W LED940 dimmable Dali only	100/200	1,4	60 812 709
32 W LED927-65 dimmable Dali	100/200	1,3	60 813 852
32 W LED930 dimmable Dali only	100/200	1,4	60 812 721
32 W LED940 dimmable Dali only	100/200	1,4	60 812 725

See Attachments and Accessories for surface-mount housing for PANOS INFINITY E150 L

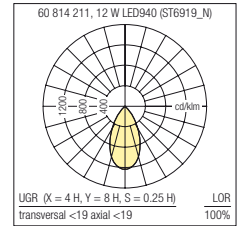
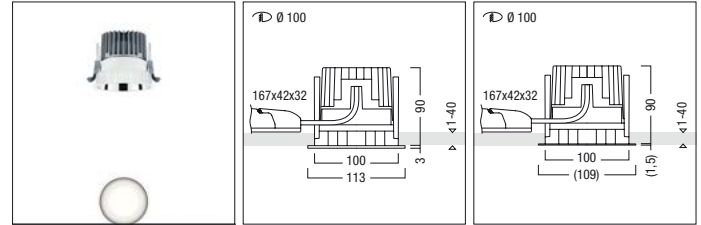


PANOS INFINITY E100 LG LED with smooth optic



- [...]
 - For use where ceiling space is limited: recess depth just 100 mm or 115 mm (subject to restrictions: see installation instructions for details)
 - “Stable White” LED luminaires; stabilised colour temperature: 3000 K (LED930: warm white) or 4000 K (LED940: neutral white)
 - Smooth reflector; highly reflective aluminised finish for zero iridescence
 - EN12464 compliant for office applications with UGR < 19
 - 30° shielding angle
 - High-efficiency LED lighting chamber is integrated in optimised, passive thermal management system; made of diecast aluminium
 - Pre-assembled model comprising luminaire and ballast unit (Dali)
 - 50 000 h service life at 80 % luminous flux
 - Luminaire efficiency: up to 80 lm/W (depending on luminaire type)
 - Luminaire luminous flux up to 960 lm (dependent on luminaire type)
 - Colour rendering index: Ra > 90
 - Installed using polycarbonate mounting ring with anti-slip spring clips for tool-free fitting in ceiling recess for ceilings of thickness 1–40 mm
 - Electrical connection: 4-pole terminal

	RD/RØ	kg	Order no.
PANOS INFINITY E100 LG LED, white trim			
12 W LED940	100/100	0,4	60 814 211
13 W LED930	100/100	0,4	60 814 208
PANOS INFINITY E100 LG LED, flush-fitting in ceiling			
12 W LED940	115/100	0,4	60 814 219
13 W LED930	115/100	0,4	60 814 216



PANOS INFINITY L

PANOS INFINITY E150/E200 LG LED with smooth optic



- [...]
- Ideal where ceiling space is limited: recessed depth just 100 mm
- “Stable White” LED luminaires, stabilised colour temperature: 3000 K (LED930: warm white) or 4000 K (LED940: neutral white) and “Tunable White”, dynamic colour-temperature variation: 2700–6500 K (LED927–65)
- Smooth reflector; highly reflective aluminised finish for zero iridescence
- EN12464 compliant for office applications with UGR < 19 when fitted with anti-glare ring (see attachments)
- High-efficiency LED lighting chamber integrated in the optimised, passive thermal management system made of extruded aluminium section
- Complete model comprises luminaire and ballast unit
- With controllable ballast (Dali), separate unit
- Service life: 50000 h at 70 % luminous flux
- Luminaire efficiency: up to 84 lm/W (depends on lamp type)
- “Stable White” luminaire luminous flux: > 1000 lm for 16 W, > 1800 lm for 23 W, > 2400 lm for 32 W
- “Tunable White” luminaire luminous flux: > 900 lm for 22 W and > 1400 lm for 32 W (2700 K)
- “Stable White” colour rendering index: Ra > 90
- “Tunable White” colour rendering index: Ra 90
- Installation: die-cast aluminium mounting ring with non-slip spring clips for tool-free recessed-mounting in ceilings of thickness 1–25 mm
- 5-pole terminal with plug-in connection; loop-in/loop-out only possible for “Stable White”
- “Tunable White” model can only be controlled via EMOTION, CIRCLE TUNE or LITENET (DT8 2010)

PANOS INFINITY E150 LG LED, white trim

	RD/RØ	kg	Order no.
16 W LED930 dimmable Dali only	100/150	1,2	60 812 916
16 W LED940 dimmable Dali only	100/150	1,2	60 812 920
22 W LED927-65 dimmable Dali	100/150	1,1	60 813 829
23 W LED930 dimmable Dali only	100/150	1,2	60 812 618
23 W LED940 dimmable Dali only	100/150	1,2	60 812 622

PANOS INFINITY E150 LG LED, flush in ceiling

	RD/RØ	kg	Order no.
16 W LED930 dimmable Dali only	100/150	1,2	60 812 932
16 W LED940 dimmable Dali only	100/150	1,2	60 812 936
22 W LED927-65 dimmable Dali	100/150	1,1	60 813 837
23 W LED930 dimmable Dali only	100/150	1,2	60 812 682
23 W LED940 dimmable Dali only	100/150	1,2	60 812 686

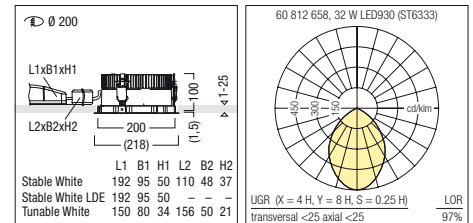
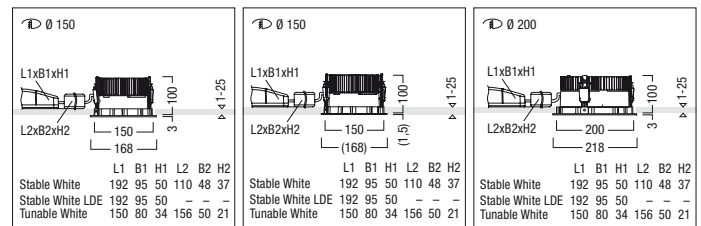
PANOS INFINITY E200 LG LED, white trim

	RD/RØ	kg	Order no.
23 W LED930 dimmable Dali only	100/200	1,4	60 812 642
23 W LED940 dimmable Dali only	100/200	1,4	60 812 646
32 W LED927-65 dimmable Dali	100/200	1,3	60 813 845
32 W LED930 dimmable Dali only	100/200	1,4	60 812 658
32 W LED940 dimmable Dali only	100/200	1,4	60 812 662

PANOS INFINITY E200 LG LED, flush in ceiling

	RD/RØ	kg	Order no.
23 W LED930 dimmable Dali only	100/200	1,4	60 812 706
23 W LED940 dimmable Dali only	100/200	1,4	60 812 710
32 W LED927-65 dimmable Dali	100/200	1,3	60 813 853
32 W LED930 dimmable Dali only	100/200	1,4	60 812 722
32 W LED940 dimmable Dali only	100/200	1,4	60 812 726

See Attachments and Accessories for surface-mount housing for PANOS INFINITY E150 L.

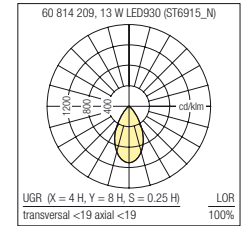
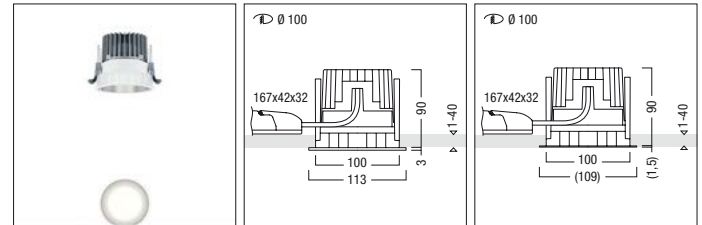


PANOS INFINITY E100 LM LED with matt optic



- [...]
 - For use where ceiling space is limited: recess depth just 100 mm or 115 mm (subject to restrictions: see installation instructions for details)
 - “Stable White” LED luminaires; stabilised colour temperature: 3000 K (LED930: warm white) or 4000 K (LED940: neutral white)
 - Matt reflector with smooth aluminium-look finish
 - 30° shielding angle
 - High-efficiency LED lighting chamber is integrated in optimised, passive thermal management system; made of diecast aluminium
 - Pre-assembled model comprising luminaire and ballast unit (Dali)
 - 50000 h service life at 80 % luminous flux
 - Luminaire efficiency: up to 80 lm/W (depending on luminaire type)
 - Luminaire luminous flux up to 960 lm (dependent on luminaire type)
 - Colour rendering index: Ra > 90
 - Installed using polycarbonate mounting ring with anti-slip spring clips for tool-free fitting in ceiling recess for ceilings of thickness 1–40 mm
 - Electrical connection: 4-pole terminal

	RD/RØ	kg	Order no.
PANOS INFINITY E100 LM LED, white trim			
12 W LED940	100/100	0,4	60 814 212 <i>dimnable Dali</i>
13 W LED930	100/100	0,4	60 814 209 <i>dimnable Dali</i>
PANOS INFINITY E100 LM LED, flush-fitting in ceiling			
12 W LED940	115/100	0,4	60 814 220 <i>dimnable Dali</i>
13 W LED930	115/100	0,4	60 814 217 <i>dimnable Dali</i>



PANOS INFINITY L

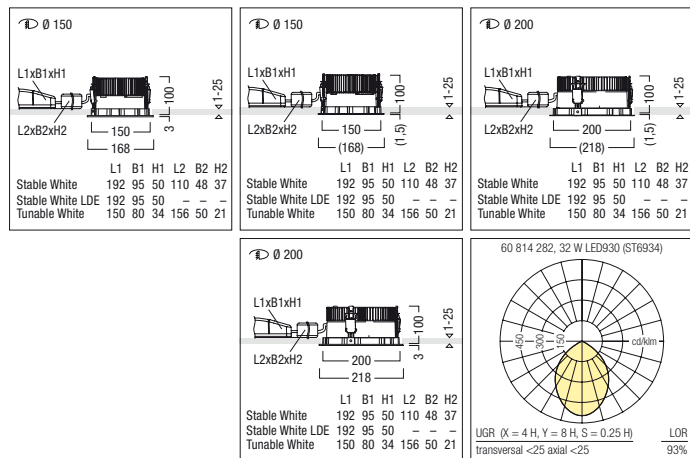
PANOS INFINITY E150/E200 LM LED with matt optic



- [...]
- Ideal where ceiling space is limited: recessed depth just 100 mm
- “Stable White” LED luminaires, stabilised colour temperature: 3000 K (LED930: warm white) or 4000 K (LED940: neutral white) and “Tunable White”, dynamic colour-temperature variation: 2700–6500 K (LED927–65)
- Matt reflector with smooth aluminium-look finish
- High-efficiency LED lighting chamber integrated in the optimised, passive thermal management system made of extruded aluminium section
- Complete model comprises luminaire and ballast unit
- With controllable ballast (Dali), separate unit
- Service life: 50 000 h at 70 % luminous flux
- Luminaire efficiency: up to 84 lm/W (depends on lamp type)
- “Stable White” luminaire luminous flux: > 1000 lm for 16 W, > 1800 lm for 23 W, > 2400 lm for 32 W
- “Tunable White” luminaire luminous flux: > 900 lm for 22 W and > 1400 lm for 32 W (2700 K)
- “Stable White” colour rendering index: Ra > 90
- “Tunable White” colour rendering index: Ra 90
- Installation: die-cast aluminium mounting ring with non-slip spring clips for tool-free recessed-mounting in ceilings of thickness 1–25 mm
- 5-pole terminal with plug-in connection; loop-in/loop-out only possible for “Stable White”
- “Tunable White” model can only be controlled via EMOTION, CIRCLE TUNE or LITENET (DT8 2010)

	RD/RØ	kg	Order no.
PANOS INFINITY E150 LM LED, white trim <i>dimnable Dali</i>			
16 W LED930	100/150	1,1	60 814 258
16 W LED940	100/150	1,1	60 814 259
22 W LED927-65	100/150	1,1	60 813 830
23 W LED930	100/150	1,1	60 814 266
23 W LED940	100/150	1,1	60 814 267
PANOS INFINITY E150 LM LED, flush in ceiling <i>dimnable Dali</i>			
16 W LED930	100/150	0,9	60 814 262
16 W LED940	100/150	0,9	60 814 263
22 W LED927-65	100/150	1,1	60 813 838
23 W LED930	100/150	0,9	60 814 270
23 W LED940	100/150	0,9	60 814 271
PANOS INFINITY E200 LM LED, white trim <i>dimnable Dali</i>			
23 W LED930	100/200	1,3	60 814 274
23 W LED940	100/200	1,3	60 814 275
32 W LED927-65	100/200	1,3	60 813 846
32 W LED930	100/200	1,3	60 814 282
32 W LED940	100/200	1,3	60 814 283
PANOS INFINITY E200 LM LED, flush in ceiling <i>dimnable Dali</i>			
23 W LED930	100/200	1,1	60 814 278
23 W LED940	100/200	1,1	60 814 279
32 W LED927-65	100/200	1,3	60 813 854
32 W LED930	100/200	1,1	60 814 286
32 W LED940	100/200	1,1	60 814 287

See Attachments and Accessories for surface-mount housing for PANOS INFINITY E150 L.

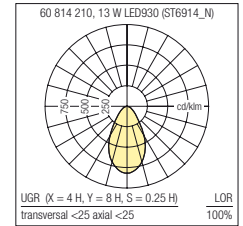
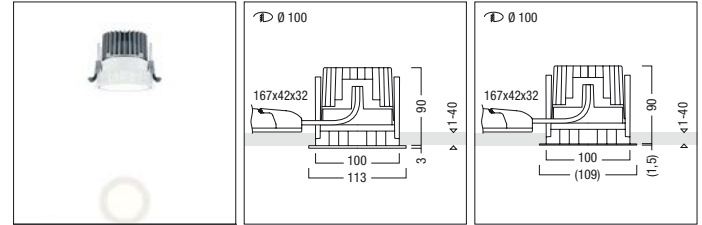


PANOS INFINITY E100 LL LED with painted optic



- [...]
 - For use where ceiling space is limited: recess depth just 100 mm or 115 mm (subject to restrictions: see installation instructions for details)
 - “Stable White” LED luminaires; stabilised colour temperature: 3000 K (LED930: warm white) or 4000 K (LED940: neutral white)
 - White reflector, smooth
 - 30° shielding angle
 - High-efficiency LED lighting chamber is integrated in optimised, passive thermal management system; made of diecast aluminium
 - Pre-assembled model comprising luminaire and ballast unit (Dali)
 - 50000 h service life at 80 % luminous flux
 - Luminaire efficiency: up to 80 lm/W (depending on luminaire type)
 - Luminaire luminous flux up to 960 lm (dependent on luminaire type)
 - Colour rendering index: Ra > 90
 - Installed using polycarbonate mounting ring with anti-slip spring clips for tool-free fitting in ceiling recess for ceilings of thickness 1–40 mm
 - Electrical connection: 4-pole terminal

	RD/RØ	kg	Order no.
PANOS INFINITY E100 LL LED, white trim			
12 W LED940	100/100	0,4	60 814 213 <i>dimnable Dali</i>
13 W LED930	100/100	0,4	60 814 210
PANOS INFINITY E100 LL LED, flush-fitting in ceiling			
12 W LED940	115/100	0,4	60 814 221 <i>dimnable Dali</i>
13 W LED930	115/100	0,4	60 814 218



PANOS INFINITY L

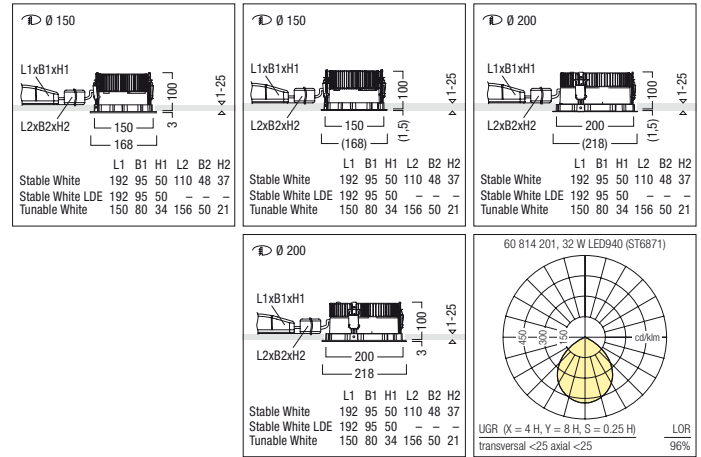
PANOS INFINITY E150/E200 LL LED with painted optic



- [...]
 - Ideal where ceiling space is limited: recessed depth just 100 mm
 - “Stable White” LED luminaires, stabilised colour temperature: 3000 K (LED930: warm white) or 4000 K (LED940: neutral white) and “Tunable White”, dynamic colour-temperature variation: 2700–6500 K (LED927–65)
 - White reflector, smooth
 - High-efficiency LED lighting chamber integrated in the optimised, passive thermal management system made of extruded aluminium section
 - Complete model comprises luminaire and ballast unit
 - With controllable ballast (Dali), separate unit
 - Service life: 50 000 h at 70 % luminous flux
 - Luminaire efficiency: up to 84 lm/W (depends on lamp type)
 - “Stable White” luminaire luminous flux: > 1000 lm for 16 W, > 1800 lm for 23 W, > 2400 lm for 32 W
 - “Tunable White” luminaire luminous flux: > 900 lm for 22 W and > 1400 lm for 32 W (2700 K)
 - “Stable White” colour rendering index: Ra > 90
 - “Tunable White” colour rendering index: Ra 90
 - Installation: die-cast aluminium mounting ring with non-slip spring clips for tool-free recessed-mounting in ceilings of thickness 1–25 mm
 - 5-pole terminal with plug-in connection; loop-in/loop-out only possible for “Stable White”
 - “Tunable White” model can only be controlled via EMOTION, CIRCLE TUNE or LITENET (DT8 2010)

	RD/RØ	kg	Order no.
PANOS INFINITY E150 LL LED, white trim <i>dimmmable Dali</i>			
16 W LED930	100/150	1,1	60 814 176
16 W LED940	100/150	1,1	60 814 177
22 W LED927-65	100/150	1,1	60 813 831
23 W LED930	100/150	1,1	60 814 184
23 W LED940	100/150	1,1	60 814 185
PANOS INFINITY E150 LL LED, flush in ceiling <i>dimmmable Dali</i>			
16 W LED930	100/150	0,9	60 814 180
16 W LED940	100/150	0,9	60 814 181
22 W LED927-65	100/200	1,1	60 813 839
23 W LED930	100/150	0,9	60 814 188
23 W LED940	100/150	0,9	60 814 189
PANOS INFINITY E200 LL LED, white trim <i>dimmmable Dali</i>			
23 W LED930	100/200	1,3	60 814 192
23 W LED940	100/200	1,3	60 814 193
32 W LED927-65	100/200	1,3	60 813 847
32 W LED930	100/200	1,3	60 814 200
32 W LED940	100/200	1,3	60 814 201
PANOS INFINITY E200 LL LED, flush in ceiling <i>dimmmable Dali</i>			
23 W LED930	100/200	1,1	60 814 196
23 W LED940	100/200	1,1	60 814 197
32 W LED927-65	100/200	1,3	60 813 855
32 W LED930	100/200	1,1	60 814 204
32 W LED940	100/200	1,1	60 814 205

See Attachments and Accessories for surface-mount housing for PANOS INFINITY E150 L.



[...] Shared properties PANOS INFINITY HIGH

- High-quality reflector unit fixed to modular LED lighting chamber by twist-and-lock mechanism
- Reflector/trim unit made of high-quality, UV-resistant polycarbonate
- White trim
- Simple twist-and-lock mechanism for quick tool-free fitting of luminaire unit
- Luminaire pre-wired using halogen-free leads
- Flush-fitting ceiling model: please order seating ring (planar ring) separately (see accessories)
- Can be used with 220 V DC group battery
- Models incorporating 3-hour emergency lighting are available on request
- Please go to the main product name in the ONLINE catalog to find the latest power consumption figures based on continuous improvements in efficiency

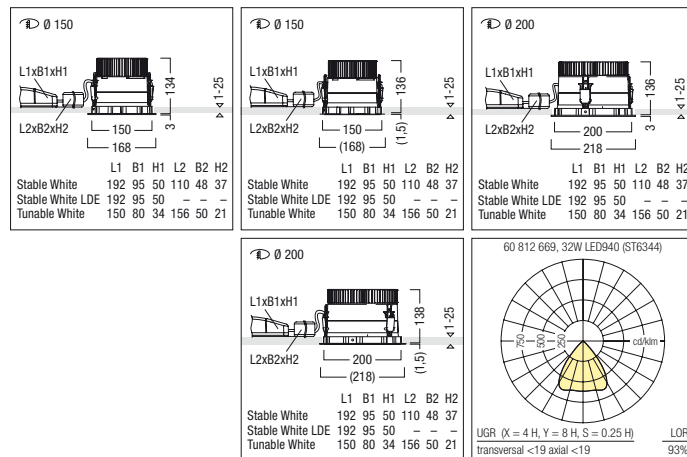
PANOS INFINITY E150/E200 HF LED with faceted optic



- [...]
- “Stable White” LED luminaires, stabilised colour temperature: 3000 K (LED930: warm white) or 4000 K (LED940: neutral white) and “Tunable White”, dynamic colour-temperature variation: 2700–6500 K (LED927–65)
- Facetted reflector; highly-reflective aluminised finish for zero iridescence
- EN12464 compliant for office applications with UGR < 19
- High-efficiency LED lighting chamber integrated in the optimised, passive thermal management system made of extruded aluminium section
- Complete model comprises luminaire and ballast unit
- With controllable ballast (Dali), separate unit
- Service life: 50000 h at 70 % luminous flux
- Luminaire efficiency: up to 81 lm/W (depends on luminaire type)
- “Stable White” luminaire luminous flux: > 1000 lm for 16 W, > 1800 lm for 23 W, > 2400 lm for 32 W
- “Tunable White” luminaire luminous flux: > 900 lm for 22 W and > 1400 lm for 32 W (2700 K)
- “Stable White” colour rendering index: Ra > 90
- “Tunable White” colour rendering index: Ra 90
- Installation: die-cast aluminium mounting ring with non-slip spring clips for tool-free recessed-mounting in ceilings of thickness 1–25 mm
- 5-pole terminal with plug-in connection; loop-in/loop-out only possible for “Stable White”
- Minimum luminaire recess depth 140 mm
- “Tunable White” model can only be controlled via EMOTION, CIRCLE TUNE or LITENET (DT8 2010)

	RD/RØ	kg	Order no.
PANOS INFINITY E150 HF LED, white trim			
16 W LED930 dimmable Dali only	140/150	1,3	60 812 923
16 W LED940 dimmable Dali only	140/150	1,3	60 812 927
22 W LED927-65 dimmable Dali	140/150	1,2	60 813 832
23 W LED930 dimmable Dali only	140/150	1,3	60 812 625
23 W LED940 dimmable Dali only	140/150	1,3	60 812 629
PANOS INFINITY E150 HF LED, flush in ceiling			
16 W LED930 dimmable Dali only	140/150	1,0	60 812 939
16 W LED940 dimmable Dali only	140/150	1,0	60 812 943
22 W LED927-65 dimmable Dali	140/150	1,2	60 813 840
23 W LED930 dimmable Dali only	140/150	1,0	60 812 689
23 W LED940 dimmable Dali only	140/150	1,0	60 812 693
PANOS INFINITY E200 HF LED, white trim			
23 W LED930 dimmable Dali only	140/200	1,3	60 812 649
23 W LED940 dimmable Dali only	140/200	1,3	60 812 653
32 W LED927-65 dimmable Dali	140/200	1,4	60 813 848
32 W LED930 dimmable Dali only	140/200	1,3	60 812 665
32 W LED940 dimmable Dali only	140/200	1,3	60 812 669
PANOS INFINITY E200 HF LED, flush in ceiling			
23 W LED930 dimmable Dali only	140/200	1,1	60 812 713
23 W LED940 dimmable Dali only	140/200	1,1	60 812 717
32 W LED927-65 dimmable Dali	140/200	1,4	60 813 856
32 W LED930 dimmable Dali only	140/200	1,1	60 812 729
32 W LED940 dimmable Dali only	140/200	1,1	60 812 733

See Attachments and Accessories for surface-mount housing for PANOS INFINITY E200 H.



PANOS INFINITY H

PANOS INFINITY E100 HG LED with smooth optic



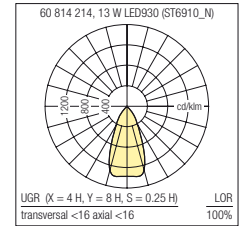
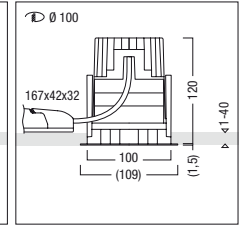
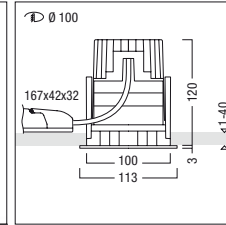
- [...]
 - “Stable White” LED luminaires; stabilised colour temperature: 3000 K (LED930: warm white) or 4000 K (LED940: neutral white)
 - Smooth reflector; highly reflective aluminised finish for zero iridescence
 - EN12464 compliant for office applications with UGR < 19
 - 45° shielding angle
 - High-efficiency LED lighting chamber is integrated in optimised, passive thermal management system; made of diecast aluminium
 - Pre-assembled model comprising luminaire and ballast unit (Dali)
 - 50 000 h service life at 80 % luminous flux
 - Luminaire efficiency: up to 80 lm/W (depending on luminaire type)
 - Luminaire luminous flux up to 960 lm (dependent on luminaire type)
 - Colour rendering index: Ra > 90
 - Installed using polycarbonate mounting ring with anti-slip spring clips for tool-free fitting in ceiling recess for ceilings of thickness 1–40 mm
 - Electrical connection: 4-pole terminal
 - Minimum luminaire recess depth 130 mm

PANOS INFINITY E100 HG LED, white trim

Model	RD/RØ	kg	Order no.
12 W LED940	130/100	0,5	60 814 215
13 W LED930	130/100	0,5	60 814 214

PANOS INFINITY E100 HG LED, flush-fitting in ceiling

Model	RD/RØ	kg	Order no.
12 W LED940	130/100	0,4	60 814 223
13 W LED930	130/100	0,4	60 814 222



PANOS INFINITY E150/E200 HG LED with smooth optic



- [...]
- “Stable White” LED luminaires, stabilised colour temperature: 3000 K (LED930: warm white) or 4000 K (LED940: neutral white) and “Tunable White”, dynamic colour-temperature variation: 2700–6500 K (LED927–65)
- Smooth reflector; highly reflective aluminised finish for zero iridescence
- EN12464 compliant for office applications with UGR < 19
- High-efficiency LED lighting chamber integrated in the optimised, passive thermal management system made of extruded aluminium section
- Complete model comprises luminaire and ballast unit
- With controllable ballast (Dali), separate unit
- Service life: 50 000 h at 70 % luminous flux
- Luminaire efficiency: up to 81 lm/W (depends on luminaire type)
- “Stable White” luminaire luminous flux: > 1000 lm for 16 W, > 1800 lm for 23 W, > 2400 lm for 32 W
- “Tunable White” luminaire luminous flux: > 900 lm for 22 W and > 1400 lm for 32 W (2700 K)
- “Stable White” colour rendering index: Ra > 90
- “Tunable White” colour rendering index: Ra 90
- Installation: die-cast aluminium mounting ring with non-slip spring clips for tool-free recessed-mounting in ceilings of thickness 1–25 mm
- 5-pole terminal with plug-in connection; loop-in/loop-out only possible for “Stable White”
- Minimum luminaire recess depth 140 mm
- “Tunable White” model can only be controlled via EMOTION, CIRCLE TUNE or LITENET (DT8 2010)

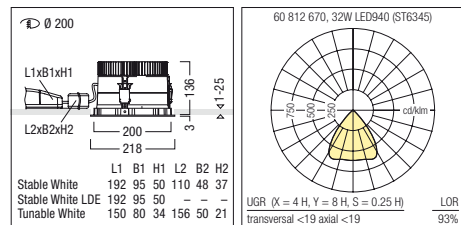
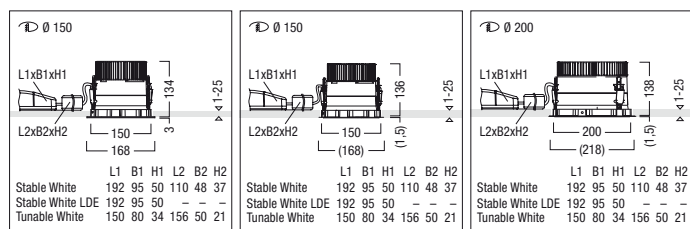
	RD/RØ	kg	Order no.
PANOS INFINITY E150 HG LED, white trim			
16 W LED930 dimmable Dali only	140/150	1,3	60 812 924
16 W LED940 dimmable Dali only	140/150	1,3	60 812 928
22 W LED927-65 dimmable Dali	140/150	1,2	60 813 833
23 W LED930 dimmable Dali only	140/150	1,3	60 812 626
23 W LED940 dimmable Dali only	140/150	1,3	60 812 630

PANOS INFINITY E150 HG LED, flush in ceiling			
16 W LED930 dimmable Dali only	140/150	1,0	60 812 940
16 W LED940 dimmable Dali only	140/150	1,0	60 812 944
22 W LED927-65 dimmable Dali	140/150	1,2	60 813 841
23 W LED930 dimmable Dali only	140/150	1,0	60 812 690
23 W LED940 dimmable Dali only	140/150	1,0	60 812 694

PANOS INFINITY E200 HG LED, white trim			
23 W LED930 dimmable Dali only	140/200	1,3	60 812 650
23 W LED940 dimmable Dali only	140/200	1,3	60 812 654
32 W LED927-65 dimmable Dali	140/200	1,4	60 813 849
32 W LED930 dimmable Dali only	140/200	1,3	60 812 666
32 W LED940 dimmable Dali only	140/200	1,3	60 812 670

PANOS INFINITY E200 HG LED, flush in ceiling			
23 W LED930 dimmable Dali only	140/200	1,1	60 812 714
23 W LED940 dimmable Dali only	140/200	1,1	60 812 718
32 W LED927-65 dimmable Dali	140/200	1,4	60 813 857
32 W LED930 dimmable Dali only	140/200	1,1	60 812 730
32 W LED940 dimmable Dali only	140/200	1,1	60 812 734

See Attachments and Accessories for surface-mount housing for PANOS INFINITY E200 H.



PANOS INFINITY H

PANOS INFINITY E100 HM LED with matt optic



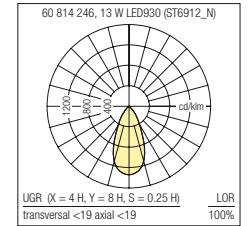
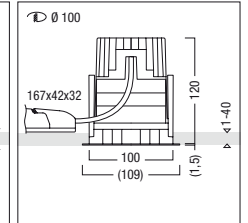
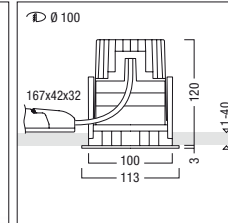
- [...]
 - “Stable White” LED luminaires; stabilised colour temperature: 3000 K (LED930: warm white) or 4000 K (LED940: neutral white)
 - Matt reflector with smooth aluminium-look finish
 - 45° shielding angle
 - High-efficiency LED lighting chamber is integrated in optimised, passive thermal management system; made of diecast aluminium
 - Pre-assembled model comprising luminaire and ballast unit (Dali)
 - 50 000 h service life at 80 % luminous flux
 - Luminaire efficiency: up to 80 lm/W (depending on luminaire type)
 - Luminaire luminous flux up to 960 lm (dependent on luminaire type)
 - Colour rendering index: Ra > 90
 - Installed using polycarbonate mounting ring with anti-slip spring clips for tool-free fitting in ceiling recess for ceilings of thickness 1–40 mm
 - Electrical connection: 4-pole terminal
 - Minimum luminaire recess depth 130 mm

PANOS INFINITY E100 HM LED, white trim

	RD/RØ	kg	Order no.
12 W LED940	130/100	0,5	60 814 247
13 W LED930	130/100	0,5	60 814 246

PANOS INFINITY E100 HM LED, flush-fitting in ceiling

	RD/RØ	kg	Order no.
12 W LED940	130/100	0,4	60 814 249
13 W LED930	130/100	0,4	60 814 248



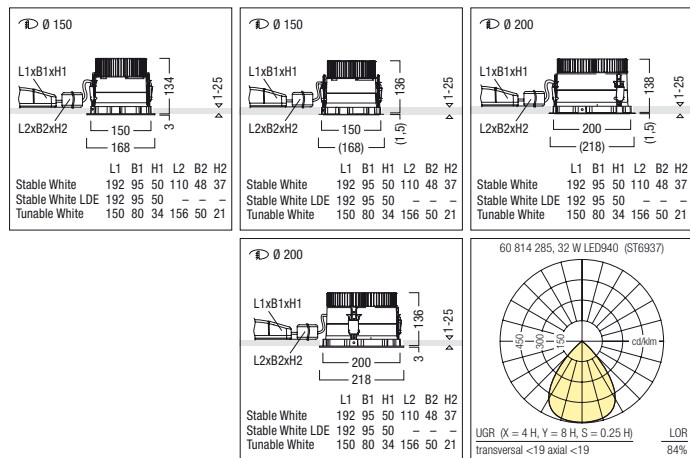
PANOS INFINITY E150/E200 HM LED with matt optic



- |...|
- “Stable White” LED luminaires, stabilised colour temperature: 3000 K (LED930: warm white) or 4000 K (LED940: neutral white) and “Tunable White”, dynamic colour-temperature variation: 2700–6500 K (LED927–65)
- Matt reflector with smooth aluminium-look finish
- High-efficiency LED lighting chamber integrated in the optimised, passive thermal management system made of extruded aluminium section
- Complete model comprises luminaire and ballast unit
- With controllable ballast (Dali), separate unit
- Service life: 50 000 h at 70 % luminous flux
- Luminaire efficiency: up to 81 lm/W (depends on luminaire type)
- “Stable White” luminaire luminous flux: > 1000 lm for 16 W, > 1800 lm for 23 W, > 2400 lm for 32 W
- “Tunable White” luminaire luminous flux: > 900 lm for 22 W and > 1400 lm for 32 W (2700 K)
- “Stable White” colour rendering index: Ra > 90
- “Tunable White” colour rendering index: Ra 90
- Installation: die-cast aluminium mounting ring with non-slip spring clips for tool-free recessed-mounting in ceilings of thickness 1–25 mm
- 5-pole terminal with plug-in connection; loop-in/loop-out only possible for “Stable White”
- Minimum luminaire recess depth 140 mm
- “Tunable White” model can only be controlled via EMOTION, CIRCLE TUNE or LITENET (DT8 2010)

	RD/RØ	kg	Order no.
PANOS INFINITY E150 HM LED, white trim			
<i>dimnable Dali</i>			
16 W LED930	140/150	1,2	60 814 260
16 W LED940	140/150	1,2	60 814 261
22 W LED927-65	140/150	1,2	60 813 834
23 W LED930	140/150	1,2	60 814 268
23 W LED940	140/150	1,2	60 814 269
PANOS INFINITY E150 HM LED, flush in ceiling			
<i>dimnable Dali</i>			
16 W LED930	140/150	1,0	60 814 264
16 W LED940	140/150	1,0	60 814 265
22 W LED927-65	140/150	1,2	60 813 842
23 W LED930	140/150	1,0	60 814 272
23 W LED940	140/150	1,0	60 814 273
PANOS INFINITY E200 HM LED, white trim			
<i>dimnable Dali</i>			
23 W LED930	140/200	1,4	60 814 276
23 W LED940	140/200	1,4	60 814 277
32 W LED927-65	140/200	1,4	60 813 850
32 W LED930	140/200	1,4	60 814 284
32 W LED940	140/200	1,4	60 814 285
PANOS INFINITY E200 HM LED, flush in ceiling			
<i>dimnable Dali</i>			
23 W LED930	140/200	1,1	60 814 280
23 W LED940	140/200	1,1	60 814 281
32 W LED927-65	140/200	1,4	60 813 858
32 W LED930	140/200	1,1	60 814 288
32 W LED940	140/200	1,1	60 814 289

See Attachments and Accessories for surface-mount housing for PANOS INFINITY E200 H.



PANOS INFINITY H

PANOS INFINITY E100 HL LED with painted optic



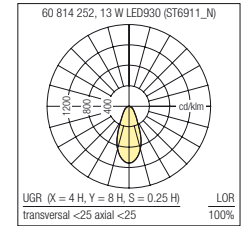
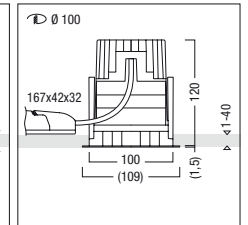
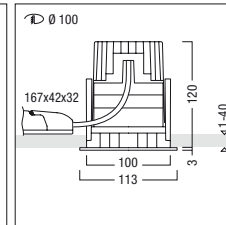
- [...]
 - “Stable White” LED luminaires; stabilised colour temperature: 3000 K (LED930: warm white) or 4000 K (LED940: neutral white)
 - White reflector, smooth
 - 45° shielding angle
 - High-efficiency LED lighting chamber is integrated in optimised, passive thermal management system; made of diecast aluminium
 - Pre-assembled model comprising luminaire and ballast unit (Dali)
 - 50 000 h service life at 80 % luminous flux
 - Luminaire efficiency: up to 80 lm/W (depending on luminaire type)
 - Luminaire luminous flux up to 960 lm (dependent on luminaire type)
 - Colour rendering index: Ra > 90
 - Installed using polycarbonate mounting ring with anti-slip spring clips for tool-free fitting in ceiling recess for ceilings of thickness 1–40 mm
 - Electrical connection: 4-pole terminal
 - Minimum luminaire recess depth 130 mm

PANOS INFINITY E100 HL LED, white trim

	RD/RØ	kg	Order no.
12 W LED940	130/100	0,5	60 814 253
13 W LED930	130/100	0,5	60 814 252

PANOS INFINITY E100 HL LED, flush-fitting in ceiling

	RD/RØ	kg	Order no.
12 W LED940	130/100	0,4	60 814 255
13 W LED930	130/100	0,4	60 814 254



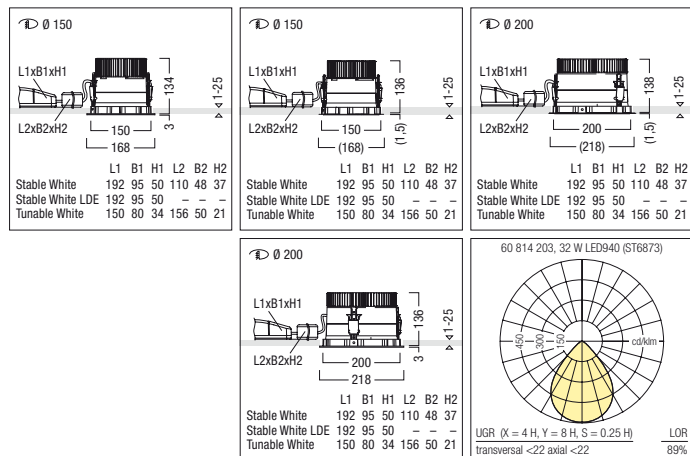
PANOS INFINITY E150/E200 HL LED with painted optic



- [...]
 - “Stable White” LED luminaires, stabilised colour temperature: 3000 K (LED930: warm white) or 4000 K (LED940: neutral white) and “Tunable White”, dynamic colour-temperature variation: 2700–6500 K (LED927–65)
 - White reflector, smooth
 - High-efficiency LED lighting chamber integrated in the optimised, passive thermal management system made of extruded aluminium section
 - Complete model comprises luminaire and ballast unit
 - With controllable ballast (Dali), separate unit
 - Service life: 50 000 h at 70 % luminous flux
 - Luminaire efficiency: up to 81 lm/W (depends on luminaire type)
 - “Stable White” luminaire luminous flux: > 1000 lm for 16 W, > 1800 lm for 23 W, > 2400 lm for 32 W
 - “Tunable White” luminaire luminous flux: > 900 lm for 22 W and > 1400 lm for 32 W (2700 K)
 - “Stable White” colour rendering index: Ra > 90
 - “Tunable White” colour rendering index: Ra 90
 - Installation: die-cast aluminium mounting ring with non-slip spring clips for tool-free recessed-mounting in ceilings of thickness 1–25 mm
 - 5-pole terminal with plug-in connection; loop-in/loop-out only possible for “Stable White”
 - Minimum luminaire recess depth 140 mm
 - “Tunable White” model can only be controlled via EMOTION, CIRCLE TUNE or LITENET (DT8 2010)

	RD/RØ	kg	Order no.
PANOS INFINITY E150 HL LED, white trim <i>dimnable Dali</i>			
16 W LED930	140/150	1,2	60 814 178
16 W LED940	140/150	1,2	60 814 179
22 W LED927-65	140/150	1,2	60 813 835
23 W LED930	140/150	1,2	60 814 186
23 W LED940	140/150	1,2	60 814 187
PANOS INFINITY E150 HL LED, flush in ceiling <i>dimnable Dali</i>			
16 W LED930	140/150	1,0	60 814 182
16 W LED940	140/150	1,0	60 814 183
22 W LED927-65	140/150	1,2	60 813 843
23 W LED930	140/150	1,0	60 814 190
23 W LED940	140/150	1,0	60 814 191
PANOS INFINITY E200 HL LED, white trim <i>dimnable Dali</i>			
23 W LED930	140/200	1,4	60 814 194
23 W LED940	140/200	1,4	60 814 195
32 W LED927-65	140/200	1,4	60 813 851
32 W LED930	140/200	1,4	60 814 202
32 W LED940	140/200	1,4	60 814 203
PANOS INFINITY E200 HL LED, flush in ceiling <i>dimnable Dali</i>			
23 W LED930	140/200	1,1	60 814 198
23 W LED940	140/200	1,1	60 814 199
32 W LED927-65	140/200	1,4	60 813 859
32 W LED930	140/200	1,1	60 814 206
32 W LED940	140/200	1,1	60 814 207

See Attachments and Accessories for surface-mount housing for PANOS INFINITY E200 H.



PANOS INFINITY WW

|...| Shared properties PANOS INFINITY WW

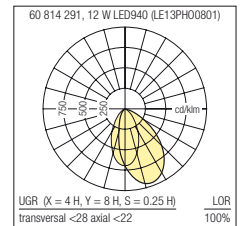
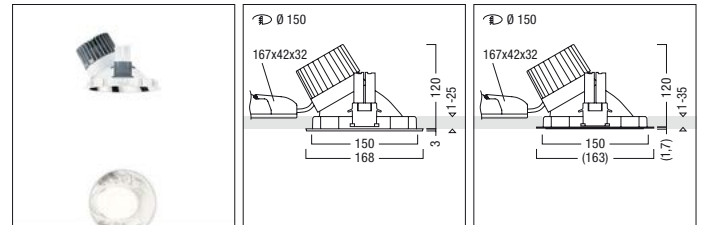
- Asymmetric light distribution with maximum luminaire efficiency and optimised photometric properties
- High-quality reflector unit fixed to modular LED lighting chamber by twist-and-lock mechanism
- Reflector/trim unit made of high-quality, UV-resistant polycarbonate
- White trim
- Luminaire efficiency: up to 83lm/W (depends on luminaire type)
- Installation: die-cast aluminium mounting ring with non-slip spring clips for tool-free recessed-mounting in ceilings of thickness 1–25 mm
- Simple twist-and-lock mechanism for quick tool-free fitting of luminaire unit
- Luminaire pre-wired using halogen-free leads
- Flush-fitting ceiling model: please order seating ring (planar ring) separately (see accessories)
- **Please go to the main product name in the ONLINE catalog to find the latest power consumption figures based on continuous improvements in efficiency**

PANOS INFINITY E150 WW LED wallwasher



- |...|
- “Stable White” LED luminaires; stabilised colour temperature: 3000 K (LED930: warm white) or 4000 K (LED940: neutral white)
- Smooth reflector in aluminized highly specular finish, iridescence-free with additional curved MPO+ (micro-pyramidal) optic
- High-efficiency LED lighting chamber is integrated in optimised, passive thermal management system; made of diecast aluminium
- Pre-assembled model comprising luminaire and ballast unit (Dali)
- 50000 h service life at 80 % luminous flux
- Luminaire luminous flux: 800 lm
- Colour rendering index: Ra > 90
- Electrical connection: 4-pole terminal
- Minimum luminaire recess depth 130 mm
- Can be used with 220 V DC group battery

	RD/RØ	kg	Order no.
PANOS INFINITY E150 WW LED, white trim			
12 W LED940	130/150	0,6	60 814 291
13 W LED930	130/150	0,6	60 814 290
PANOS INFINITY E150 WW LED, flush-fitting in ceiling			
12 W LED940	130/150	0,4	60 814 294
13 W LED930	130/150	0,4	60 814 293



PANOS INFINITY E200 WW LED Wallwasher



- [...]
 - “Stable White” LED luminaires, stabilised colour temperature: 3000 K (LED930: warm white) or 4000 K (LED940: neutral white) and “Tunable White”, dynamic colour-temperature variation: 2700–6500 K (LED927–65)
 - Smooth reflector; highly reflective aluminised finish for zero iridescence
 - High-efficiency LED lighting chamber integrated in the optimised, passive thermal management system made of extruded aluminium section
 - Complete model comprises luminaire and ballast unit
 - With controllable ballast (Dali), separate unit
 - Service life: 50 000 h at 70 % luminous flux
 - “Stable White” luminaire luminous flux: > 1000 lm for 16 W, > 1800 lm for 23 W
 - “Tunable White” luminaire luminous flux: > 900 lm for 22 W and > 1400 lm for 32 W (2700 K)
 - “Stable White” colour rendering index: Ra > 90
 - “Tunable White” colour rendering index: Ra 90
 - 5-pole terminal with plug-in connection; loop-in/loop-out only possible for “Stable White”
 - Minimum luminaire recess depth: 142 mm
 - “Tunable White” model can only be controlled via EMOTION, CIRCLE TUNE or LITENET (DT8 2010)

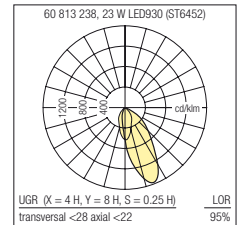
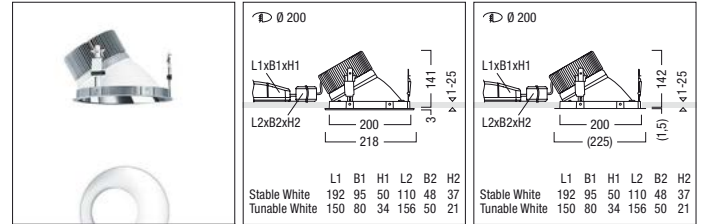
RD/RØ kg Order no.

PANOS INFINITY E200 WW LED, white trim

16 W LED930 dimmable Dali only	145/200	1,3	60 813 236
16 W LED940 dimmable Dali only	145/200	1,3	60 813 237
22 W LED927-65 dimmable Dali	145/200	1,2	60 813 892
23 W LED930 dimmable Dali only	145/200	1,3	60 813 238
23 W LED940 dimmable Dali only	145/200	1,3	60 813 239

PANOS INFINITY E200 WW LED, flush in ceiling

16 W LED930 dimmable Dali only	145/200	1,1	60 813 243
16 W LED940 dimmable Dali only	145/200	1,1	60 813 244
22 W LED927-65 dimmable Dali	145/200	1,2	60 813 893
23 W LED930 dimmable Dali only	145/200	1,1	60 813 245
23 W LED940 dimmable Dali only	145/200	1,1	60 813 246



PANOS INFINITY attachments / accessories

antiglare ring

Order no.



- For improved glare control with PANOS INFINITY LF or PANOS INFINITY LG recessed luminaires
- UGR < 19 for office applications in compliance with EN12464
- Also suitable for use with flush-fitting ceiling luminaires

Anti-glare ring

PANOS INFINITY DA 150 mm	60 800 647
PANOS INFINITY DA 200 mm	60 800 648



IP54 attachment, transparent

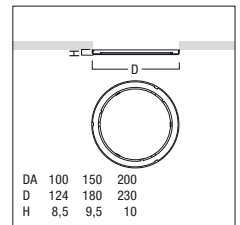
Order no.



- Designed to achieve IP54 degree of protection with PANOS INFINITY recessed luminaires in closed ceilings
- Please note: not suitable for luminaire models that fit flush in the ceiling

Transparent attachment (IP 54)

PANOS INFINITY DA 100 mm	60 800 767
PANOS INFINITY DA 150 mm	60 800 645
PANOS INFINITY DA 200 mm	60 800 646



Decorative glass FLUX

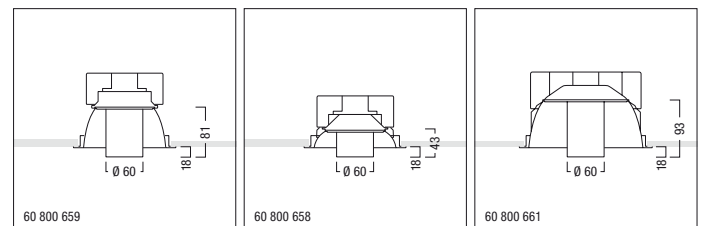
Order no.



- High-quality decorative acrylic glass cylinder, transparent
- Quick to fit using reflector twist-and-lock fastening
- Also suitable for use with flush-fitting ceiling luminaires

Decorative attachment

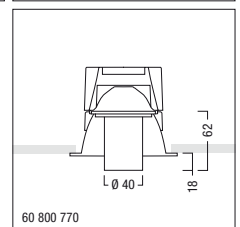
PANOS INFINITY H, DA 150 mm	60 800 659
PANOS INFINITY H, DA 200 mm	60 800 661
PANOS INFINITY L, DA 100 mm	60 800 770
PANOS INFINITY L, DA 150 mm	60 800 658
PANOS INFINITY L, DA 200 mm	60 800 660



60 800 659

60 800 658

60 800 661



60 800 770

Decorative ring

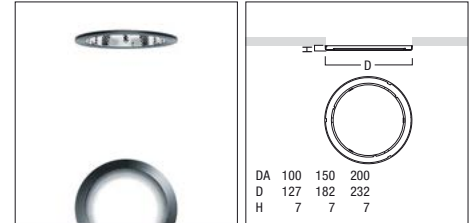
Order no.



- Aluminium decorative attachment ring in choice of finishes: brushed, anthracite or silver-anodised
- Supply includes holding ring for attachment
- Quick installation using “twist and lock” fixing method

Decorative ring

PANOS INFINITY DA 100 mm, in anodized anthracite finish	60 800 769
PANOS INFINITY DA 100 mm, in silver anodized finish	60 800 768
PANOS INFINITY DA 150 mm, anthracite anodised finish	60 800 656
PANOS INFINITY DA 150 mm, silver anodised finish	60 800 630
PANOS INFINITY DA 200 mm, anthracite anodised finish	60 800 657
PANOS INFINITY DA 200 mm, silver anodised finish	60 800 631



Decorative glass attachment, external matt finish

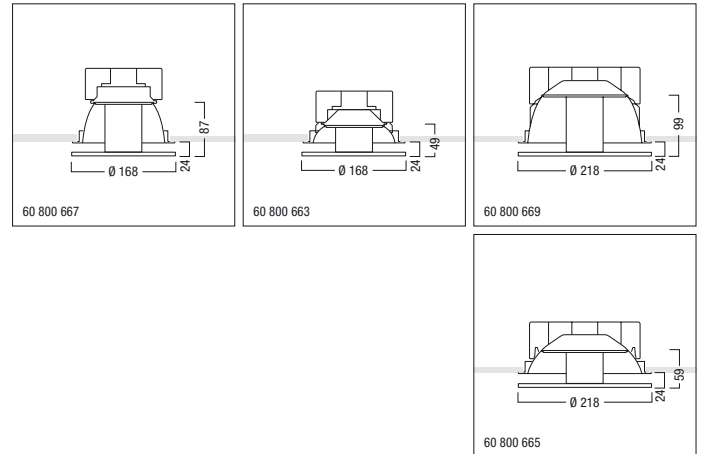
Order no.



- Decorative glass cylinder made of high-quality transparent acrylic glass topped with circular disk and in external matt finish
- Quick to fit using reflector twist-and-lock fastening
- Also suitable for use with flush-fitting ceiling luminaires

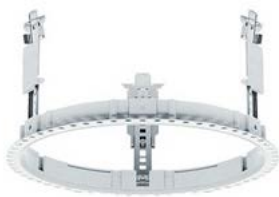
Decorative glass attachment

PANOS INFINITY H, DA 150 mm, external matt finish	60 800 667
PANOS INFINITY H, DA 200 mm, external matt finish	60 800 669
PANOS INFINITY L, DA 100 mm, external matt finish	60 800 771
PANOS INFINITY L, DA 150 mm, external matt finish	60 800 663
PANOS INFINITY L, DA 200 mm, external matt finish	60 800 665



Planar ring

Order no.



- For flush-fitting PANOS INFINITY recessed luminaires (flush-fitting ceiling version) in plaster ceilings or Armstrong ceiling elements
- Perforated polycarbonate with edge designed for installation in plaster ceiling
- Perforated aluminium with plastering edge for Armstrong ceilings

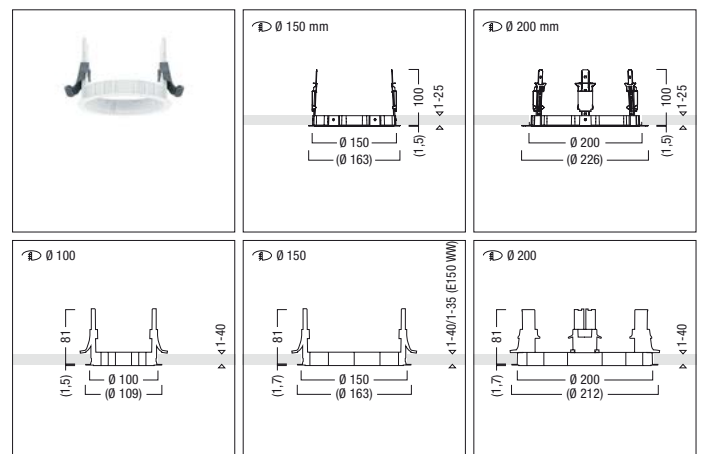
Planar ring (polycarbonate) only for luminaire

PANOS INFINITY ceiling cutout 100 mm	60 800 765
PANOS INFINITY ceiling cutout 150 mm	60 800 774
PANOS INFINITY ceiling cutout 200 mm	60 800 775

Planar ring (aluminium) only for luminaire

PANOS INFINITY ceiling cutout 150 mm	60 800 622
PANOS INFINITY DA 200 mm	60 800 623

60 800 622: not suitable for PANOS INFINITY E150 WW DB (flush-fitted ceiling model).



Surface-mount housing for PANOS INFINITY E150 L

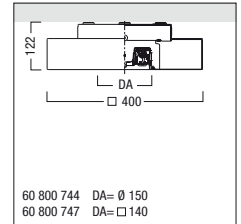


- Low-profile housing for surface-mounting on ceiling for better integration in the architectural surroundings
- Sheet steel 2-piece housing in white powder-coated finish
- Top housing section (including electrical connection) fits to ceiling
- Bottom section of housing for accommodating PANOS INFINITY E150 LF / LG / LM / LL recessed luminaires (flush-fitted ceiling model); please order luminaire separately
- Bottom section of housing is snap-fitted into top section
- Electrical supply: 5-pin terminal block with plug-in connection; lead included for connecting to ballast unit
- Prepared for looping-through
- Surface-mount housing is also suitable for emergency lighting models (NA3)
- Planar ring for mounting flush-fitted ceiling luminaire is already prefitted in the surface-mount housing
- The PANOS INFINITY recessed luminaires achieve IP20 degree of protection when used in combination with the surface-mount housing

Surface-mount housing for PANOS INFINITY E150
LF / LG / LM / LL (flush-fitted ceiling model)

L/W/H	kg	Order no.
PANOS INFINITY ceiling cutout 150 mm	400/400/122	3,7 60 800 744

Note on illustration: shows surface-mount housing fitted with luminaire.



Surface-mount housing for PANOS INFINITY E200 H

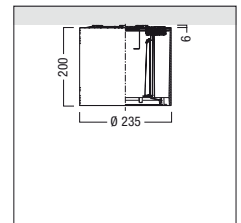


- Cylindrical surface-mount housing in classic design
- Die-cast aluminium 2-piece housing in white painted finish
- Top housing section (including electrical connection) fits to ceiling
- Bottom section of housing for accommodating PANOS INFINITY E200 HF / HG / HM / HL recessed luminaires (model with white trim); please order luminaire separately
- Bottom section of housing is fixed to top section by twist-and-lock catch
- Electrical supply: 5-pole plug-in terminal with connecting cable to ballast unit
- Prepared for looping-through
- The PANOS INFINITY recessed luminaires achieve IP20 degree of protection when used in combination with the surface-mount housing
- Pendant suspension available on request

Surface-mount housing for PANOS INFINITY E200
HF / HG / HM / HL (white trim model)

L/W/H	kg	Order no.
PANOS INFINITY ceiling cutout 200 mm	200/200/200	2,1 60 800 745

Note on illustration: shows surface-mount housing fitted with luminaire.



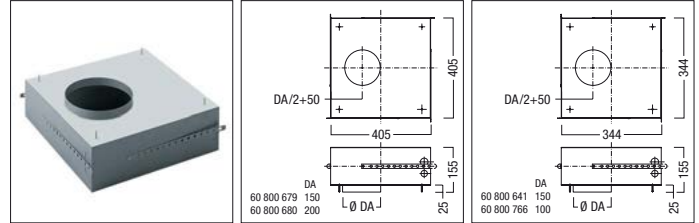
Casting surround

- For recess-mounting PANOS INFINITY recess luminaires in concrete ceilings
- Compact sheet-steel housing
- Stainless-steel housing surround and stabilizing pins
- Housing can be connected to the iron reinforcement and shuttering using special fixing clips
- Can be fitted in exposed concrete ceilings
- Use of concrete casting surround subject to certain restrictions, please see table in installation instructions

Concrete casting surround

Concrete casting surround,	L/W/H	kg	Order no.
ceiling cutout = 100 mm, H= 155 mm	344/344/155	3,3	60 800 766
Concrete casting surround,			
ceiling cutout = 150 mm, H= 155 mm	344/344/155	3,3	60 800 641
Concrete casting surround,			
ceiling cutout = 150 mm, H= 155 mm	344/344/155	3,3	60 800 679
Concrete casting surround,			
ceiling cutout = 200 mm, H= 155 mm	405/405/155	4,4	60 800 680

60 800 679/680: can also be used for emergency lighting models (NA3).
 60 800 641: can only be used for standard luminaires E150.

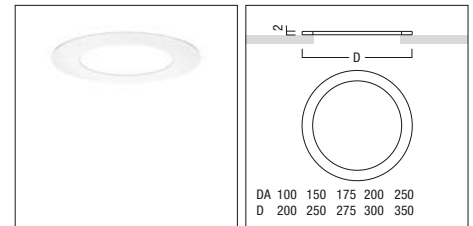


Ceiling reinforcing ring

- Mounting kit for thin ceilings or soft ceiling materials
- For increasing or reinforcing supporting area when fixing luminaire
- Material: plastic

Ceiling reinforcing ring

Ceiling reinforcing ring cutout	Order no.
100 mm	60 800 313
150 mm	60 800 314
200 mm	60 800 316



Retrofit rings

- For reducing recessed diameters in suspended ceilings
- Material: sheet steel, painted in white
- Installation: using spring clips, ceilings up to 25 mm thick

Retrofit ring

Retrofit ring	Order no.
from DA 170 mm to DA 150 mm	60 800 734
from DA 190 mm to DA 150 mm	60 800 735
from DA 220 mm to DA 200 mm	60 800 736
from DA 230 mm to DA 200 mm	60 800 737



PANOS INFINITY Q L

[...] Shared properties PANOS INFINITY Q LOW

- Ideal where ceiling space is limited: recessed depth just 100 mm
- “Stable White” LED luminaires, stabilised colour temperature: 3000 K (LED930: warm white) or 4000 K (LED940: neutral white) and “Tunable White”, dynamic colour-temperature variation: 2700–6500 K (LED927–65)
- High-quality reflector unit fastened by catch to modular LED lighting chamber
- High-efficiency LED lighting chamber integrated in the optimised, passive thermal management system made of extruded aluminium section
- Reflector/trim is a single unit made of high-quality, UV-resistant polycarbonate
- White trim, detachable
- Complete model comprises luminaire and ballast unit
- With controllable ballast (Dali), separate unit
- Service life: 50 000 h at 70 % luminous flux
- Luminaire efficiency: up to 84 lm/W (depends on lamp type)
- “Stable White” luminaire luminous flux: > 1000 lm for 16 W, > 1800 lm for 25 W, > 2400 lm for 32 W
- “Tunable White” luminaire luminous flux: > 900 lm for 22 W and > 1400 lm for 32 W (2700 K)
- “Stable White” colour rendering index: Ra > 90
- “Tunable White” colour rendering index: Ra 90
- Installation: mounting frame made of die-cast aluminium with spring clips for no-tool installation in ceilings with thickness 1–25 mm
- EASY-CLEAN catch ensures quick installation of luminaire unit without tools
- Luminaire pre-wired using halogen-free leads
- 5-pole terminal with plug-in connection; loop-in/loop-out only possible for “Stable White”
- Flush-fitting ceiling model: please order seating surround (planar surround) separately (see accessories)
- “Tunable White” model can only be controlled via EMOTION, CIRCLE TUNE or LITENET (DT8 2010)
- Can be used with 220 V DC group battery
- Models incorporating 3-hour emergency lighting are available on request
- **Please go to the main product name in the ONLINE catalog to find the latest power consumption figures based on continuous improvements in efficiency**

PANOS INFINITY Q140/Q190 LF LED with faceted optic



- [...]
- Faceted reflector; highly-reflective aluminised finish for zero iridescence
- EN12464 compliant for office applications with UGR < 19 when used with additional glare-control surround (see attachments)

PANOS INFINITY Q140 LF LED, white trim	EL/EB/ET	kg	Order no.
16 W LED930 dimmable Dali only	140/140/100	1,4	60 813 060
16 W LED940 dimmable Dali only	140/140/100	1,4	60 813 064
22 W LED927-65 dimmable Dali	140/140/100	1,3	60 813 860
25 W LED930 dimmable Dali only	140/140/100	1,4	60 813 044
25 W LED940 dimmable Dali only	140/140/100	1,4	60 813 048

PANOS INFINITY Q140 LF LED, flush in ceiling	EL/EB/ET	kg	Order no.
16 W LED930 dimmable Dali only	140/140/100	1,1	60 813 100
16 W LED940 dimmable Dali only	140/140/100	1,1	60 813 104
22 W LED927-65 dimmable Dali	140/140/100	1,0	60 813 868
25 W LED930 dimmable Dali only	140/140/100	1,1	60 813 084
25 W LED940 dimmable Dali only	140/140/100	1,1	60 813 088

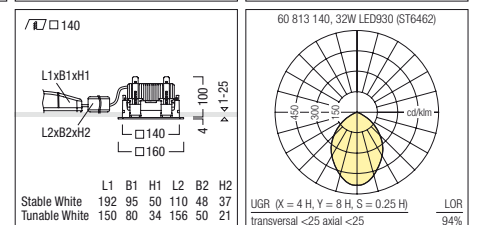
PANOS INFINITY Q190 LF LED, white trim	EL/EB/ET	kg	Order no.
25 W LED930 dimmable Dali only	190/190/100	1,6	60 813 124
25 W LED940 dimmable Dali only	190/190/100	1,6	60 813 128
32 W LED927-65 dimmable Dali	190/190/100	1,5	60 813 876
32 W LED930 dimmable Dali only	190/190/100	1,6	60 813 140
32 W LED940 dimmable Dali only	190/190/100	1,6	60 813 144

PANOS INFINITY Q190 LF LED, flush in ceiling	EL/EB/ET	kg	Order no.
25 W LED930 dimmable Dali only	190/190/100	1,3	60 813 164
25 W LED940 dimmable Dali only	190/190/100	1,3	60 813 168
32 W LED927-65 dimmable Dali	190/190/100	1,2	60 813 884
32 W LED930 dimmable Dali only	190/190/100	1,3	60 813 180
32 W LED940 dimmable Dali only	190/190/100	1,3	60 813 184

See Attachments and Accessories for surface-mount housing for PANOS INFINITY Q140 L.



□ 190	□ 190	□ 140																																																															
<p>L1xB1xH1 L2xB2xH2 □ 190 □ 210 4 p < 1-25</p> <table border="1"> <thead> <tr> <th></th> <th>L1</th> <th>B1</th> <th>H1</th> <th>L2</th> <th>B2</th> <th>H2</th> </tr> </thead> <tbody> <tr> <td>Stable White</td> <td>192</td> <td>95</td> <td>50</td> <td>110</td> <td>48</td> <td>37</td> </tr> <tr> <td>Tunable White</td> <td>150</td> <td>80</td> <td>34</td> <td>156</td> <td>50</td> <td>21</td> </tr> </tbody> </table>		L1	B1	H1	L2	B2	H2	Stable White	192	95	50	110	48	37	Tunable White	150	80	34	156	50	21	<p>L1xB1xH1 L2xB2xH2 □ 190 □ 208 (2) 100 p < 1-25</p> <table border="1"> <thead> <tr> <th></th> <th>L1</th> <th>B1</th> <th>H1</th> <th>L2</th> <th>B2</th> <th>H2</th> </tr> </thead> <tbody> <tr> <td>Stable White</td> <td>192</td> <td>95</td> <td>50</td> <td>110</td> <td>48</td> <td>37</td> </tr> <tr> <td>Tunable White</td> <td>150</td> <td>80</td> <td>34</td> <td>156</td> <td>50</td> <td>21</td> </tr> </tbody> </table>		L1	B1	H1	L2	B2	H2	Stable White	192	95	50	110	48	37	Tunable White	150	80	34	156	50	21	<p>L1xB1xH1 L2xB2xH2 □ 140 □ 158 (2) 100 p < 1-25</p> <table border="1"> <thead> <tr> <th></th> <th>L1</th> <th>B1</th> <th>H1</th> <th>L2</th> <th>B2</th> <th>H2</th> </tr> </thead> <tbody> <tr> <td>Stable White</td> <td>192</td> <td>95</td> <td>50</td> <td>110</td> <td>48</td> <td>37</td> </tr> <tr> <td>Tunable White</td> <td>150</td> <td>80</td> <td>34</td> <td>156</td> <td>50</td> <td>21</td> </tr> </tbody> </table>		L1	B1	H1	L2	B2	H2	Stable White	192	95	50	110	48	37	Tunable White	150	80	34	156	50	21
	L1	B1	H1	L2	B2	H2																																																											
Stable White	192	95	50	110	48	37																																																											
Tunable White	150	80	34	156	50	21																																																											
	L1	B1	H1	L2	B2	H2																																																											
Stable White	192	95	50	110	48	37																																																											
Tunable White	150	80	34	156	50	21																																																											
	L1	B1	H1	L2	B2	H2																																																											
Stable White	192	95	50	110	48	37																																																											
Tunable White	150	80	34	156	50	21																																																											



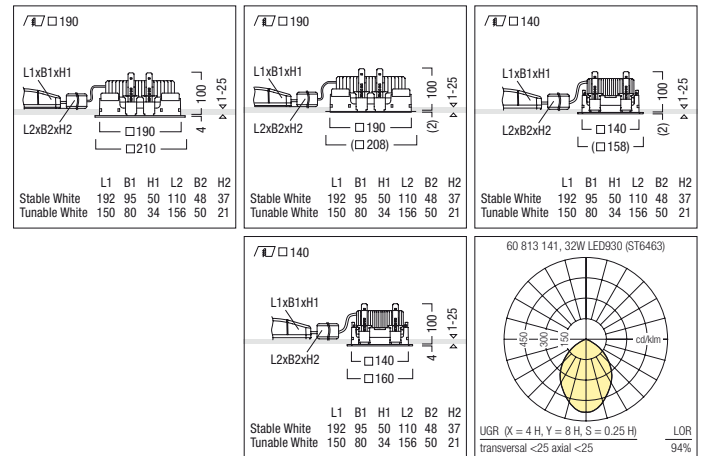
PANOS INFINITY Q140/Q190 LG LED with smooth optic



- [...]
 - Smooth reflector; highly reflective aluminised finish for zero iridescence
 - EN12464 compliant for office applications with UGR < 19 when used with additional glare-control surround (see attachments)

	EL/EB/ET	kg	Order no.
PANOS INFINITY Q140 LG LED, white trim			
16 W LED930 dimmable Dali only	140/140/100	1,4	60 813 061
16 W LED940 dimmable Dali only	140/140/100	1,4	60 813 065
22 W LED927-65 dimmable Dali	140/140/100	1,3	60 813 861
25 W LED930 dimmable Dali only	140/140/100	1,4	60 813 045
25 W LED940 dimmable Dali only	140/140/100	1,4	60 813 049
PANOS INFINITY Q140 LG LED, flush in ceiling			
16 W LED930 dimmable Dali only	140/140/100	1,1	60 813 101
16 W LED940 dimmable Dali only	140/140/100	1,1	60 813 105
22 W LED927-65 dimmable Dali	140/140/100	1,0	60 813 869
25 W LED930 dimmable Dali only	140/140/100	1,1	60 813 085
25 W LED940 dimmable Dali only	140/140/100	1,1	60 813 089
PANOS INFINITY Q190 LG LED, white trim			
25 W LED930 dimmable Dali only	190/190/100	1,6	60 813 125
25 W LED940 dimmable Dali only	190/190/100	1,6	60 813 129
32 W LED927-65 dimmable Dali	190/190/100	1,5	60 813 877
32 W LED930 dimmable Dali only	190/190/100	1,6	60 813 141
32 W LED940 dimmable Dali only	190/190/100	1,6	60 813 145
PANOS INFINITY Q190 LG LED, flush in ceiling			
25 W LED930 dimmable Dali only	190/190/100	1,3	60 813 165
25 W LED940 dimmable Dali only	190/190/100	1,3	60 813 169
32 W LED927-65 dimmable Dali	190/190/100	1,2	60 813 885
32 W LED930 dimmable Dali only	190/190/100	1,3	60 813 181
32 W LED940 dimmable Dali only	190/190/100	1,3	60 813 185

See Attachments and Accessories for surface-mount housing for PANOS INFINITY Q140 L.



PANOS INFINITY Q L

PANOS INFINITY Q140/Q190 LM LED with matt optic



- [...]
 - Matt reflector with smooth aluminium-look finish



EL/EB/ET kg Order no.

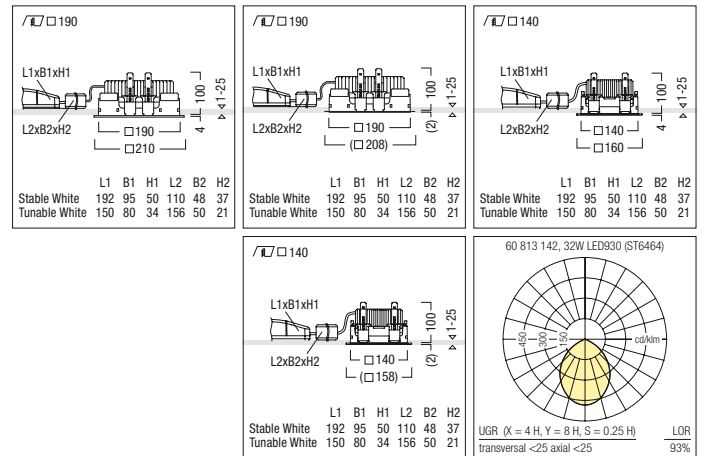
PANOS INFINITY Q140 LM LED, white trim				
16 W LED930 dimmable Dali only	140/140/100	1,4	60 813 062	
16 W LED940 dimmable Dali only	140/140/100	1,4	60 813 066	
22 W LED927-65 dimmable Dali	140/140/100	1,3	60 813 862	
25 W LED930 dimmable Dali only	140/140/100	1,4	60 813 046	
25 W LED940 dimmable Dali only	140/140/100	1,4	60 813 050	

PANOS INFINITY Q140 LM LED, flush in ceiling				
16 W LED930 dimmable Dali only	140/140/100	1,1	60 813 102	
16 W LED940 dimmable Dali only	140/140/100	1,1	60 813 106	
22 W LED927-65 dimmable Dali	140/140/100	1,0	60 813 870	
25 W LED930 dimmable Dali only	140/140/100	1,1	60 813 086	
25 W LED940 dimmable Dali only	140/140/100	1,1	60 813 090	

PANOS INFINITY Q190 LM LED, white trim				
25 W LED930 dimmable Dali only	190/190/100	1,6	60 813 126	
25 W LED940 dimmable Dali only	190/190/100	1,6	60 813 130	
32 W LED927-65 dimmable Dali	190/190/100	1,5	60 813 878	
32 W LED930 dimmable Dali only	190/190/100	1,6	60 813 142	
32 W LED940 dimmable Dali only	190/190/100	1,6	60 813 146	

PANOS INFINITY Q190 LM LED, flush in ceiling				
25 W LED930 dimmable Dali only	190/190/100	1,3	60 813 166	
25 W LED940 dimmable Dali only	190/190/100	1,3	60 813 170	
32 W LED927-65 dimmable Dali	190/190/100	1,2	60 813 886	
32 W LED930 dimmable Dali only	190/190/100	1,3	60 813 182	
32 W LED940 dimmable Dali only	190/190/100	1,3	60 813 186	

See Attachments and Accessories for surface-mount housing for PANOS INFINITY Q140 L.



PANOS INFINITY Q140/Q190 LL LED with painted optic



- [...]
 - White reflector, smooth



EL/EB/ET kg Order no.

PANOS INFINITY Q140 LL LED, white trim

16 W LED930 dimmable Dali only	140/140/100	1,4	60 813 063
16 W LED940 dimmable Dali only	140/140/100	1,4	60 813 067
22 W LED927-65 dimmable Dali	140/140/100	1,3	60 813 863
25 W LED930 dimmable Dali only	140/140/100	1,4	60 813 047
25 W LED940 dimmable Dali only	140/140/100	1,4	60 813 051

PANOS INFINITY Q140 LL LED, flush in ceiling

16 W LED930 dimmable Dali only	140/140/100	1,1	60 813 103
16 W LED940 dimmable Dali only	140/140/100	1,1	60 813 107
22 W LED927-65 dimmable Dali	140/140/100	1,0	60 813 871
25 W LED930 dimmable Dali only	140/140/100	1,1	60 813 087
25 W LED940 dimmable Dali only	140/140/100	1,1	60 813 091

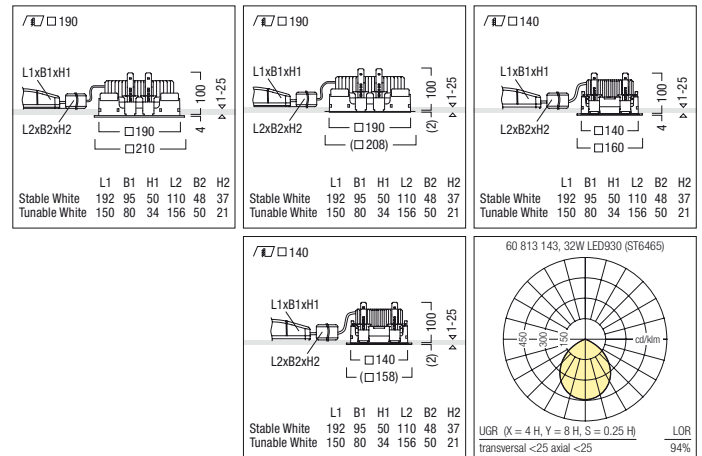
PANOS INFINITY Q190 LL LED, white trim

25 W LED930 dimmable Dali only	190/190/100	1,6	60 813 127
25 W LED940 dimmable Dali only	190/190/100	1,6	60 813 131
32 W LED927-65 dimmable Dali	190/190/100	1,5	60 813 879
32 W LED930 dimmable Dali only	190/190/100	1,6	60 813 143
32 W LED940 dimmable Dali only	190/190/100	1,6	60 813 147

PANOS INFINITY Q190 LL LED, flush in ceiling

25 W LED930 dimmable Dali only	190/190/100	1,3	60 813 167
25 W LED940 dimmable Dali only	190/190/100	1,3	60 813 171
32 W LED927-65 dimmable Dali	190/190/100	1,2	60 813 887
32 W LED930 dimmable Dali only	190/190/100	1,3	60 813 183
32 W LED940 dimmable Dali only	190/190/100	1,3	60 813 187

See Attachments and Accessories for surface-mount housing for PANOS INFINITY Q140 L.



PANOS INFINITY Q H

[...] Shared properties PANOS INFINITY Q HIGH

- “Stable White” LED luminaires, stabilised colour temperature: 3000 K (LED930: warm white) or 4000 K (LED940: neutral white) and “Tunable White”, dynamic colour-temperature variation: 2700–6500 K (LED927–65)
- High-quality reflector unit fastened by catch to modular LED lighting chamber
- High-efficiency LED lighting chamber integrated in the optimised, passive thermal management system made of extruded aluminium section
- Reflector/trim is a single unit made of high-quality, UV-resistant polycarbonate
- White trim, detachable
- Complete model comprises luminaire and ballast unit
- With controllable ballast (Dali), separate unit
- Service life: 50 000 h at 70 % luminous flux
- Luminaire efficiency: up to 78 lm/W (depending on luminaire type)
- “Stable White” luminaire luminous flux: > 1000 lm for 16 W, > 1800 lm for 25 W, > 2400 lm for 32 W
- “Tunable White” luminaire luminous flux: > 900 lm for 22 W and > 1400 lm for 32 W (2700 K)
- “Stable White” colour rendering index: Ra > 90
- “Tunable White” colour rendering index: Ra 90
- Installation: mounting frame made of die-cast aluminium with spring clips for no-tool installation in ceilings with thickness 1–25 mm
- EASY-CLEAN catch ensures quick installation of luminaire unit without tools
- Luminaire pre-wired using halogen-free leads
- 5-pole terminal with plug-in connection; loop-in/loop-out only possible for “Stable White”
- Minimum luminaire recess depth 140 mm
- Flush-fitting ceiling model: please order seating surround (planar surround) separately (see accessories)
- “Tunable White” model can only be controlled via EMOTION, CIRCLE TUNE or LITENET (DT8 2010)
- Can be used with 220 V DC group battery
- Models incorporating 3-hour emergency lighting are available on request
- **Please go to the main product name in the ONLINE catalog to find the latest power consumption figures based on continuous improvements in efficiency**

PANOS INFINITY Q140/Q190 HF LED with faceted optic



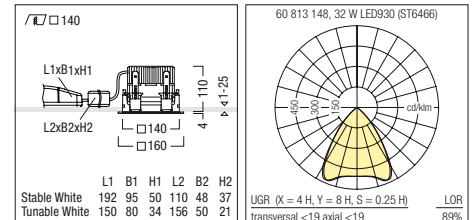
- [...]
- Facetted reflector; highly-reflective aluminised finish for zero iridescence
- EN12464 compliant for office applications with UGR < 19



	EL/EB/ET	kg	Order no.
PANOS INFINITY Q140 HF LED, white trim			
16 W LED930 dimmable Dali only	140/140/140	1,5	60 813 068
16 W LED940 dimmable Dali only	140/140/140	1,5	60 813 072
22 W LED927-65 dimmable Dali	140/140/140	1,4	60 813 864
25 W LED930 dimmable Dali only	140/140/140	1,5	60 813 052
25 W LED940 dimmable Dali only	140/140/140	1,5	60 813 056
PANOS INFINITY Q140 HF LED, flush in ceiling			
16 W LED930 dimmable Dali only	140/140/140	1,2	60 813 108
16 W LED940 dimmable Dali only	140/140/140	1,2	60 813 112
22 W LED927-65 dimmable Dali	140/140/140	1,1	60 813 872
25 W LED930 dimmable Dali only	140/140/140	1,2	60 813 092
25 W LED940 dimmable Dali only	140/140/140	1,2	60 813 096
PANOS INFINITY Q190 HF LED, white trim			
25 W LED930 dimmable Dali only	190/190/140	1,8	60 813 132
25 W LED940 dimmable Dali only	190/190/140	1,8	60 813 136
32 W LED927-65 dimmable Dali	190/190/140	1,7	60 813 880
32 W LED930 dimmable Dali only	190/190/140	1,8	60 813 148
32 W LED940 dimmable Dali only	190/190/140	1,8	60 813 152
PANOS INFINITY Q190 HF LED, flush in ceiling			
25 W LED930 dimmable Dali only	190/190/140	1,5	60 813 172
25 W LED940 dimmable Dali only	190/190/140	1,5	60 813 176
32 W LED927-65 dimmable Dali	190/190/140	1,4	60 813 888
32 W LED930 dimmable Dali only	190/190/140	1,5	60 813 188
32 W LED940 dimmable Dali only	190/190/140	1,5	60 813 192



□ 190	□ 190	□ 140
<p>L1xB1xH1 L2xB2xH2 □ 190 □ 210</p> <p>L1 B1 H1 L2 B2 H2 Stable White 192 95 50 110 48 37 Tunable White 150 80 34 156 50 21</p>	<p>L1xB1xH1 L2xB2xH2 □ 190 □ 208</p> <p>L1 B1 H1 L2 B2 H2 Stable White 192 95 50 110 48 37 Tunable White 150 80 34 156 50 21</p>	<p>L1xB1xH1 L2xB2xH2 □ 140 □ 158</p> <p>L1 B1 H1 L2 B2 H2 Stable White 192 95 50 110 48 37 Tunable White 150 80 34 156 50 21</p>

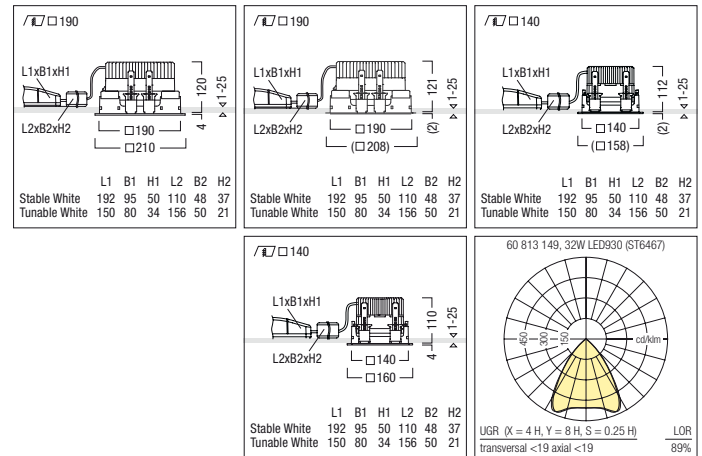


PANOS INFINITY Q140/Q190 HG LED with smooth optic



- [...]
 - Smooth reflector; highly reflective aluminised finish for zero iridescence
 - EN12464 compliant for office applications with UGR < 19

	EL/EB/ET	kg	Order no.
PANOS INFINITY Q140 HG LED, white trim			
16 W LED930 dimmable Dali only	140/140/140	1,5	60 813 069
16 W LED940 dimmable Dali only	140/140/140	1,5	60 813 073
22 W LED927-65 dimmable Dali	140/140/140	1,4	60 813 865
25 W LED930 dimmable Dali only	140/140/140	1,5	60 813 053
25 W LED940 dimmable Dali only	140/140/140	1,5	60 813 057
PANOS INFINITY Q140 HG LED, flush in ceiling			
16 W LED930 dimmable Dali only	140/140/140	1,2	60 813 109
16 W LED940 dimmable Dali only	140/140/140	1,2	60 813 113
22 W LED927-65 dimmable Dali	140/140/140	1,1	60 813 873
25 W LED930 dimmable Dali only	140/140/140	1,2	60 813 093
25 W LED940 dimmable Dali only	140/140/140	1,2	60 813 097
PANOS INFINITY Q190 HG LED, white trim			
25 W LED930 dimmable Dali only	190/190/140	1,8	60 813 133
25 W LED940 dimmable Dali only	190/190/140	1,8	60 813 137
32 W LED927-65 dimmable Dali	190/190/140	1,7	60 813 881
32 W LED930 dimmable Dali only	190/190/140	1,8	60 813 149
32 W LED940 dimmable Dali only	190/190/140	1,8	60 813 153
PANOS INFINITY Q190 HG LED, flush in ceiling			
25 W LED930 dimmable Dali only	190/190/140	1,5	60 813 173
25 W LED940 dimmable Dali only	190/190/140	1,5	60 813 177
32 W LED927-65 dimmable Dali	190/190/140	1,4	60 813 889
32 W LED930 dimmable Dali only	190/190/140	1,5	60 813 189
32 W LED940 dimmable Dali only	190/190/140	1,5	60 813 193



PANOS INFINITY Q H

PANOS INFINITY Q140/Q190 HM LED with matt optic



- [...]
 - Matt reflector with smooth aluminium-look finish

EL/EB/ET kg Order no.

PANOS INFINITY Q140 HM LED, white trim

16 W LED930 dimmable Dali only	140/140/140	1,5	60 813 070
16 W LED940 dimmable Dali only	140/140/140	1,5	60 813 074
22 W LED927-65 dimmable Dali	140/140/140	1,4	60 813 866
25 W LED930 dimmable Dali only	140/140/140	1,5	60 813 054
25 W LED940 dimmable Dali only	140/140/140	1,5	60 813 058

PANOS INFINITY Q140 HM LED, flush in ceiling

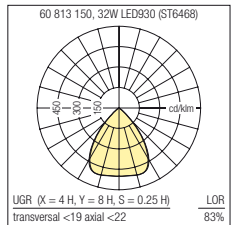
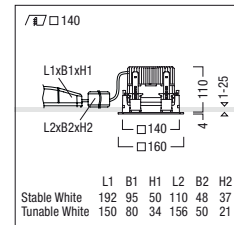
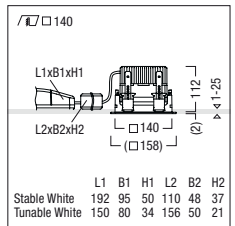
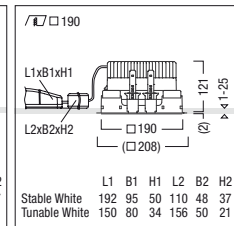
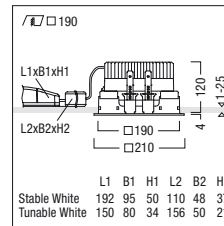
16 W LED930 dimmable Dali only	140/140/140	1,2	60 813 110
16 W LED940 dimmable Dali only	140/140/140	1,2	60 813 114
22 W LED927-65 dimmable Dali	140/140/140	1,1	60 813 874
25 W LED930 dimmable Dali only	140/140/140	1,2	60 813 094
25 W LED940 dimmable Dali only	140/140/140	1,2	60 813 098

PANOS INFINITY Q190 HM LED, white trim

25 W LED930 dimmable Dali only	190/190/140	1,8	60 813 134
25 W LED940 dimmable Dali only	190/190/140	1,8	60 813 138
32 W LED927-65 dimmable Dali	190/190/140	1,7	60 813 882
32 W LED930 dimmable Dali only	190/190/140	1,8	60 813 150
32 W LED940 dimmable Dali only	190/190/140	1,8	60 813 154

PANOS INFINITY Q190 HM LED, flush in ceiling

25 W LED930 dimmable Dali only	190/190/140	1,5	60 813 174
25 W LED940 dimmable Dali only	190/190/140	1,5	60 813 178
32 W LED927-65 dimmable Dali	190/190/140	1,4	60 813 890
32 W LED930 dimmable Dali only	190/190/140	1,5	60 813 190
32 W LED940 dimmable Dali only	190/190/140	1,5	60 813 194



PANOS INFINITY Q140/Q190 HL LED with painted optic



- [...]
 - White reflector, smooth



EL/EB/ET kg Order no.

PANOS INFINITY Q140 HL LED, white trim

16 W LED930 dimmable Dali only	140/140/140	1,5	60 813 071
16 W LED940 dimmable Dali only	140/140/140	1,5	60 813 075
22 W LED927-65 dimmable Dali	140/140/140	1,4	60 813 867
25 W LED930 dimmable Dali only	140/140/140	1,5	60 813 055
25 W LED940 dimmable Dali only	140/140/140	1,5	60 813 059

PANOS INFINITY Q140 HL LED, flush in ceiling

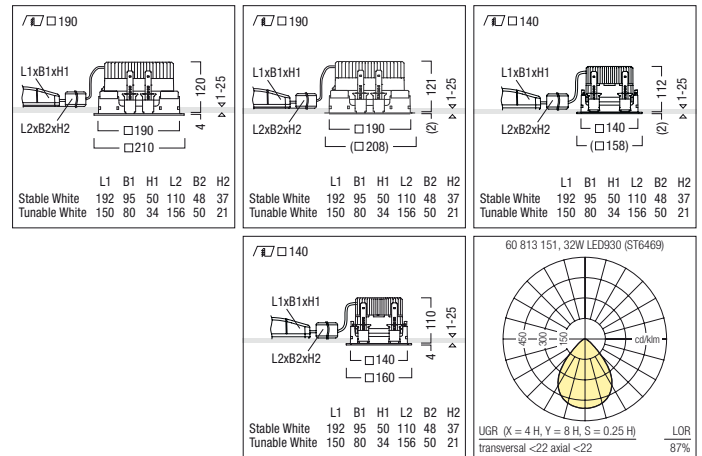
16 W LED930 dimmable Dali only	140/140/140	1,2	60 813 111
16 W LED940 dimmable Dali only	140/140/140	1,2	60 813 115
22 W LED927-65 dimmable Dali	140/140/140	1,1	60 813 875
25 W LED930 dimmable Dali only	140/140/140	1,2	60 813 095
25 W LED940 dimmable Dali only	140/140/140	1,2	60 813 099

PANOS INFINITY Q190 HL LED, white trim

25 W LED930 dimmable Dali only	190/190/140	1,8	60 813 135
25 W LED940 dimmable Dali only	190/190/140	1,8	60 813 139
32 W LED927-65 dimmable Dali	190/190/140	1,7	60 813 883
32 W LED930 dimmable Dali only	190/190/140	1,8	60 813 151
32 W LED940 dimmable Dali only	190/190/140	1,8	60 813 155

PANOS INFINITY Q190 HL LED, flush in ceiling

25 W LED930 dimmable Dali only	190/190/140	1,5	60 813 175
25 W LED940 dimmable Dali only	190/190/140	1,5	60 813 179
32 W LED927-65 dimmable Dali	190/190/140	1,4	60 813 891
32 W LED930 dimmable Dali only	190/190/140	1,5	60 813 191
32 W LED940 dimmable Dali only	190/190/140	1,5	60 813 195



PANOS INFINITY Q attachments / accessories

Glare reduction surround

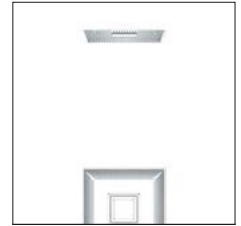
Order no.



- Designed to cut glare from PANOS INFINITY Q LF or PANOS INFINITY Q LG recessed luminaires
- UGR < 19 for office applications in compliance with EN12464
- Also suitable for use with flush-fitting ceiling luminaires

Anti-glare surround

PANOS INFINITY Q 140 mm	60 800 694
PANOS INFINITY Q 190 mm	60 800 695



IP54 attachment, transparent

Order no.



- Used to achieve IP54 degree of protection with PANOS INFINITY Q recessed luminaires in closed ceilings
- Please note: not suitable for luminaire models that fit flush in the ceiling

Transparent attachment (IP 54)

PANOS INFINITY Q 140 mm	60 800 692
PANOS INFINITY Q 190 mm	60 800 693



Decorative glass attachment, FLUX

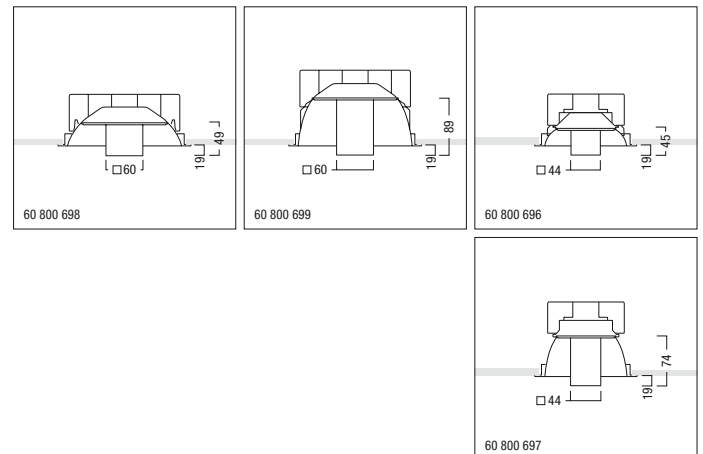
Order no.



- High-quality decorative acrylic glass cube, transparent
- Reflector unit clips quickly in place
- Also suitable for use with flush-fitting ceiling luminaires

Decorative attachment

PANOS INFINITY Q H 140 mm	60 800 697
PANOS INFINITY Q H 190 mm	60 800 699
PANOS INFINITY Q L 140 mm	60 800 696
PANOS INFINITY Q L 190 mm	60 800 698



Decorative surround

Order no.



- Decorative surround in anthracite or silver-look finish
- Decorative attachment surround made of high-quality, UV-resistant polycarbonate in aluminium-look finish
- No-tool installation
- Please note: not suitable for luminaire models that fit flush in the ceiling

Decorative surround

PANOS INFINITY Q 140 mm, anthracite	60 800 689
PANOS INFINITY Q 140 mm, silver	60 800 688
PANOS INFINITY Q 190 mm, anthracite	60 800 691
PANOS INFINITY Q 190 mm, silver	60 800 690



Decorative glass attachment, matt exterior

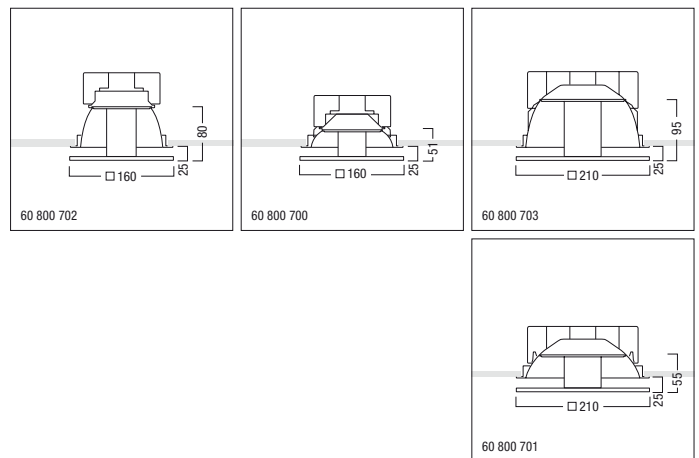
Order no.



- Decorative glass cylinder made of high-quality transparent acrylic glass topped with circular disk and in external matt finish
- Reflector unit clips quickly in place
- Also suitable for use with flush-fitting ceiling luminaires

Decorative glass attachment

PANOS INFINITY Q H 140 mm, frosted exterior	60 800 702
PANOS INFINITY Q H 190 mm, frosted exterior	60 800 703
PANOS INFINITY Q L 140 mm, frosted exterior	60 800 700
PANOS INFINITY Q L 190 mm, frosted exterior	60 800 701



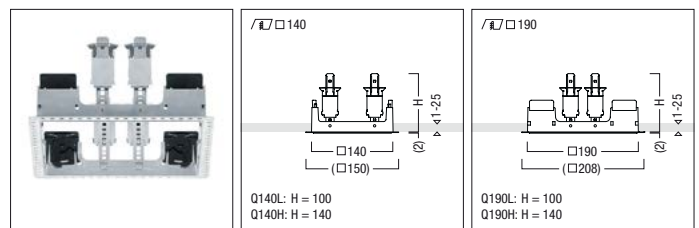
Flat surround

Order no.

- For recessed flush-fitting installation of PANOS INFINITY Q recessed luminaires (flush-fitting model) in plaster ceilings
- Aluminium, perforated, with plastering edge trim

Flat surround for luminaire only

PANOS INFINITY Q 140 mm	60 800 684
PANOS INFINITY Q 190 mm	60 800 685



PANOS INFINITY Q attachments / accessories

Surface-mount housing for PANOS INFINITY Q140 L

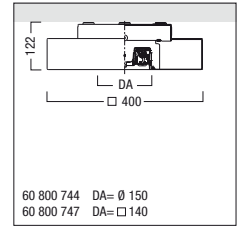


- Low-profile housing for surface-mounting on ceiling for better integration in the architectural surroundings
- Sheet steel 2-piece housing in white powder-coated finish
- Top housing section (including electrical connection) fits to ceiling
- Bottom section of housing for accommodating PANOS INFINITY Q140 LF / LG / LM / LL recessed luminaire (flush-fitted ceiling model); please order luminaire separately
- Bottom section of housing is snap-fitted into top section
- Electrical supply: 5-pin terminal block with plug-in connection; lead included for connecting to ballast unit
- Prepared for looping-through
- Surface-mount housing is also suitable for emergency lighting models (NA3)
- Planar surround for mounting flush-fitted ceiling luminaire is already prefitted in the surface-mount housing
- The PANOS INFINITY recessed luminaires achieve IP20 degree of protection when used in combination with the surface-mount housing

Surface-mount housing for PANOS INFINITY Q140
LF / LG / LM / LL (flush-fitted ceiling model)

	L/W/H	kg	Order no.
PANOS INFINITY Q 140 mm	400/400/122	3,8	60 800 747

Note on illustration: shows surface-mount housing fitted with luminaire.



Surface-mount housing for PANOS INFINITY Q190 H

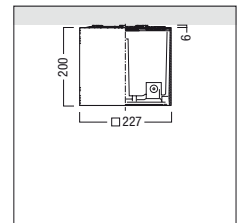


- Square surface-mount housing in classical design
- Die-cast aluminium 2-piece housing in white painted finish
- Top housing section (including electrical connection) fits to ceiling
- Lower housing section designed to take PANOS INFINITY Q190 HF / HG / HM / HL recessed luminaires (model with white circular trim); please order luminaire separately
- Lower housing section fitted to top section using spring clip
- Electrical supply: 5-pole plug-in terminal with connecting cable to ballast unit
- Prepared for looping-through
- The PANOS INFINITY recessed luminaires achieve IP20 degree of protection when used in combination with the surface-mount housing
- Pendant suspension available on request

Surface-mount housing for PANOS INFINITY Q190
HF / HG / HM / HL (model with white trim)

	L/W/H	kg	Order no.
PANOS INFINITY Q 190 mm	227/227/206	2,8	60 800 746

Note on diagram: shows surface-mount housing fitted with luminaire.



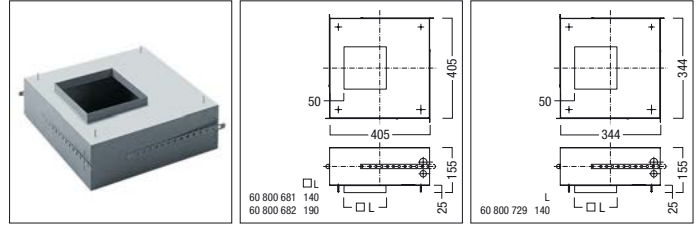
Concrete casting surround

- For installing PANOS INFINITY Q recessed luminaires in plaster ceilings
- Compact sheet-steel housing
- Stainless-steel housing surround and stabilizing pins
- Housing can be connected to the iron reinforcement and shuttering using special fixing clips
- Can be fitted in exposed concrete ceilings
- Use of concrete casting surround subject to certain restrictions, please see table in installation instructions

Concrete casting surround

	L/W/H	kg	Order no.
PANOS INFINITY Q 140 mm	405/405/155	4,4	60 800 681
PANOS INFINITY Q 140 mm	405/405/155	4,4	60 800 729
PANOS INFINITY Q 190 mm	405/405/155	4,4	60 800 682

60 800 681/682: can also be used for emergency lighting models (NA3).
 60 800 729: can only be used for standard luminaires Q140.

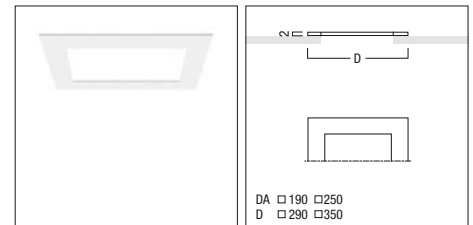


Ceiling reinforcement surround

- Mounting kit for thin ceilings or soft ceiling materials
- For increasing or reinforcing supporting area when fixing luminaire
- Material: plastic

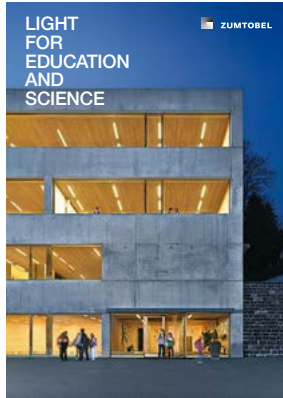
Ceiling reinforcement surround

	Order no.
PANOS Q140 mm	60 800 683
PANOS Q190 mm	60 800 385





zumtobel.com/office



zumtobel.com/education



zumtobel.com/shop



zumtobel.com/hotel



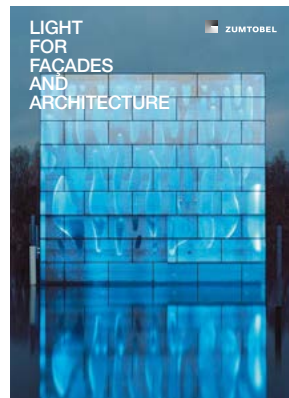
zumtobel.com/culture



zumtobel.com/healthcare



zumtobel.com/industry



zumtobel.com/facade

Zumtobel is the internationally leading supplier of integral lighting solutions for professional interior and exterior lighting applications.

- Offices and Communication
- Education and Science
- Presentation and Retail
- Hotel and Wellness
- Art and Culture
- Health and Care
- Industry and Engineering
- Façades and Architecture

We provide unique customer benefits by integrating technology, design, emotion and energy efficiency. Under the Humanergy Balance concept, we combine the best possible ergonomic lighting quality for an individual's well-being with the responsible use of energy resources. The company's own sales organisations in twenty countries, as well as commercial agencies in fifty other countries, form an international network of experts and design partners providing professional lighting consulting, design assistance and comprehensive services.

Lighting and sustainability

In line with our corporate philosophy *"We want to use light to create worlds of experience, make work easier and improve communications and safety while remaining fully aware of our responsibility to the environment"*, Zumtobel offers energy-efficient high-quality products, while at the same time making sure that our production processes based on the considerate use of resources are environmentally compatible.

zumtobel.com/sustainability



Top quality – with a five-year guarantee.

As a globally leading luminaire manufacturer, Zumtobel provides a five year manufacturer's guarantee on all Zumtobel branded products subject to registration within 90 days from the invoice date and in accordance with the terms of guarantee at zumtobel.com/guarantee.

Order no. 04923981-EN 08/13 © Zumtobel Lighting GmbH
 Technical data was correct at time of going to press.

We reserve the right to make technical changes without notice. Please contact your local sales office for further information. For the sake of the environment: Luxo Light is chlorine-free paper from sustainably managed forests and certified sources.





Track and spots



Modular lighting systems



Downlights



Recessed luminaires



Surface-mounted and pendant luminaires



Free-standing and wall-mounted luminaires



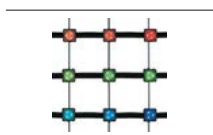
Continuous-row systems and individual batten luminaires



High-bay luminaires and floodlight reflector systems



Luminaires with extra protection



Façade, media and outdoor luminaires



Lighting management system



Emergency lighting



Medical supply systems

United Kingdom

Zumtobel Lighting Ltd.
Chiltern Park
Chiltern Hill, Chalfont St. Peter
Buckinghamshire SL9 9FG
T +44/(0)1753 482 650
F +44/(0)1753 480 350
uksales@zumtobel.com
zumtobel.co.uk

USA and Canada

Zumtobel Lighting Inc.
17-09 Zink Place, Unit 7
Fair Lawn, NJ 07410
3300 Route 9W
Highland, NY 12528
T +1/(0)845/691 6262
F +1/(0)845/691 6289
zli.us@zumtobel.com
zumtobel.us

Australia and New Zealand

Zumtobel Lighting Pty Ltd
333 Pacific Highway
North Sydney, NSW 2060
T +61/(2)8913 5000
F +61/(2)8913 5001
info@zumtobel.com.au
zumtobel.com.au

China

Zumtobel Lighting China
Shanghai office
Room 101,
No 192 YIHONG Technology Park
Tianlin Road, Xuhui District
Shanghai City, 200233, P.R. China
T +86/(21) 6375 6262
F +86/(21) 6375 6285
sales.cn@zumtobel.com
zumtobel.cn

Hong Kong

Zumtobel Lighting Hong Kong
Unit 4319-20, Level 43,
Tower 1, Metroplaza,
223 Hing Fong Road,
Kwai Fong, N.T.
T +852/(0)2503 0466
F +852/(0)2503 0177
info.hk@zumtobel.com

India

Zumtobel Lighting GmbH
1522, Devika Tower,
6, Nehru Place,
110019 New Delhi
T +91/11 4601 2782
info.in@zumtobel.com

Singapore

Zumtobel Lighting Singapore
158 Kallang Way # 06-01/02
Singapore 349245
T +65 6844 5800
F +65 6745 7707
info.sg@zumtobel.com

United Arab Emirates

Zumtobel Lighting GmbH (Branch)
Dubai Airport Free Zone,
Building 6W, B Block, 233
PO Box 54302
Dubai
T +971/(0)4 299 3530
F +971/(0)4 299 3531
info@zumtobeluae.ae

Romania

Zumtobel Lighting Romania SRL
Tipografilor 11-15,
S-Park Office, Wing A1-A2
013714 Bucharest
T +40 312253801
F +40 312253804
welcome.ro@zumtobel.com
zumtobel.com

Hungary

Zumtobel Lighting Kft
Váci út 49
1134 Budapest
T +36/(1) 35 00 828
F +36/(1) 35 00 829
welcome@zumtobel.hu
zumtobel.hu

Croatia, Bosnia and Herzegovina

Zumtobel Licht d.o.o.
Radnička cesta 80 – Zagrebtower
10000 Zagreb
T +385/(1) 64 04 080
F +385/(1) 64 04 090
welcome@zumtobel.hr
welcome.ba@zumtobel.com

Serbia

Zumtobel Licht d.o.o.
Karadjordjeva 2-4
Beton Hala
11000 Belgrade
T +381/(0)11 65 57 657
F +381/(0)11 65 57 658
welcome@zumtobel.rs

Czech Republic

Zumtobel Lighting s.r.o.
Jankovcova 2
Praha 7
170 00 Praha
T +420/(2) 66 782 200
F +420/(2) 66 782 201
welcome@zumtobel.cz
zumtobel.cz

Slovak Republic

Zumtobel Lighting s.r.o.
Vičie Hrdlo 1,
824 12 Bratislava
welcome@zumtobel.sk
zumtobel.sk

Poland

Zumtobel Licht GmbH Sp.z.o.o.
Platinum III
ul. Wołoska 9a
02-583 Warszawa
T +48/(22) 856 74 31
F +48/(22) 856 74 32
welcome@zumtobel.pl
zumtobel.pl

Slovenia

Zumtobel Licht d.o.o.
Štukljeva cesta 46
1000 Ljubljana
T +386/(1) 5609 820
F +386/(1) 5609 866
welcome@zumtobel.si
zumtobel.si

Russia

Zumtobel Lighting GmbH
Official Representative Office
Skakovaya Str. 17
Bld. No 1, Office 1104
125040 Moscow
T +7/(495) 945 36 33
F +7/(495) 945 16 94
info-russia@zumtobel.com
zumtobel.ru

Norway

Zumtobel Belysning
Hoffsveien 4
Postboks 1025 Hoff
0218 Oslo
T +47 22 06 50 50
F +47 22 06 50 52
firmapost@zumtobel.com
zumtobel.no

Sweden

Zumtobel Belysning
Birger Jarlsgatan 57
113 56 Stockholm
T +46 8 26 26 50
F +46 8 26 56 05
info.se@zumtobel.com
zumtobel.se

Denmark

Zumtobel Belysning
Store Kongensgade 118
1264 København
T +45 35 43 70 00
info.dk@zumtobel.com
zumtobel.dk

Headquarters

Zumtobel Lighting GmbH
Schweizer Strasse 30
Postfach 72
6851 Dornbirn, AUSTRIA
T +43/(0)5572/390-0
F +43/(0)5572/22 826
info@zumtobel.info

Zumtobel Licht GmbH
Grevensmarchstrasse 74-78
32657 Lemgo, GERMANY
T +49/(0)5261 212-0
F +49/(0)5261 212-7777
info@zumtobel.de

zumtobel.com



ZUMTOBEL

PANOS INFINITY

LED downlight range

The new age of light
and efficiency.

