



*highlights*

Product innovations

Edition I 2019

# INTRO

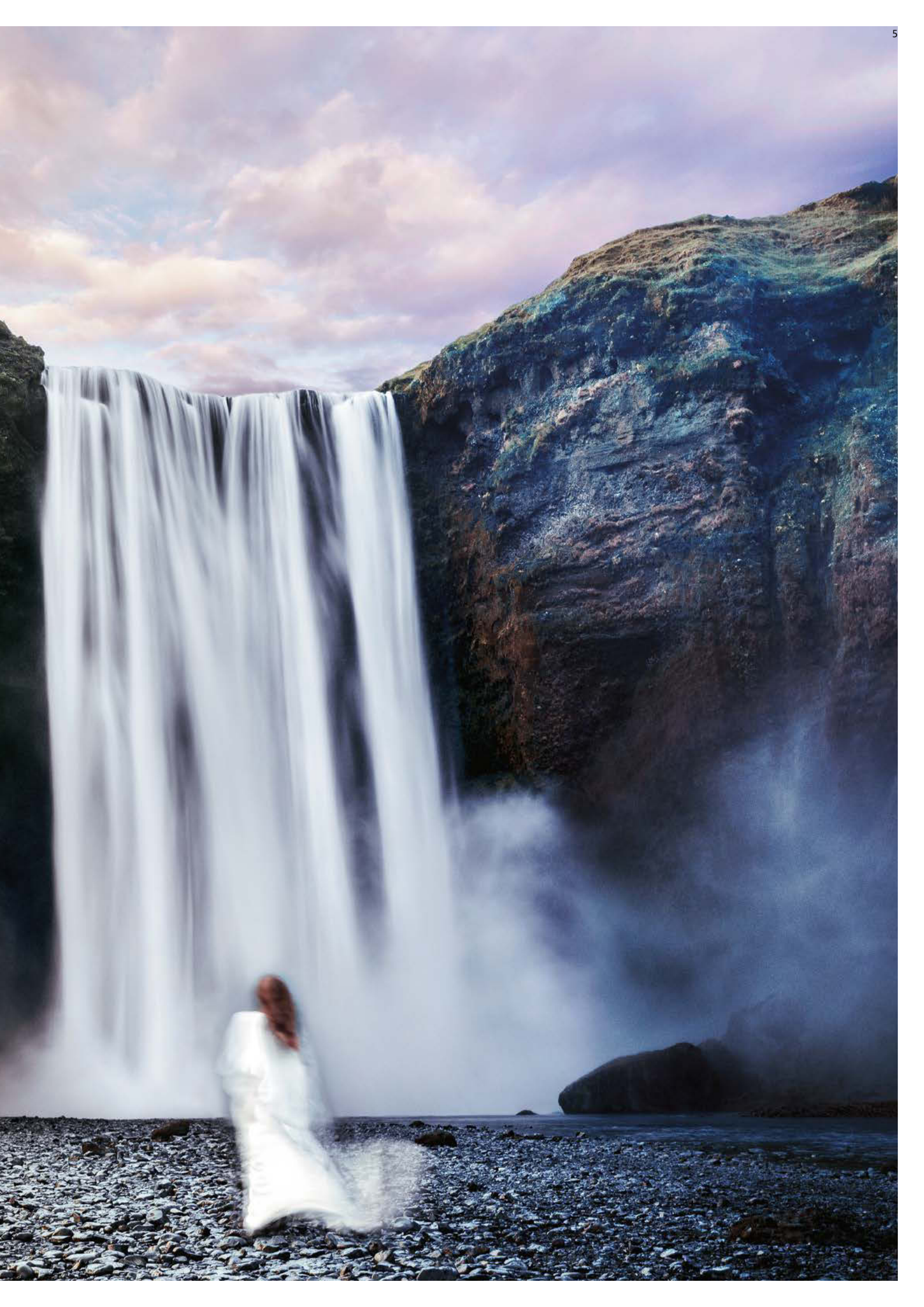


Active Light provides support in offices and classrooms. Different scenes promote creativity and concentration, activation and regeneration. In shops, it creates unforgettable moments by allowing the architecture and products to scintillate the senses. In art and cultural settings, it makes sure that works of art are seen in their best, authentic light. In industry, it provides the perfect conditions for quality testing and night work. In health and care, it helps to ensure the physical and psychological well-being of patients.

### **How do we do that?**

With our tunableWhite technology. It brings architecture and people together by adapting the light colour and intensity. Always with the aim of delivering Active Light. For greater comfort, health and happiness. In harmony with human visual, emotional and biological needs.





# Office

DIAMO  
tunableWhite 3 channel  
**Downlight with maximum brilliance –  
now with tunableWhite**

Nature and minimalism combined: Integrating tunableWhite technology enables the DIAMO to deliver the dynamics and quality of natural light. And creates a feel-good atmosphere. The 3-channel technology ensures colour consistency and optimum light quality.



Warm white (2700 K)



Daylight white (6500 K)



# Retail/Industry

## TECTON

E3D version

### Optimum safety guaranteed with emergency lighting

The new TECTON version ensures visibility at all times, even in an emergency. Equipped with a local battery supply, it boasts integrated emergency lighting that keeps shining for up to three hours in emergency operation – guaranteeing optimum safety.



## TECTON

MDH sensor

### Nothing goes unnoticed

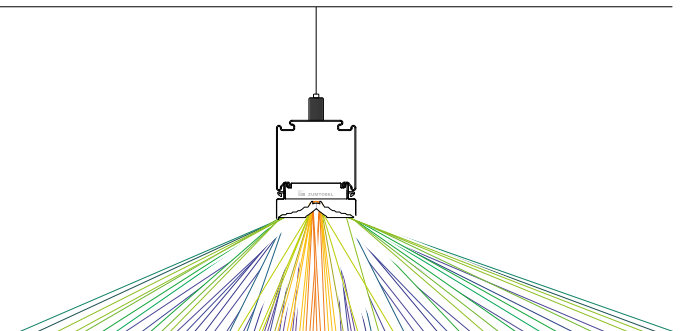
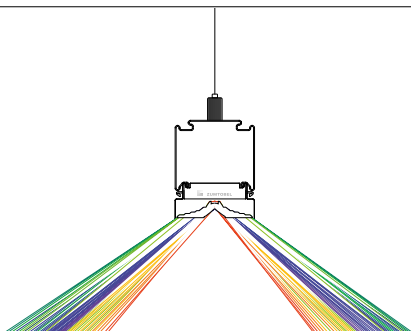
Responds to movement and daylight: The MDH sensor detects the smallest movements and brightness and automatically controls the light accordingly. The multisensor covers a circumference of up to 14 metres and a height of up to 10 metres.

## TECTON

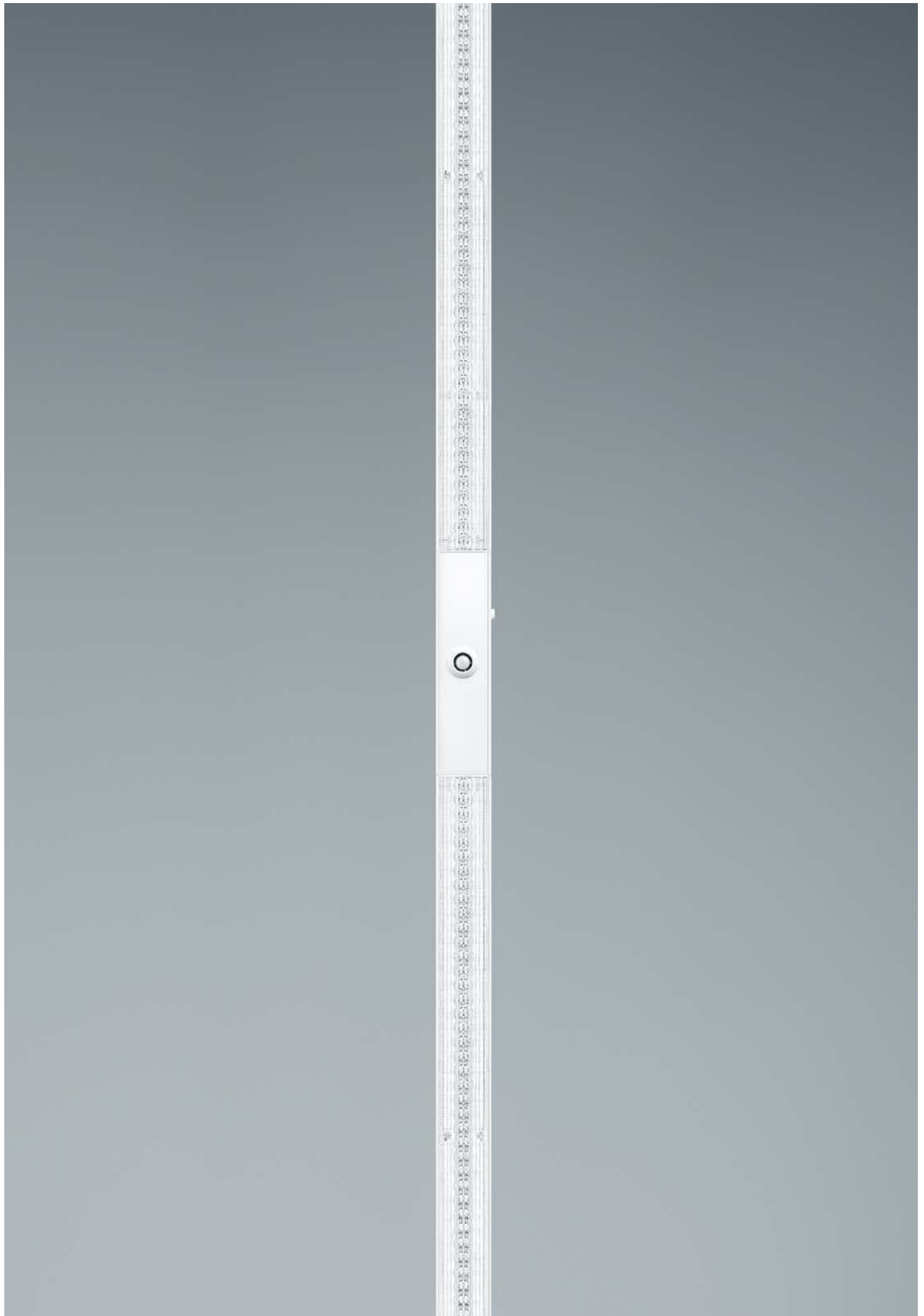
wide shelf beam and very wide beam

### New standards thanks to new optics

Wide – wider – TECTON: Two new optics, Wide Shelf Beam (WSB) and Very Wide Beam (VWB), expand the range of the continuous-row lighting system. The wide, double asymmetric distribution of the WSB optic provides consistent, even lighting in large corridors between shelves and in aisles. For main aisles and open areas, the very wide light beam of the VWB optic provides optimum light quality with a smaller number of luminaires.







# Industry



## CRAFT emergency

Local, independent and long-lasting: An integrated emergency battery takes over in the event of a power failure. Emergency operation is guaranteed for up to 3 hours with luminaires in sizes M and L at an ambient temperature of up to 35°C, helping to ensure optimum safety.

## CRAFT diffused glare for sports halls

Looking up is part of the game in many types of sport. The associated risk of direct glare is significantly reduced by CRAFT diffused glare. The special diffuser optic reduces the perceived luminance. Even when the light output is high. In combination with Lambertian light distribution, the best visual conditions are therefore guaranteed in sports halls, ensuring complete safety when serving the ball.



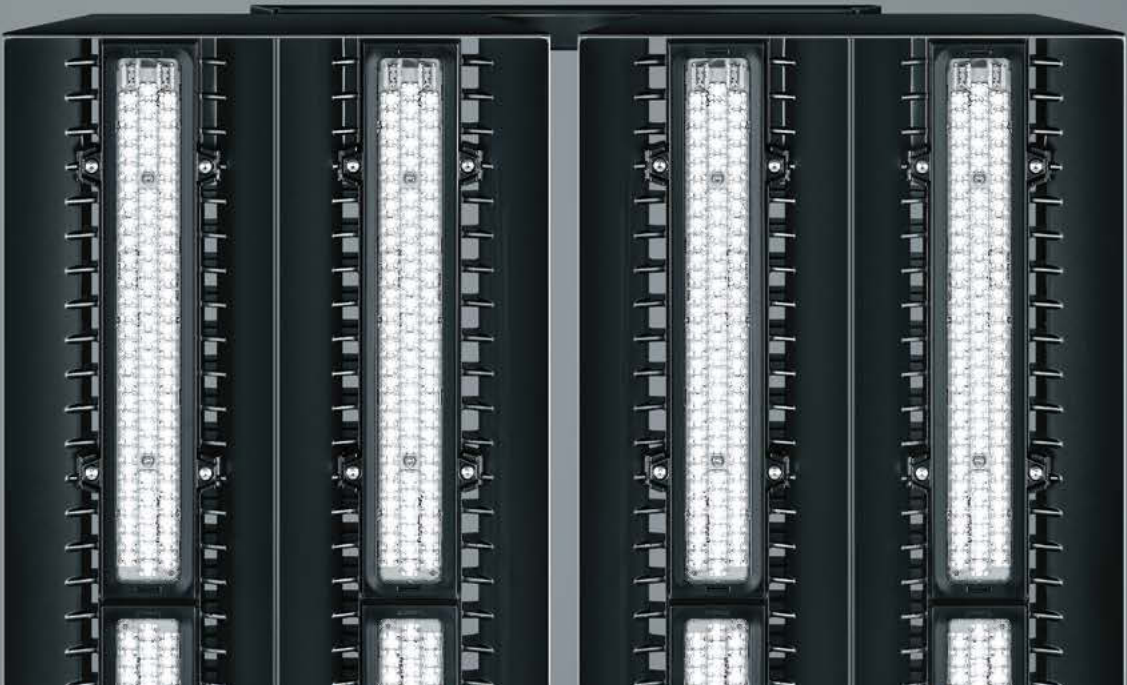
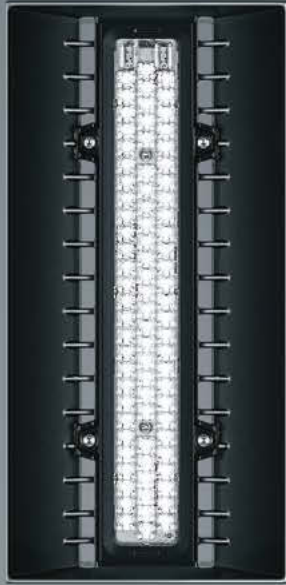
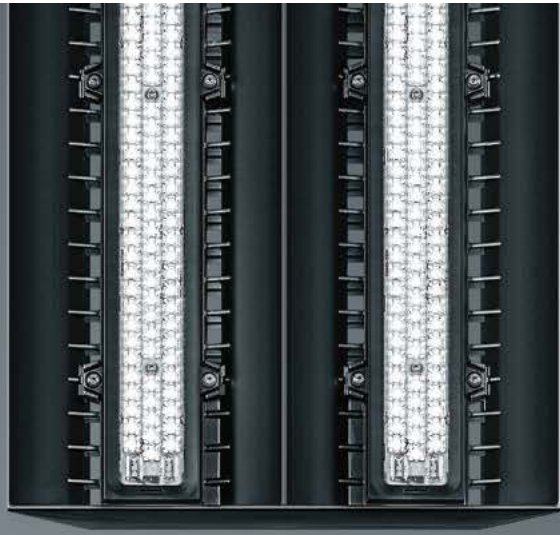
## CRAFT bmLINK

No cables, little effort and yet still full DALI compatibility: bmLINK wirelessly integrates luminaires into new or existing systems. There is even a choice between luminaires with a bmLINK module and fittings that feature both a bmLINK module and a combined presence and daylight sensor. Simple commissioning with a wireless device means that modern lighting control could hardly be easier.

## CRAFT XL

The powerhouse is now being launched on the market with a 4th size, as an XL version, with a significant lumen package of 68,000 lm.





# Industry



KXA-2 and KXB

## **Series for extreme conditions in industry**

Even under the most extreme conditions: The robust LED luminaires are the perfect solution for ATEX zones 1/21 (KXA) and 2/22 (KXB) and can easily withstand temperatures of  $-25^{\circ}\text{C}$  to  $+55^{\circ}\text{C}$ . Dirt and water stand no chance – perfect for use in unprotected indoor and outdoor areas. Reliable and robust.



# Emergency lighting

## RESCLITE PRO and RESCLITE PROtect Central battery version ECD and ECP **Emergency lighting in a new dimension**

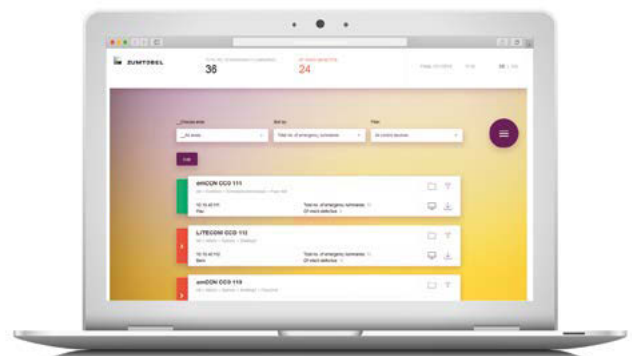
Power failures mean darkness? Not with RESCLITE PRO! The versatile RESCLITE PRO safety luminaire and robust RESCLITE PROtect will light the way. Now also available with two new power supply options: Central battery versions with power line (ECP) and DALI communication (ECD) expand the range.



## emCON

### **Central controller with everything in view**

Maintains an overview and keeps everything under control: emCON is the central point for monitoring self-contained emergency luminaires. It checks, visualises and logs. Status reports can also be sent by email – so nothing is missed.





kunstraum wijkrop



# Lighting management

## bmLINK

### The intelligent connectivity

No cables, minimal effort, excellent compatibility: bmLINK is the wireless solution for DALI systems like LITECOM. It can be implemented in new or existing systems. Simple yet groundbreaking, it is taking the luminaires in the CRAFT and TECTON family into the future.







## United Kingdom

ZG Lighting (UK) Limited  
Chiltern Park  
Chiltern Hill, Chalfont St. Peter  
Buckinghamshire SL9 9FG  
T +44/(0)1388 420 042  
info.uk@zumtobelgroup.com  
zumtobel.co.uk

## USA and Canada

Zumtobel Lighting Inc.  
3300 Route 9W  
Highland, NY 12528  
T +1/845/691 6262  
F +1/845/691 6289  
info.us@zumtobelgroup.com  
zumtobel.us

## Australia

ZG Lighting Australia Pty. Ltd.  
2/7 Millner Avenue,  
Horsley Park, NSW 2175  
T +61/1300 139 965  
info.au@zumtobelgroup.com  
zumtobel.com.au

## New Zealand

ZG Lighting (NZ) Limited  
27 Jomac Place,  
Avondale, Auckland 1026  
PO Box 71134, Rosebank,  
Auckland 1348  
T 0800 800 834  
T +64/(9) 828 7155  
F +64/(9) 820 7591  
info.nz@zumtobelgroup.com  
zumtobel.co.nz

## China

Thorn Lighting (Guangzhou) Limited  
12A Lian Yun Road  
Eastern Section,  
GETDD, Guangzhou  
510530, P.R. China  
T +86(20)2232 6000  
Sales Hotline: 400 8080 195  
info.cn@zumtobelgroup.com  
zumtobel.cn

## Hong Kong

ZG Lighting Hong Kong Ltd.  
Unit 503 – 508, 5/F, Building 16W,  
Phase 3, Hong Kong Science Park,  
New Territories, Hong Kong  
T +852/(0)2578 4303  
F +852/(0)2887 0247  
info.hk@zumtobelgroup.com

## Singapore

ZG Lighting Singapore Pte. Ltd.  
158 Kallang Way # 06-01/02  
Singapore 349245  
T +65/6844 5800  
F +65/6745 7707  
info.sg@zumtobelgroup.com

## United Arab Emirates

Zumtobel Lighting GmbH (Branch)  
4B Street, Al Quoz industrial area 1,  
P.O.Box: 22672, Dubai,  
United Arab Emirates  
T +971 4 340 4646  
info.ae@zumtobelgroup.com  
zumtobel.ae

## Qatar

ZG Lighting Trading WLL  
Abdul Jaleel Business Centre,  
Office No. 304, Najma Airport Road  
P.O.Box: 6026  
Doha, Qatar  
T +974 4 432 1445  
info.qa@zumtobelgroup.com  
zumtobel.ae

## Spain

ZG Lighting Iberia, S.L.  
C/ Inocencio Fernández, 81 Bajo C  
28035 Madrid  
T +34 916 593 076  
F +34 916 530 374  
info.es@zumtobelgroup.com  
www.zumtobel.es

## Romania

Zumtobel Lighting Romania SRL  
Radu Greceanu Street, no. 2,  
Ground Floor, sector 1  
012225 Bucharest  
T +40 31225 38 01  
F +40 31225 38 04  
info.ro@zumtobelgroup.com  
zumtobel.com

## Hungary

ZG Lighting Hungary Kft.  
Váci út 49  
1134 Budapest  
T +36/(1) 450 2490  
F +36/(1) 350 0829  
info.hu@zumtobelgroup.com  
zumtobel.hu

## Croatia

ZG Lighting d.o.o.  
Ulica Petra Hektorovića 2  
10000 Zagreb  
T +385/(1) 64 04 080  
F +385/(1) 64 04 090  
info.hr@zumtobelgroup.com

## Bosnia and Herzegovina

ZG Lighting d.o.o.  
Predstavništvo u BiH  
Zmaja od Bosne 7  
71000 Sarajevo  
T +387 33 590 463  
info.ba@zumtobelgroup.com

## Serbia

ZG Lighting d.o.o.  
Beton hala – Karadordeva 2-4  
11000 Belgrade  
M+381 69 54 44 802  
info.rs@zumtobelgroup.com

## Czech Republic

ZG Lighting Czech Republic s.r.o.  
Jankovcova 2  
Praha 7  
17000 Praha  
T +420 266 782 200  
F +420 266 782 201  
info.cz@zumtobelgroup.com  
zumtobel.cz

## Slovak Republic

ZG Lighting Slovakia s.r.o.  
Tomášikova 64  
831 04 Bratislava  
T +421 2 2030 0044  
info.sk@zumtobelgroup.com  
zumtobel.sk

## Poland

ZG Lighting Polska Sp. z o.o.  
Wołoska 9a  
Platinum Business Park III  
02-583 Warszawa  
T +48 22 856 74 31  
info.pl@zumtobelgroup.com  
zumtobel.pl

## Slovenia

ZG Lighting d.o.o.  
Štukljeva cesta 46  
1000 Ljubljana  
T +386/(1) 5609 820  
F +386/(1) 5609 866  
info.si@zumtobelgroup.com  
zumtobel.si

## Russia

ZG Svet JSC  
Official office Zumtobel Group  
Nizhniy Susalnyi pereulok,  
5/19, office 405  
105064 Moscow  
T +7/(495) 981 35 41  
T +7/(812) 604 02 60  
info.ru@zumtobelgroup.com  
zumtobel.ru

## Norway

ZG Lighting Norway AS  
Bygdøy allé 4  
0257 Oslo  
T +47 22 54 72 00  
info.no@zumtobelgroup.com  
zumtobel.no

## Sweden

ZG Lighting Nordic AB  
Hyllie Boulevard 10b  
215 32 Malmö  
T +46 649 20 00  
info.se@zumtobelgroup.com  
zumtobel.se

## Denmark

ZG Lighting Denmark A/S  
Stamholmen 155, 5. sal  
2650 Hvidovre  
T +45 35 43 70 00  
info.dk@zumtobelgroup.com  
zumtobel.dk

## Headquarters

Zumtobel Lighting GmbH  
Schweizer Strasse 30  
Postfach 72  
6851 Dornbirn, AUSTRIA  
T +43/(0)572/390-0  
info@zumtobel.info

## zumtobel.com

